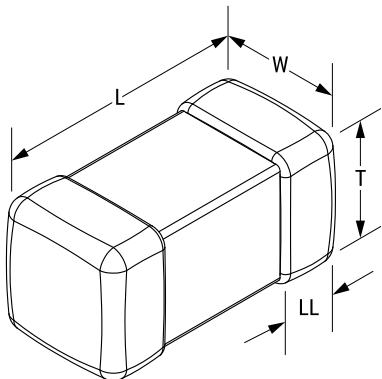


KEMET, Z-PMS, Ferrite Beads, Noise Suppression, 120 mOhms



General Information	
<b>Series:</b>	Z-PMS
<b>Style:</b>	SMD Chip
<b>Description:</b>	Chip Bead, Power Line
<b>Features:</b>	Increases The Z Characteristics Sharply Above 20MHz And Is Applicable For Radiated Noise In The 100MHz-300MHz Range, Especially Effective On Video Signals
<b>RoHS:</b>	Yes

Dimensions	
<b>Chip Size</b>	0402
<b>L</b>	1mm +/-0.05mm
<b>W</b>	0.5mm +/-0.05mm
<b>T</b>	0.5mm +/-0.05mm
<b>B</b>	0.25mm +/-0.1mm

Specifications	
<b>Impedance:</b>	120 Ohms (100 mHz)
<b>Impedance Tolerance:</b>	25%
<b>Ripple Current:</b>	1100 mA (MAX)
<b>Temperature Range:</b>	-55/+85°C
<b>Resistance:</b>	0.12 Ohms

Packaging Specifications	
<b>Packaging:</b>	T&R
<b>Packaging Quantity:</b>	10000

Statements of suitability for certain applications are based on our knowledge of typical operating conditions for such applications, but are not intended to constitute - and we specifically disclaim - any warranty concerning suitability for a specific customer application or use. This Information is intended for use only by customers who have the requisite experience and capability to determine the correct products for their application. Any technical advice inferred from this Information or otherwise provided by us with reference to the use of our products is given gratis, and we assume no obligation or liability for the advice given or results obtained.