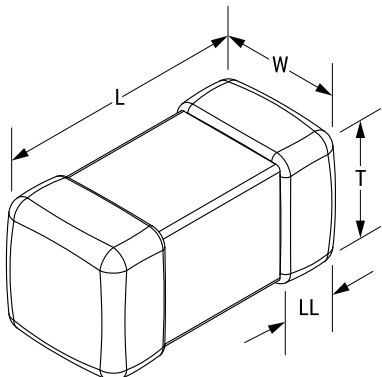


KEMET, Z-PMS, Ferrite Beads, Noise Suppression, 75 mOhms



Dimensions	
Chip Size	0805
L	2mm +0.3/-0.1mm
W	1.25mm +/-0.2mm
T	0.85mm +/-0.2mm
B	0.5mm +/-0.3mm

Packaging Specifications	
Packaging:	T&R
Packaging Quantity:	4000

General Information	
Series:	Z-PMS
Style:	SMD Chip
Description:	Chip Bead, Power Line
Features:	Suppresses The XL Component; Helps Stop The Reduction Of The Wave-Form Integrity
RoHS:	Yes

Specifications	
Impedance:	330 Ohms (100 mHz)
Impedance Tolerance:	25%
Ripple Current:	1500 mA (MAX)
Temperature Range:	-55/+85°C
Resistance:	0.075 Ohms