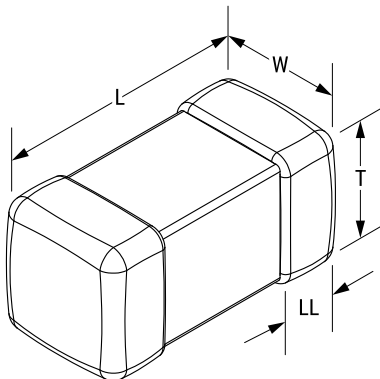


KEMET, Z-SMS, Ferrite Beads, Noise Suppression, 1.5 Ohms



Dimensions	
Chip Size	0201
L	0.6mm +/-0.03mm
W	0.3mm +/-0.03mm
T	0.3mm +/-0.03mm
B	0.15mm +/-0.05mm

Packaging Specifications	
Packaging:	T&R
Packaging Quantity:	15000

General Information	
Series:	Z-SMS
Style:	SMD Chip
Description:	Chip Bead Signal Line
Features:	Designed As A Noise Countermeasure For 200MHz-500MHz Range Where The Rise Of The Z Component Is In The High Frequency Area
RoHS:	Yes

Specifications	
Impedance:	120 Ohms (100 mHz)
Impedance Tolerance:	25%
Ripple Current:	100 mA (MAX)
Temperature Range:	-55/+125°C
Resistance:	1.5 Ohms