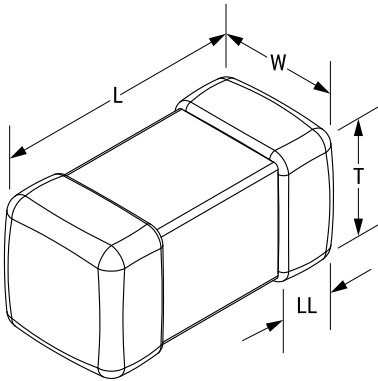


KEMET, Z-SMS, Ferrite Beads, Noise Suppression, 900 mOhms



Dimensions	
Chip Size	0402
L	1mm +/-0.05mm
W	0.5mm +/-0.05mm
T	0.5mm +/-0.05mm
B	0.25mm +/-0.1mm

Packaging Specifications	
Packaging:	T&R
Packaging Quantity:	10000

General Information	
Series:	Z-SMS
Style:	SMD Chip
Description:	Chip Bead Signal Line
Features:	Intended For Noise Suppression Around 200MHz, Effectively Increase Attenuation
RoHS:	Yes

Specifications	
Impedance:	1800 Ohms (100 mHz)
Impedance Tolerance:	25%
Ripple Current:	120 mA (MAX)
Temperature Range:	-55/+125°C
Resistance:	0.9 Ohms

Statements of suitability for certain applications are based on our knowledge of typical operating conditions for such applications, but are not intended to constitute - and we specifically disclaim - any warranty concerning suitability for a specific customer application or use. This Information is intended for use only by customers who have the requisite experience and capability to determine the correct products for their application. Any technical advice inferred from this Information or otherwise provided by us with reference to the use of our products is given gratis, and we assume no obligation or liability for the advice given or results obtained.