



CorePro LEDspot LV

CorePro LED spot ND 5-35W MR16 840 36D

CorePro LEDspots are a perfect fit for spot lighting and deliver warm halogen-like light. They are compatible with most existing fixtures with MR16 GU5.3 holders and are designed as a retrofit replacement for halogen or incandescent spots. CorePro LEDspots deliver huge energy savings and minimize maintenance cost.

Product data

General Information	
Cap-Base	GU5.3 [GU5.3]
EU RoHS compliant	Yes
Nominal Lifetime (Nom)	15000 h
Switching Cycle	50000X
Technical Type	5-35W
Light Technical	
Color Code	840 [CCT of 4000K]
Beam Angle (Nom)	36 °
Luminous Flux (Nom)	390 lm
Luminous Intensity (Nom)	650 cd
Color Designation	Cool White (CW)
Correlated Color Temperature (Nom)	4000 K
Luminous Efficacy (rated) (Nom)	78.00 lm/W
Color Consistency	<6
Color Rendering Index (Nom)	80
LLMF At End Of Nominal Lifetime (Nom)	70 %
Luminous Flux in 90° Cone (Rated)	390 lm
Operating and Electrical	
Input Frequency	- Hz
Power (Nom)	5 W

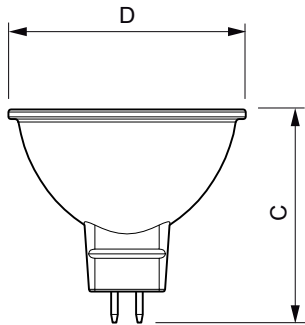
Lamp Current (Nom)	575 mA
Wattage Equivalent	35 W
Starting Time (Nom)	0.5 s
Warm Up Time to 60% Light (Nom)	0.5 s
Power Factor (Nom)	0.6
Voltage (Nom)	12 V
Temperature	
T-Case Maximum (Nom)	82 °C
Controls and Dimming	
Dimmable	No
Approval and Application	
Energy Efficiency Label (EEL)	A+
Suitable For Accent Lighting	Yes
Energy Consumption kWh/1000 h	6 kWh
Product Data	
Full product code	871869671065400
Order product name	CorePro LED spot ND 5-35W MR16 840 36D
EAN/UPC - Product	8718696710654
Order code	929001344502

CorePro LEDspot LV

Numerator - Quantity Per Pack	1
Numerator - Packs per outer box	10
Material Nr. (12NC)	929001344502

Net Weight (Piece)	0.045 kg
--------------------	----------

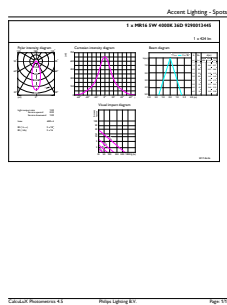
Dimensional drawing



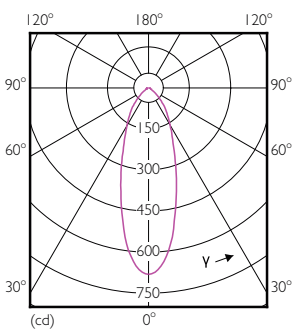
MR16 12V ACV 4.7-35W 450lm 36D 4000K ND

Product	D	C
CorePro LED spot ND 5-35W MR16 840 36D	51 mm	46 mm

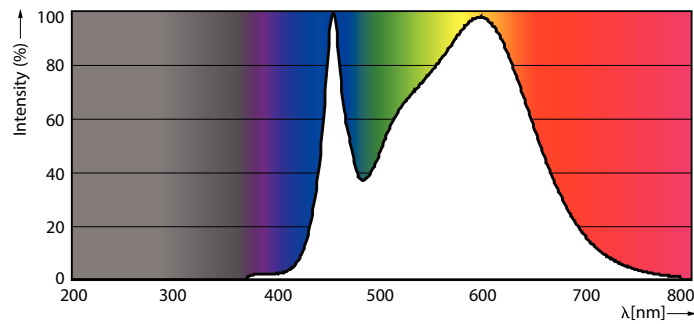
Photometric data



CorePro LEDspotLV 35W GU5-3 840 36D



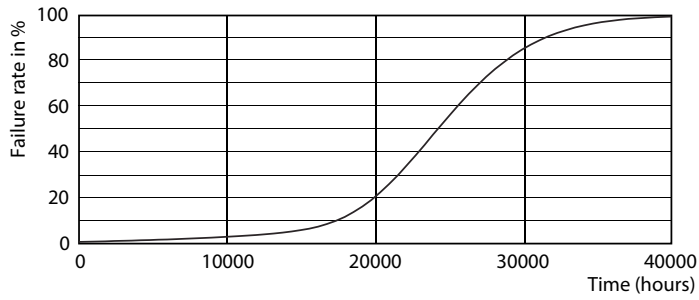
CorePro LEDspotLV 35W GU5-3 840 36D



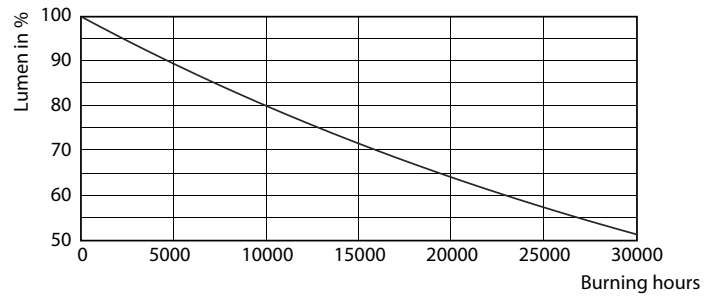
CorePro LEDspotLV 35W GU5-3 840 36D

CorePro LEDspot LV

Lifetime



CorePro LEDspotLV 20W GU5-3 827 36D



CorePro LEDspotLV 20W GU5-3 827 36D

