



Ledinaire Downlight DN029B

DN029B LED8/CCT 8W 220-240V D90 EU

Apply the perfect color temperature with the 3-color dip switch and enjoy hassle-free installation. The downlight is fully IC compliant and provides high energy savings without compromising on light quality.

Product data

General Information	
Light source color	3000K/4300K/6500K
Light source replaceable	No
Number of gear units	1 unit
Driver/power unit/transformer	Power supply unit
Driver included	Yes
Optic type	Beam angle 100°
Control interface	-
Connection	Fly-wire with screw 2 pin terminal + terminal box
Cable	Cable 0.2 m with cable connector
Protection class IEC	Safety class II
Glow-wire test	Temperature 650 °C, duration 30 s
Flammability mark	For mounting on normally flammable surfaces
Warranty period	3 years
Constant light output	No
Number of products on MCB of 16 A type B	265

EU RoHS compliant	Yes
Operating and Electrical	
Input Voltage	220 to 240 V
Input Frequency	50 or 60 Hz
Inrush current	2.5 A
Inrush time	0.16 ms
Power Factor (Min)	0.8
Controls and Dimming	
Dimmable	No
Mechanical and Housing	
Housing Material	Plastic
Optic material	Polycarbonate
Optical cover/lens material	Polycarbonate
Fixation material	Stainless steel
Optical cover/lens finish	Frosted
Overall height	63 mm
Overall diameter	115 mm

Ledinaire Downlight DN029B

Color	White
Dimensions (Height x Width x Depth)	63 x NaN x NaN mm (2.5 x NaN x NaN in)
Approval and Application	
Ingress protection code	IP20/44 [Finger-protected; wire-protected, splash-proof]
Mech. impact protection code	IK03 [0.3 J]
Initial Performance (IEC Compliant)	
Luminous flux tolerance	+/-10%
Initial LED luminaire efficacy	100.00 lm/W
Init. Color Rendering Index	80
Initial chromaticity	(3000K@x=, 0.4339y=, 0.40334300K@x=0.3647y=0.36076500K@x=0.3123y=0.3284) 5SDCM
Initial input power	8.5 W
Power consumption tolerance	+/-10%

Over Time Performance (IEC Compliant)

Median useful life	35000 h
L70B50	

Application Conditions

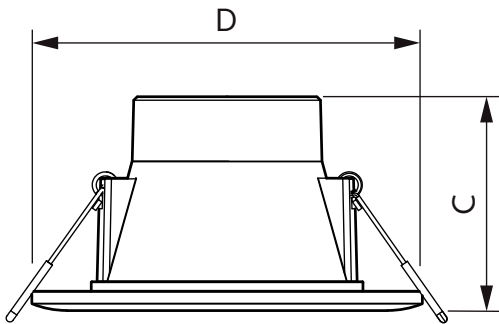
Ambient temperature range	-20 to +40 °C
Maximum dim level	Not applicable

Product Data

Full product code	871869966018500
Order product name	DN029B LED8/CCT 8W 220-240V D90 EU
EAN/UPC - Product	8718699660185
Order code	929002066119
Numerator - Quantity Per Pack	1
Numerator - Packs per outer box	24
Material Nr. (12NC)	929002066119
Net Weight (Piece)	0.220 kg



Dimensional drawing



DN029B D90 220-240V 8W 800lm

Product

DN029B LED8/CCT 8W 220-240V D90 EU

