



Ledinaire Wall-mounted WL060V

WL060V LED11S/840 PSU II WH

840 neutral white - Power supply unit - Safety class II - White

The Ledinaire range contains a selection of popular off-the-shelf LED luminaires, each of which come with the high Philips quality levels and competitive price. Reliable, energy-efficient and affordable – just what you need.

Product data

General Information		Remarks	
Beam angle of light source	120 °	*-Per Lighting Europe guidance paper "Evaluating performance of LED based luminaires - January 2018": statistically there is no relevant difference in lumen maintenance between B50 and for example B10. Therefore, the median useful life (B50) value also represents the B10 value.	
Light source color	840 neutral white		
Light source replaceable	No		
Number of gear units	1 unit		
Driver/power unit/transformer	Power supply unit		
Driver included	Yes		
Optic type	Beam angle 120°		
Luminaire light beam spread	120°		
Control interface	-		
Connection	Push-in connector 3-pole		
Cable	-	Constant light output	No
Protection class IEC	Safety class II	Number of products on MCB of 16 A type B	50
Glow-wire test	Temperature 650 °C, duration 30 s	EU RoHS compliant	Yes
Flammability mark	-	Operating and Electrical	
CE mark	CE mark	Input Voltage	220-240 V
ENEC mark	-	Input Frequency	50 to 60 Hz
Warranty period	3 years	Inrush current	3.24 A
		Inrush time	0.043 ms
		Power Factor (Min)	0.9

Ledinaire Wall-mounted WL060V

Controls and Dimming

Dimmable	No
----------	----

Mechanical and Housing

Housing Material	Polypropylene
Reflector material	Polycarbonate
Optic material	Polymethyl methacrylate
Optical cover/lens material	Polymethyl methacrylate
Fixation material	-
Optical cover/lens finish	Opal
Overall length	285 mm
Overall width	285 mm
Overall height	88 mm
Overall diameter	285 mm
Color	White
Dimensions (Height x Width x Depth)	88 x 285 x 285 mm (3.5 x 11.2 x 11.2 in)

Approval and Application

Ingress protection code	IP44 [Wire-protected, splash-proof]
Mech. impact protection code	IK03 [0.3 J]

Initial Performance (IEC Compliant)

Initial luminous flux (system flux)	1100 lm
Luminous flux tolerance	+/-10%
Initial LED luminaire efficacy	90 lm/W
Init. Corr. Color Temperature	4000 K
Init. Color Rendering Index	>80
Initial chromaticity	(0.38, 0.38) SDCM ≤5

Initial input power	12 W
Power consumption tolerance	+/-10%

Over Time Performance (IEC Compliant)

Control gear failure rate at median useful life 50000 h	2.24 %
Lumen maintenance at median useful life* 50000 h	L70

Application Conditions

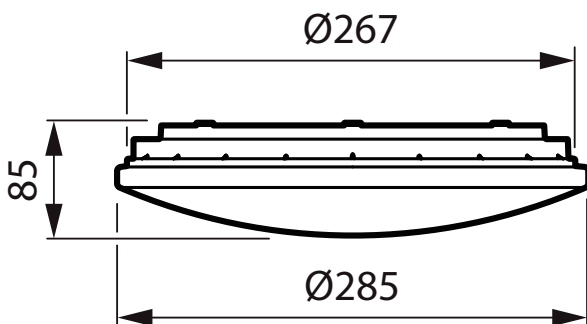
Ambient temperature range	-20 to +40 °C
Performance ambient temperature Tq	25 °C
Maximum dim level	Not applicable
Suitable for random switching	Not applicable

Product Data

Full product code	871016333910899
Order product name	WL060V LED11S/840 PSU II WH
EAN/UPC - Product	8710163339108
Order code	911401802180
Numerator - Quantity Per Pack	1
Numerator - Packs per outer box	5
Material Nr. (12NC)	911401802180
Net Weight (Piece)	0.410 kg



Dimensional drawing



Ledinaire Wall-mounted WL060V/WL055V

Ledinaire Wall-mounted WLO60V

