



# CorePro LEDbulb

## CorePro LEDbulb ND 8-60W A60 B22 827

LEDbulbs are compatible with existing fixtures with an E27 holder and are designed for retrofit replacement of incandescent bulbs.

### Product data

General Information	
Cap base	B22 [ B22]
EU RoHS compliant	Yes
Nominal lifetime (nom.)	15000 h
Switching cycle	50,000X
Technical type	8-60W
Light Technical	
Colour code	827 [ CCT of 2,700 K]
Beam Angle (Nom)	200 °
Luminous flux (nom.)	806 lm
Colour designation	Warm white (WW)
Correlated Colour Temperature (Nom)	2700 K
Luminous efficacy (rated) (nom.)	100.00 lm/W
Colour consistency	<6
Color rendering index (nom.)	80
LLMF at end of nominal lifetime (nom.)	70 %
Operating and Electrical	
Input frequency	50 to 60 Hz
Power (Rated) (Nom)	8 W
Lamp current (nom.)	75 mA
Wattage equivalent	60 W
Starting time (nom.)	0.5 s
Warm-up time to 60% light (nom.)	0.5 s

Power factor (nom.)	0.5
Voltage (Nom)	220-240 V
Temperature	
T-Case maximum (nom.)	85 °C
Controls and Dimming	
Dimmable	No
Mechanical and Housing	
Bulb finish	Frosted
Approval and Application	
Energy efficiency label (EEL)	A+
Energy Consumption kWh/1000 h	8 kWh
Product Data	
Full product code	871869657763900
Order product name	CorePro LEDbulb ND 8-60W A60 B22 827
EAN/UPC – product	8718696577639
Order code	57763900
Numerator – quantity per pack	1
Numerator – packs per outer box	10
Material no. (12NC)	929001233902
Net weight (piece)	0.080 kg

# CorePro LEDbulb

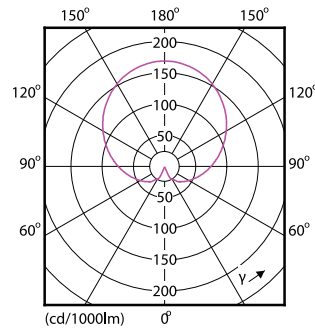
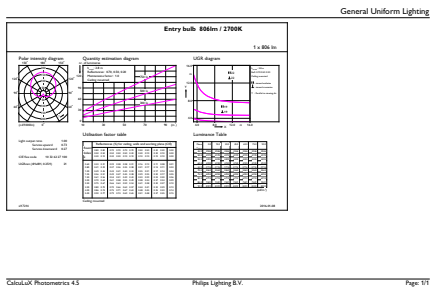
## Dimensional drawing

D

Product	D	C
CorePro LEDbulb ND 8-60W A60 B22 827	60 mm	110 mm

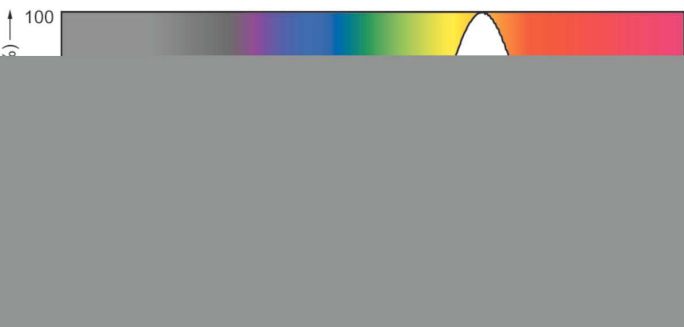
Entrybulb 230V 8W-60W 806lm 2700K B22 ND

## Photometric data



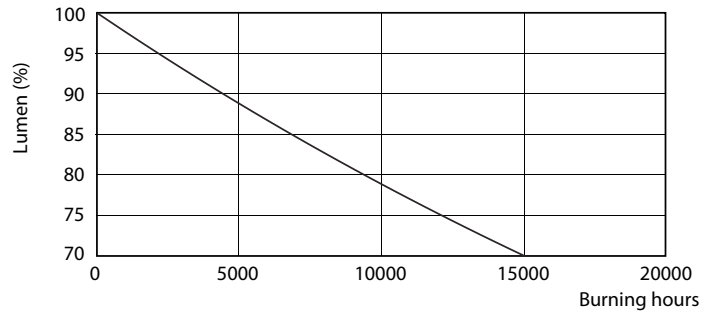
CorePro LEDbulb ND 8-60W A60

CorePro LEDbulb ND 8-60W A60



# CorePro LEDbulb

## Lifetime



LEDbulb 40W E27 830 FR A60

LEDbulb 40W E27 830 FR A60

