



Pushing Performance

# HARTING Product Change Notification

PCN

**Business Unit:** Electric

**PCN/19/029/C+N**

**Product range:** Han / Han B

**Date:** 2020-01-07

**Author:** Gero Degner

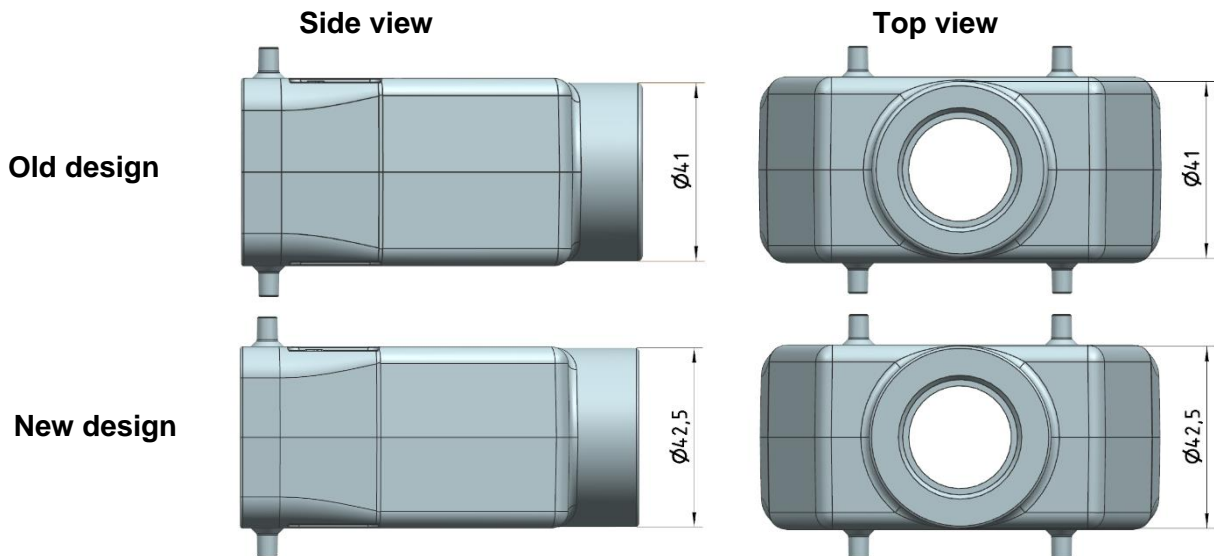
**Title:** Dimension change of Han 16B and Han 24B hood - External

## Details of Product Changes

### 1. Concerned part number (see also attachment):

09307160420	09300160430SSL	09300160751	09300240431YYC	09300240731YYC
19300160422	09300160440	09300160441YYC	09300240440	
09300160420	09300160730	09300160731YYC	09300240730	
09300160430	09300160750	09300160751YYC	09300240440YYC	
09300160420YYC	09300160440YYC	09300240430	09300240730YYC	
09300160430YYC	09300160730YYC	19300240422	09300240441	
09307160421	09300160750YYC	09300240420	09300240444	
09300160421	10300160001	09300240430YYC	09300240731	
09300160431	09307160441	09300240420YYC	09300240751	
09300160421YYC	09307160731	58405000062	09307240731	
09300160431YYC	09628160421	09300240431	09628240421	
09307160440	09300160441	09307240421	09300240441YYC	
09307160730	0930016044130	09300240421	09300240445YYC	
09300160430ML	09300160731	09300240421YYC	09300240731YYC	

### 2. Description of changes / news:



The dimension of the socket will be changed from 41 mm to 42,5 mm. We implement the change to offer more bearing surface for the cable gland.

### 3. Impact on product specification:

The technical characteristics are not affected by these change.



Pushing Performance

# HARTING Product Change Notification

**PCN**

## 4. Scheduled date of implementation:

YYC parts: December 2019  
Non YYC parts: January 2020

## 5. Identification of change:

The part numbers remain unaffected.