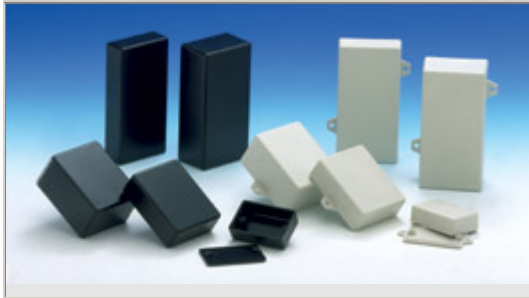


SMART



- High-impact polystyrene enclosure with rounded corners. Easy assembly. Matt surfaces finish. The models "-E" have mounting ears.
- Options: Flame retardant materials, CNC machining, punching, EMI-RFI shielding, silk-screening.

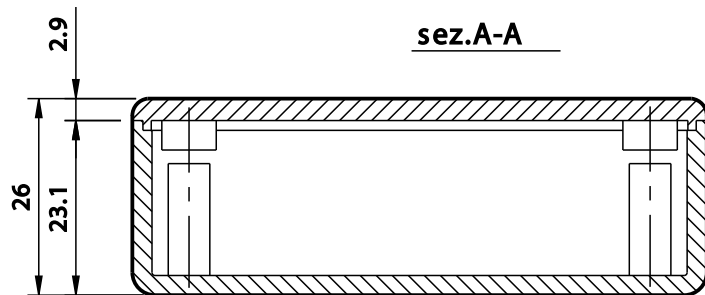
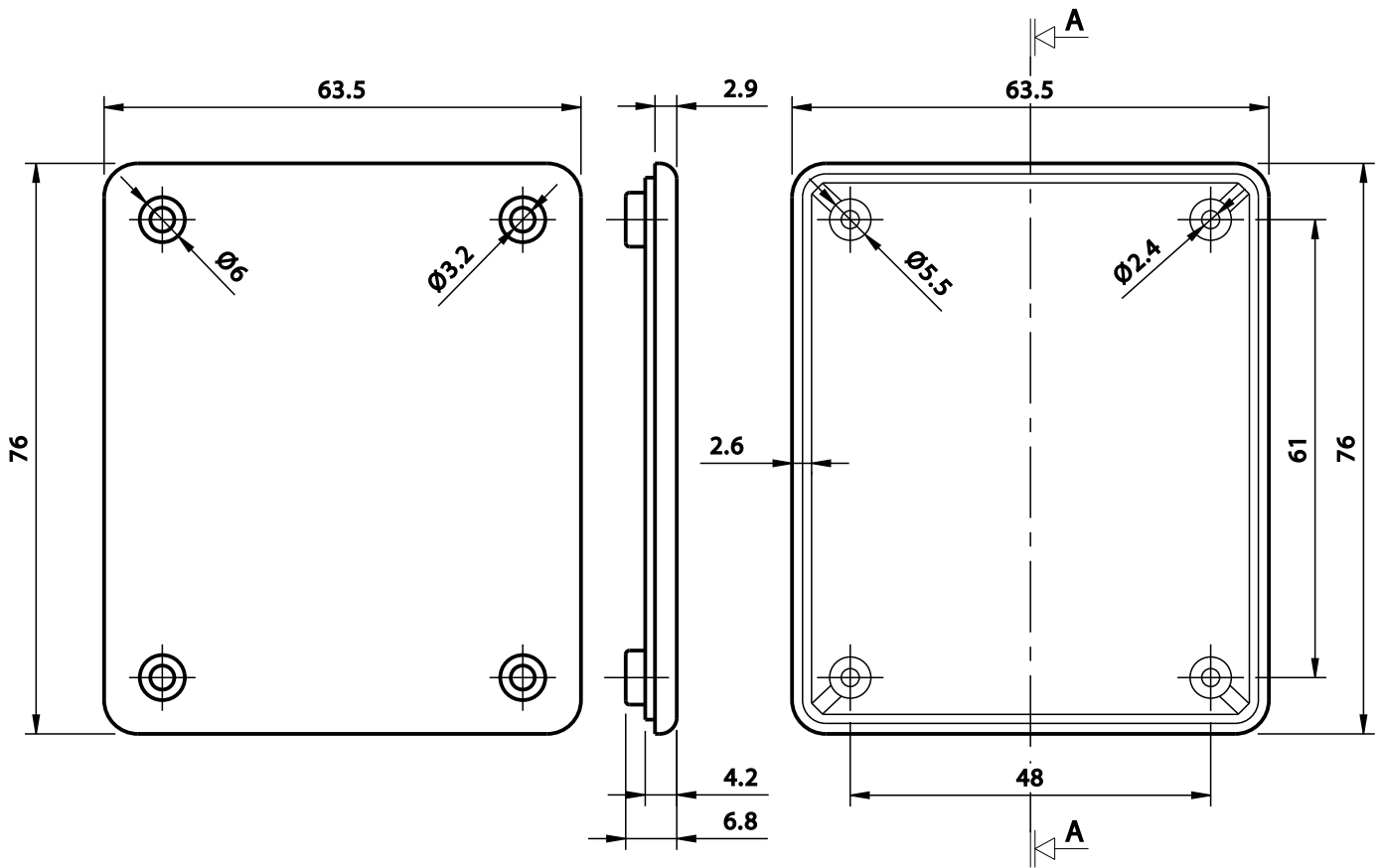
COLOURS

.7 (White RAL 9002)

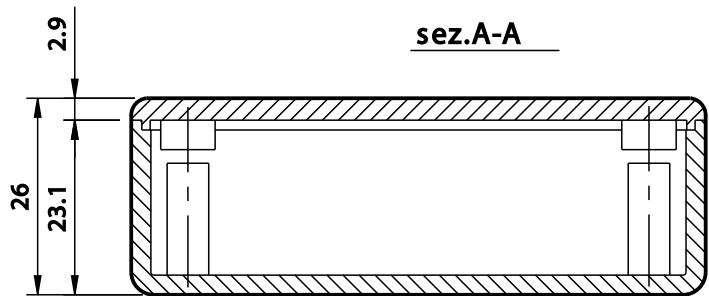
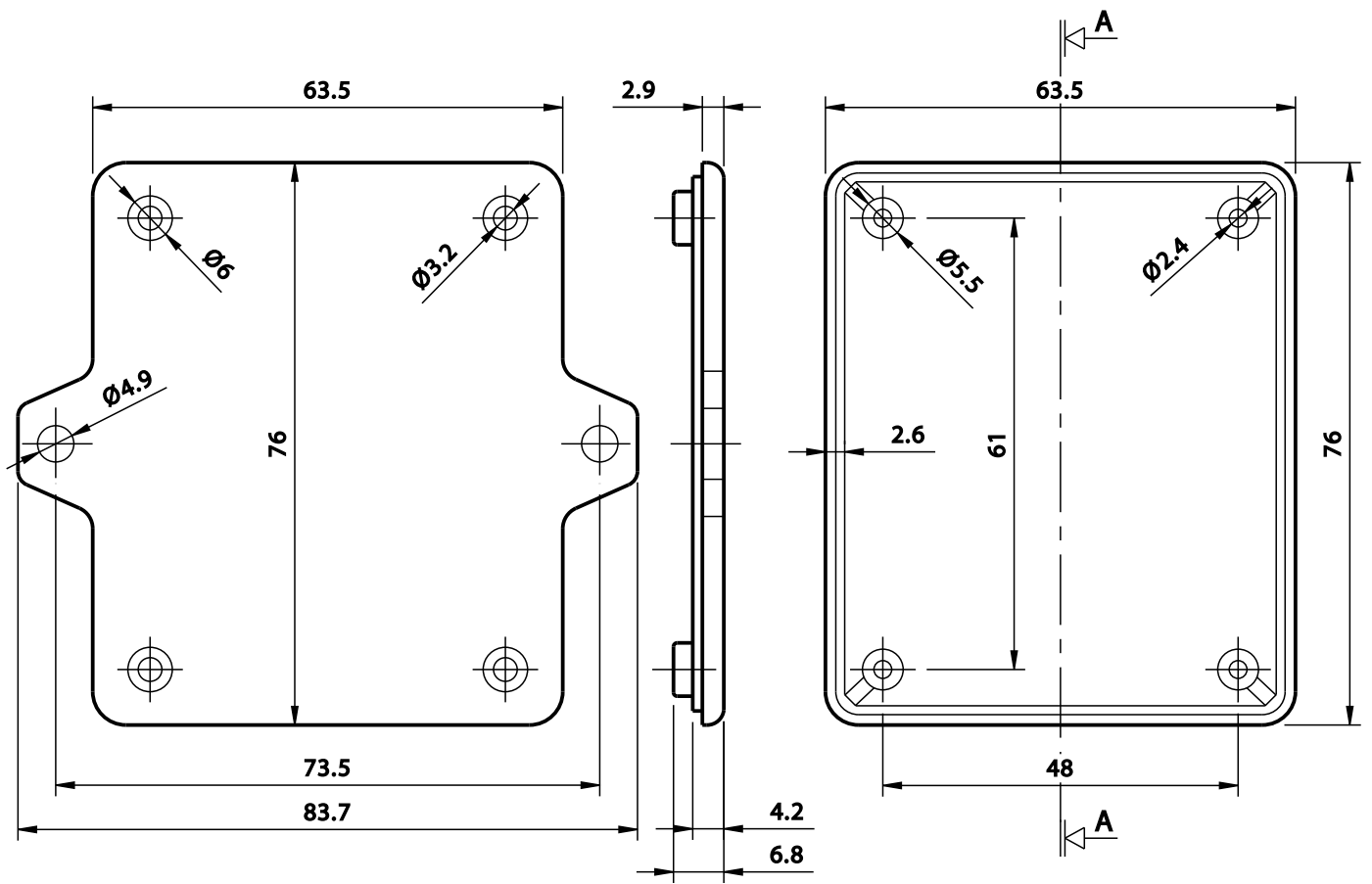
.9 (Black RAL 9004)

	MODEL	DIMENSIONS mm.		
		L	W	H
↓	SR01 .7 • SR01-E .7	57.0	38.0	20.0
	SR01 .9 • SR01-E .9	57.0	38.0	20.0
↓	SR22 .7 • SR22-E .7	76.0	63.5	26.0
	SR22 .9 • SR22-E .9	76.0	63.5	26.0
↓	SR23 .7 • SR23-E .7	76.0	63.5	41.0
	SR23 .9 • SR23-E .9	76.0	63.5	41.0
↓	SR33 .7 • SR33-E .7	128.0	64.0	26.0
	SR33 .9 • SR33-E .9	128.0	64.0	26.0
↓	SR34 .7 • SR34-E .7	128.0	64.0	41.0
	SR34 .9 • SR34-E .9	128.0	64.0	41.0

[Download Acrobat ® PDF Drawing](#)



SR22



SR22-E