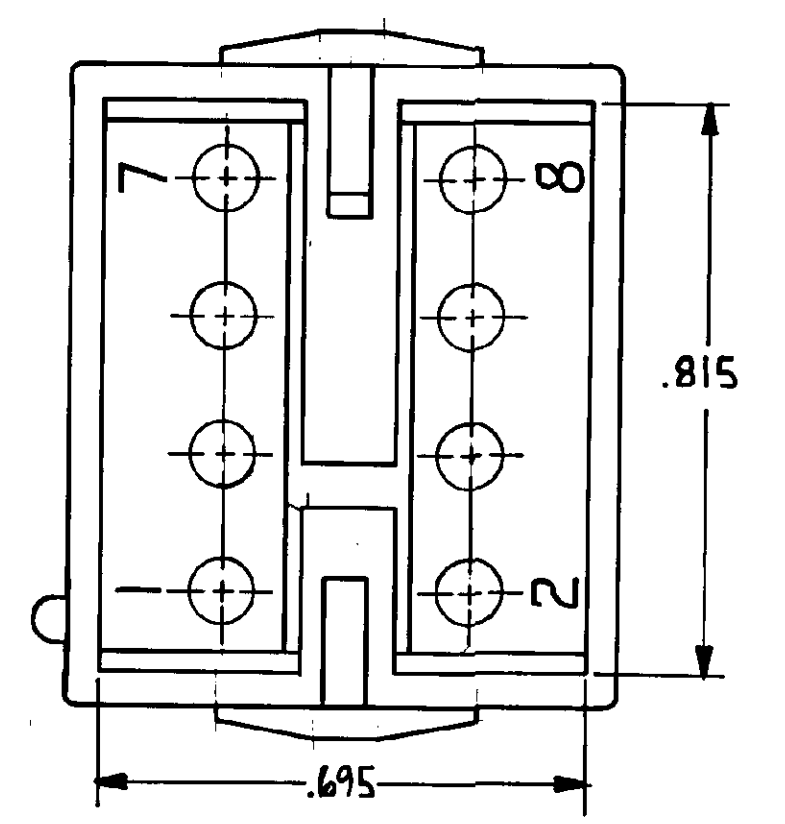
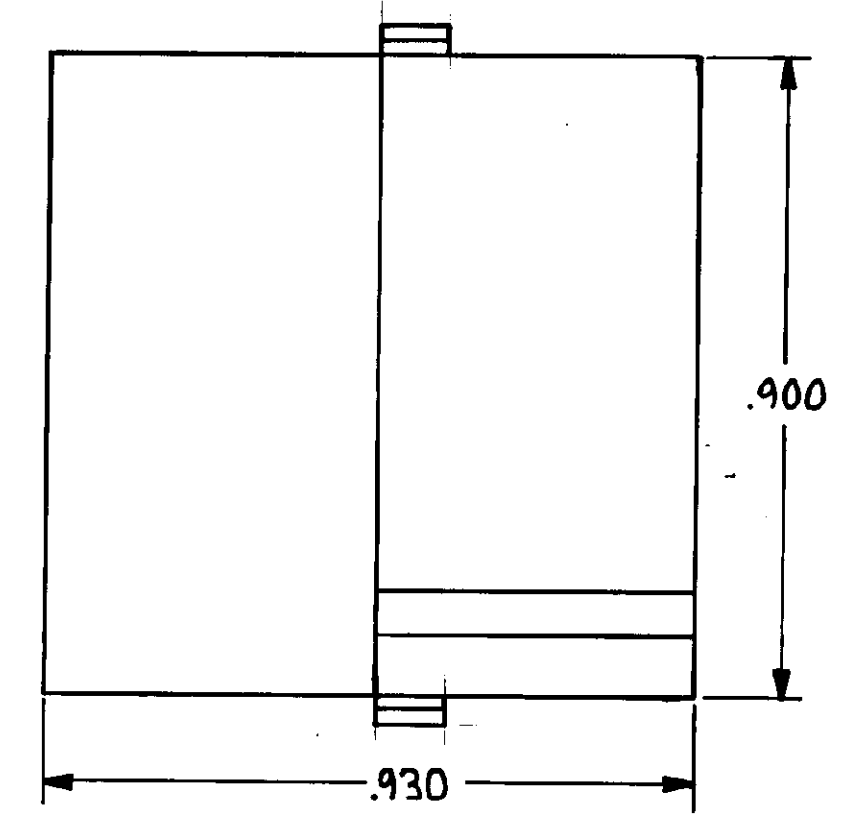
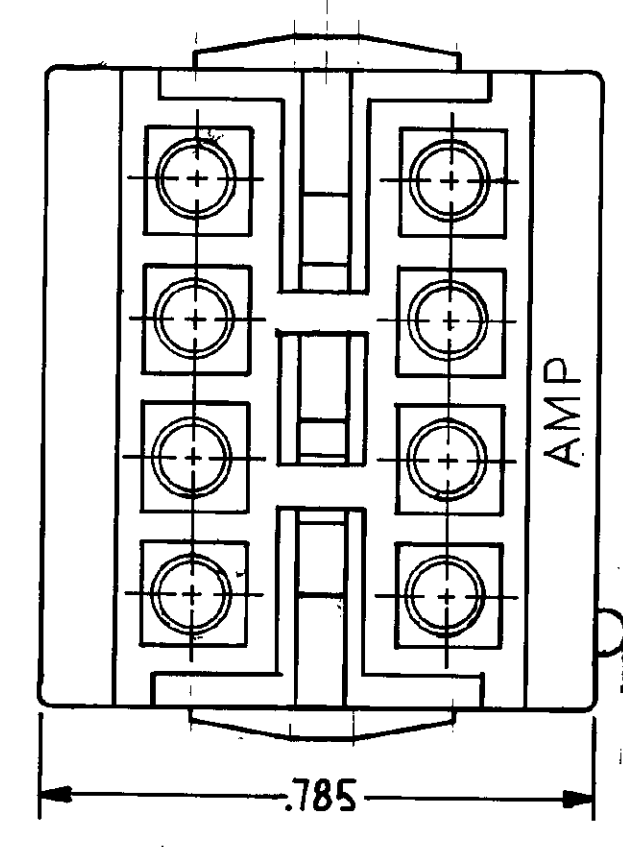
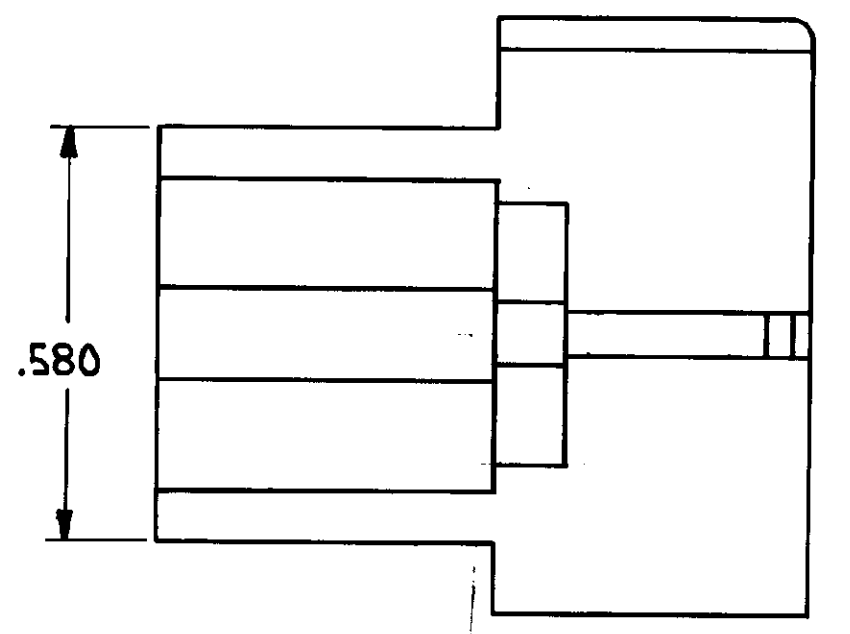


REVISIONS				DATE	APPROVED
✓		G	REV PER EC0L30-0045-96	9-19-96	JH/RS



- PART MATES WITH PLUG NO. 480283.
- TO BE USED WITH APPROPRIATE COMMERCIAL MATE-N-LOK™ PINS.



UNLESS OTHERWISE SPECIFIED DIMENSIONS ARE IN INCHES. TOLERANCES ON: DECIMALS ± .005 ANGLES ±		CONTRACT NO. DR <i>A. Edwards</i> 8-20-87 CHK <i>R. Smith</i> 10-1-87 APPD <i>M. Stone</i> 10-1-87	AMP   AMP INCORPORATED Harrisburg, Pa. 17105	
MATERIAL NYLON UL94V-2	COLOR NATURAL	OSGN APPD OTHER APPD	NAME CAP, 8 CIRCUIT, MATE-N-LOK™	1-480345-0 PART NO
SIZE D	FSCM NO 00779	DRAWING NO 480345	SCALE 4:1 SHEET 1 OF 1	

CUSTOMER DRAWING