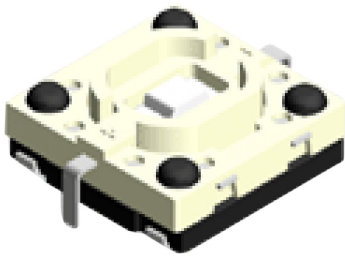


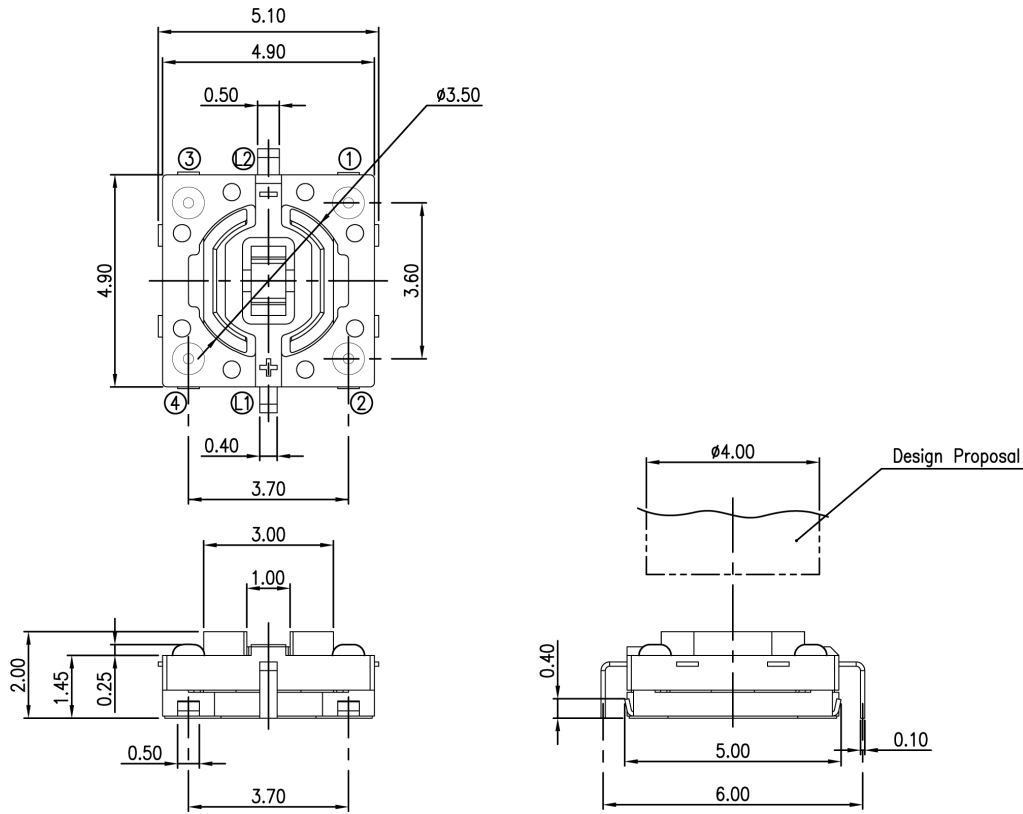
Tact Switches Illuminated

multicomp PRO



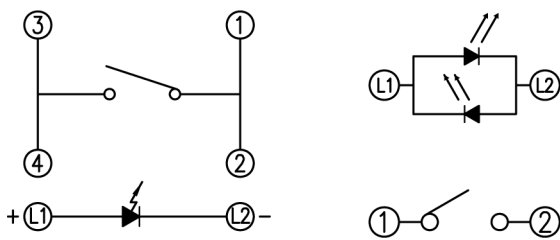
Specifications:

Rating	: 50mA, DC 12V
Contact Resistance	: 100mΩ Max.
Insulation Resistance	: DC 500V 1M±5s 100MΩ
Dielectric Strength	: AC 250V 1M±5s
Operating Force(OF)	: 160/180±50gf
Life	: 1,000,000 Cycles for 160g 500,000 Cycles for 180g
Operating Temperature Range	: -40°C to +85°C
Storage Temperature Range	: -40°C to +85°C



Dimensions : Millimetres
General Tolerances: $\pm 0.2\text{mm}$

Circuit



Newark.com/multicomp-pro
Farnell.com/multicomp-pro
Element14.com/multicomp-pro

multicomp PRO

Tact Switches Illuminated

multicomp PRO

MCML4 - L 1 2 W Q R

Tact Switch +LED

Solder Type: L= J Bending Terminal

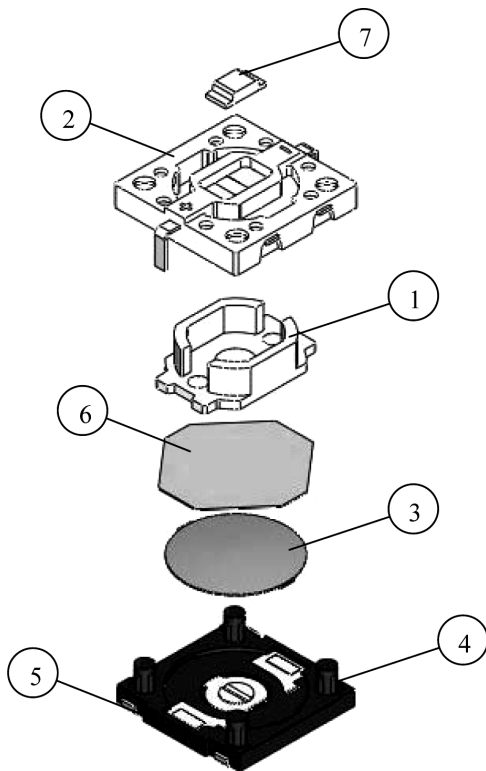
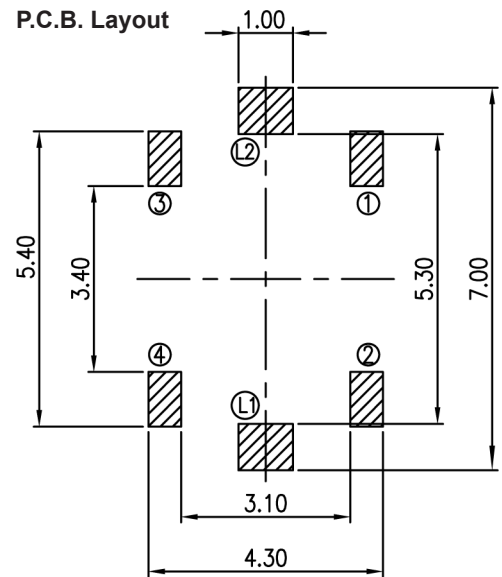
Height: 1 = 2mm

Operation Force: 2 = 160/180gf

LED Colour: W= White
B=Blue
R=Red

Q=Halogen Free

Package: R= Tape & Reel



Item	Desc.	Q'ty	Materials	Treatment
1	Stem	1	High Temp Thermoplastic Nylon	White
2	Cover		High Temp Thermoplastic Nylon	White
3	Contact		Stainless Steel	With Silver Cladding
4	Base		High Temp Thermoplastic Nylon	Black
5	Terminal		Brass	With Silver Plating
6	Tape		Kapton	-
7	Led		-	-

Part Number Table

Description	Part Number
Tact Switches, Illuminated	MCML4L12WQR
	MCML4L12RQR
	MCML4L12BQR

Important Notice : This data sheet and its contents (the "Information") belong to the members of the AVNET group of companies (the "Group") or are licensed to it. No licence is granted for the use of it other than for information purposes in connection with the products to which it relates. No licence of any intellectual property rights is granted. The Information is subject to change without notice and replaces all data sheets previously supplied. The Information supplied is believed to be accurate but the Group assumes no responsibility for its accuracy or completeness, any error in or omission from it or for any use made of it. Users of this data sheet should check for themselves the Information and the suitability of the products for their purpose and not make any assumptions based on information included or omitted. Liability for loss or damage resulting from any reliance on the Information or use of it (including liability resulting from negligence or where the Group was aware of the possibility of such loss or damage arising) is excluded. This will not operate to limit or restrict the Group's liability for death or personal injury resulting from its negligence. Multicomp Pro is the registered trademark of Premier Farnell Limited 2019.

Newark.com/multicomp-pro
Farnell.com/multicomp-pro
Element14.com/multicomp-pro

multicomp PRO