

PLEASE CHECK WWW.MOLEX.COM FOR LATEST PART INFORMATION

Part Number: [0732760210](#)
Status: **Active**
Overview: Type N RF Connectors
Description: 50 Ohms, N Right-Angle Plug, Crimp, RG-59 and RG-62 Cable

Documents:

[Drawing \(PDF\)](#) [RoHS Certificate of Compliance \(PDF\)](#)

General

Product Family	RF/Coax Connectors
Series	73276
Overview	<u>Type N RF Connectors</u>
Product Name	N
Style	Cable
Type	Medium
UPC	822348664825
Wire/Cable Type	RG-59, RG-62

Physical

Gender	Plug
Keying to Mating Part	None
Orientation	Right Angle
PCB Mounting	N/A
Packaging Type	Bag
Panel Mount	No
Panel Mount Method	N/A
Reverse Polar	No

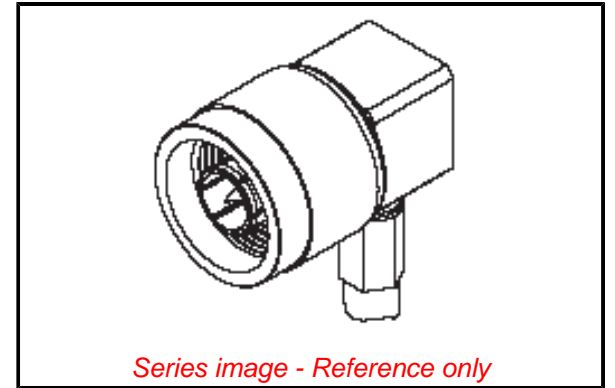
Electrical

Frequency	11 GHz
Impedance	50Ω
Power / Voltage	VOLTAGE: 1000 Vrms@Sea Level

Material Info

Reference - Drawing Numbers

Sales Drawing	SD-73276-021
---------------	--------------



Series image - Reference only

EU ELV

Not Reviewed

EU RoHS

Not Reviewed

REACH SVHC

Not Reviewed

Halogen-Free

Status

Not Reviewed

For more information, please visit [Contact US](#)

China ROHS

Not Reviewed

ELV

Not Reviewed

RoHS Phthalates

Not Reviewed

Search Parts in this Series

[73276 Series](#)