

PLEASE CHECK WWW.MOLEX.COM FOR LATEST PART INFORMATION

Part Number: [0394250002](#)
Status: **Active**
Overview: Eurostyle Terminal Blocks
Description: 12.00mm Pitch Beau EuroMax Right-Angle PCB Header, Closed Ends, 2 Circuits

Documents:

[3D Model](#) [Drawing \(PDF\)](#)
[3D Model \(PDF\)](#) [RoHS Certificate of Compliance \(PDF\)](#)

General

Product Family	Terminal Blocks
Series	39425
Application	N/A
Component Type	PCB Header
Overview	Eurostyle Terminal Blocks
Product Name	EuroMax Pluggable
Type	Euro Block
UPC	822348530359

Physical

Circuits (Loaded)	2
Entry Angle	N/A
Lock to Mating Part	Yes
Material - Plating Mating	Tin
Material - Plating Termination	Tin
Net Weight	17.000/g
Number of Rows	1
Orientation	Right Angle
PC Tail Length	4.30mm
PCB Retention	None
PCB Thickness - Recommended	3.20mm
Panel Mount	No
Pitch - Mating Interface	12.00mm
Pitch - Termination Interface	12.00mm
Plating min - Mating	3.810µm
Plating min - Termination	3.810µm
Polarized to Mating Part	Yes
Shrouded	Closed Ends
Stackable	No
Temperature Range - Operating	130°C
Termination Interface: Style	Through Hole
Wire Size AWG	N/A

Electrical

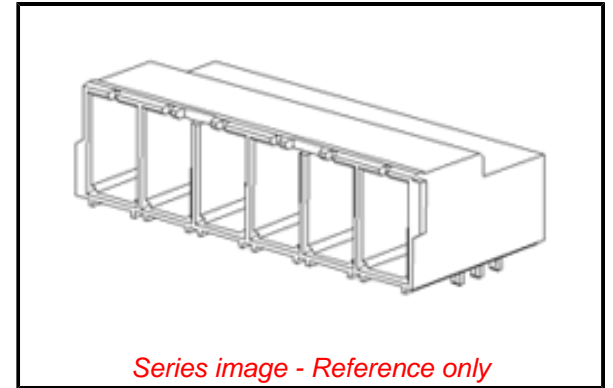
Current - Maximum per Contact	85.0A
Voltage - Maximum	600V

Material Info

Engineering Number	421902
--------------------	--------

Reference - Drawing Numbers

Sales Drawing	SD-39425-001-000
---------------	------------------



EU ELV

Not Relevant

EU RoHS

Compliant

REACH SVHC

Not Contained Per -
ED/71/2019 (16 July
2019)

Halogen-Free

Status

Low-Halogen

For more information, please visit [Contact US](#)

China ROHS

ELV

RoHS Phthalates

China RoHS

Green Image

Not Relevant

Not Contained

Search Parts in this Series

[39425 Series](#)

Mates With

[39421 Plugs](#)