

Emergency Stop Switch

multicomp PRO

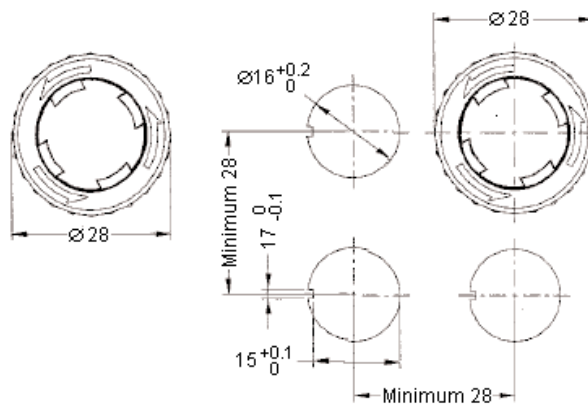
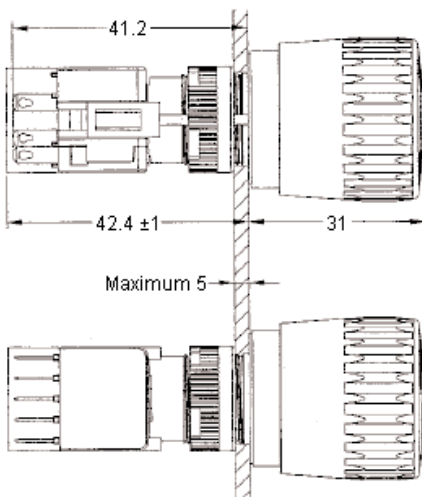


Specifications:

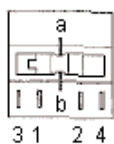
Mechanical lifetime	: >0.1 million operations
Electric rating	: 250V AC, 5A : 125V AC, 8A
Maximum insulation voltage	: 2,000V, 60HZ, 1 minute between all terminals and ground
Minimum motion tolerance	: <10 operation
Panel thickness	: 0.5mm to 5mm
Degree of protection	: IP 65
Operating temperature	: -25°C to +55°C
Storage temperature	: -40°C to +70°C

Soldering/Plug-in Type Emergency Stop Switch

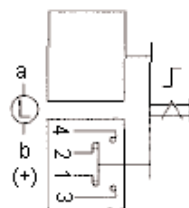
Hole Diameter



Bottom View



Electrical Diagram



Part Number Table

Description	Part Number
Switch, Emergency Stop, Blade Terminals	MCADA16E6-R11-B10R
Switch, Emergency Stop, 12V, LED Illum	MCADA16E6-R11-B1JR
Switch, Emergency Stop, 24V, LED Illum	MCADA16E6-R11-B1KR
Switch, Emergency Stop, 110V, Neon Illum	MCADA16E6-R11-B1FR
Switch, Emergency Stop, 240V, Neon Illum	MCADA16E6-R11-B1GR

Important Notice : This data sheet and its contents (the "Information") belong to the members of the AVNET group of companies (the "Group") or are licensed to it. No licence is granted for the use of it other than for information purposes in connection with the products to which it relates. No licence of any intellectual property rights is granted. The Information is subject to change without notice and replaces all data sheets previously supplied. The Information supplied is believed to be accurate but the Group assumes no responsibility for its accuracy or completeness, any error in or omission from it or for any use made of it. Users of this data sheet should check for themselves the Information and the suitability of the products for their purpose and not make any assumptions based on information included or omitted. Liability for loss or damage resulting from any reliance on the Information or use of it (including liability resulting from negligence or where the Group was aware of the possibility of such loss or damage arising) is excluded. This will not operate to limit or restrict the Group's liability for death or personal injury resulting from its negligence. Multicomp Pro is the registered trademark of Premier Farnell Limited 2019.

Newark.com/multicomp-pro
Farnell.com/multicomp-pro
Element14.com/multicomp-pro

multicomp PRO