

# ME A-DSRC-03Z

## DSRC ANTENNA



### Electrical Specifications

Parameter	Design Specifications
Frequency Range (MHz)	5850 - 5950 MHz
VSWR	1.92 : 1 Max
Impedance	50 Ohm
Peak Gain	5.0 dBi Typical @ 5850 ~ 5950 MHz
Average Efficiency	5150 ~ 5850 MHz ≥ 50%

### Mechanical Specifications

Parameter	Design Specifications
Antenna Dimension (mm <sup>3</sup> )	20 x 215 mm <sup>3</sup>
Operating Temp.	-30 °C ~ +75 °C
Housing Material & Color	PC & White or Black
Connector	N-Type
Waterproof	IPX7

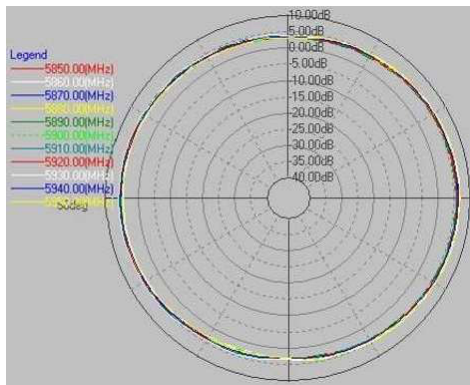
### Description

The MEA-DSRC-03Z is a small, external mount DSRC antenna for 5850 - 5950MHz. This DSRC (Dedicated Short Range Communications) antenna was designed for vehicle-to-vehicle communication for active safety control. The antenna is mounted by N-Type connector. The antenna is waterproof and rated IPX7.

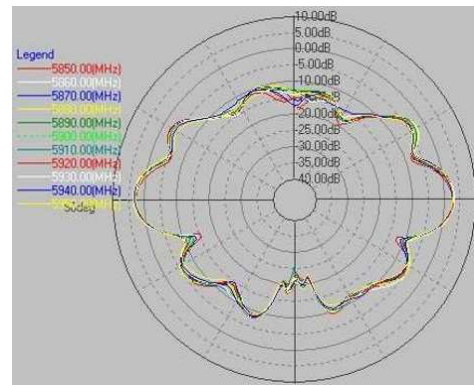
### Applications

- V2V (Vehicle-to-vehicle)
- V2X (Vehicle-to-Other)

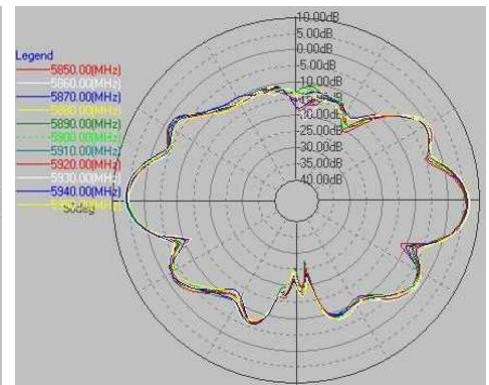
### X-Y Pattern

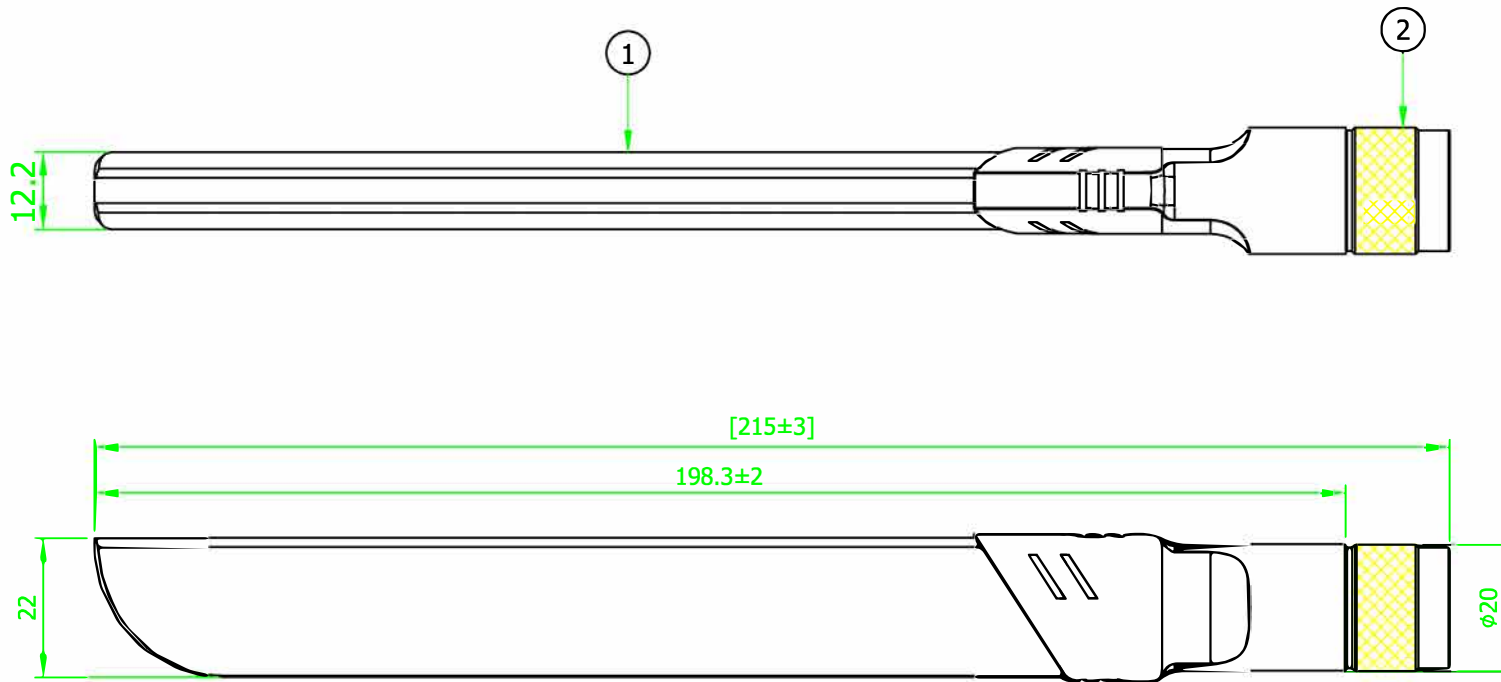


### X-Z Pattern



### Y-Z Pattern





DSRC Antenna:  
 Frequency: 5850~5950 MHz.  
 Waterproof level: IPX7

Note: Critical To Function Dimension Are Mark With [X...]

2	Connector	N-Type (M) ST	1	Ni Plated
1	Antenna Housing	PC	1	White or Black
NO	DESCRIPTION		Q'TY	REMARK

CUSTOMER'S SINGATURE	XX.	±5.0	APPROVED	CUSTOMER:		
	X.	±2.0		PART NO :		
	.X	±1.0	CHECKED	PARTNAME : DSRC Antenna		
	.XX	±0.5		W.Y P/NO : MEA-DSRC-03Z		
	.XXX	±0.1	DRAWING	REV	UNIT	FILE :
			A	mm	SHEET : 1/1	

