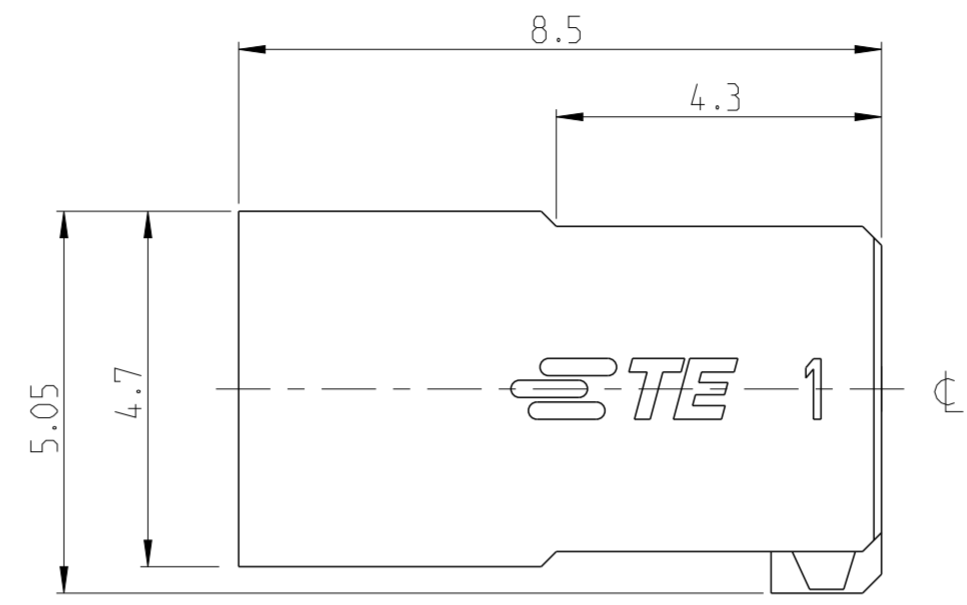
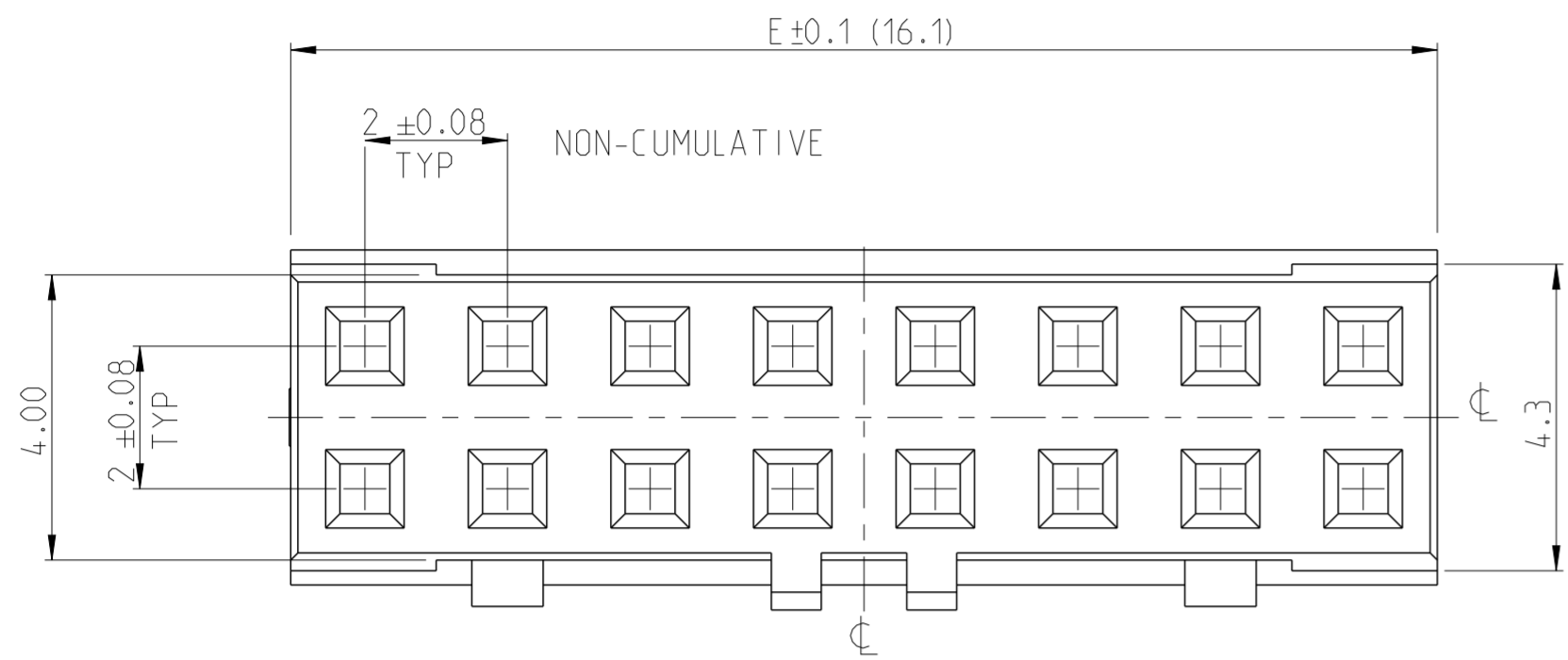


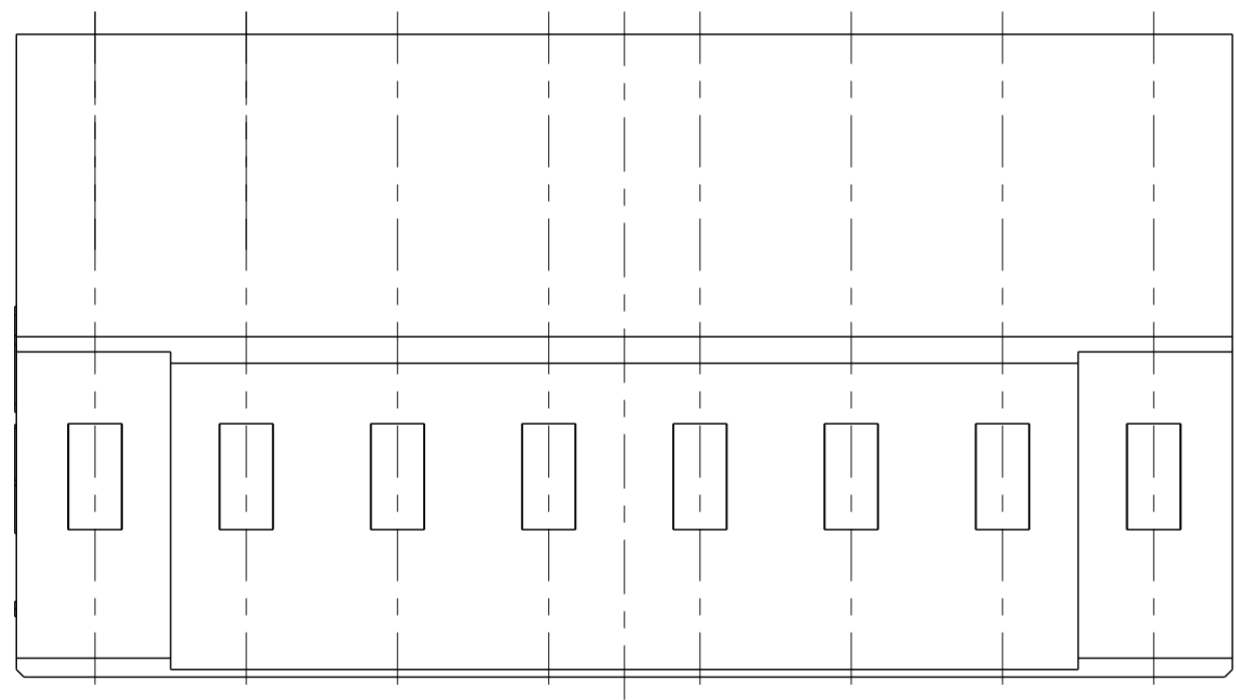
THIS DRAWING IS UNPUBLISHED. RELEASED FOR PUBLICATION
 © COPYRIGHT 2017 TE Connectivity ALL RIGHTS RESERVED.

REVISIONS				
P	LTR	DESCRIPTION	DATE	APVD
	A	RELEASE TO PRODUCTION	02APR2020	AY PS

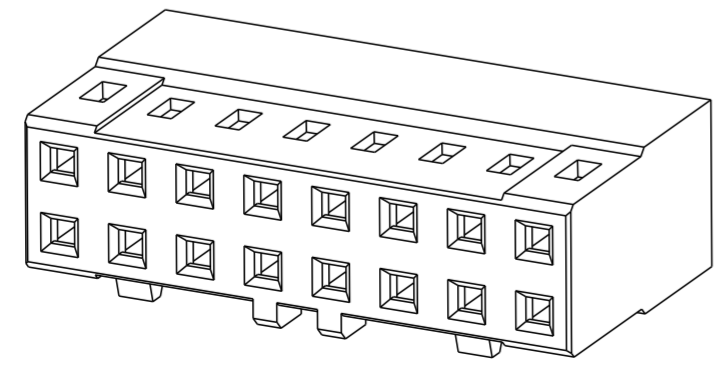


NOTES:

1. MATERIAL:
LCP BLACK, UL94 V0
2. N = NUMBER OF POSITION PER HOUSING.
3. HOUSING TO BE USED WITH CRIMP CONTACTS
2316113 (AWG 28-24/0.08-0.22 mm²) AND
2316114 (AWG 30-28/0.05-0.08 mm²)
4. PACKAGING : BULK BOX

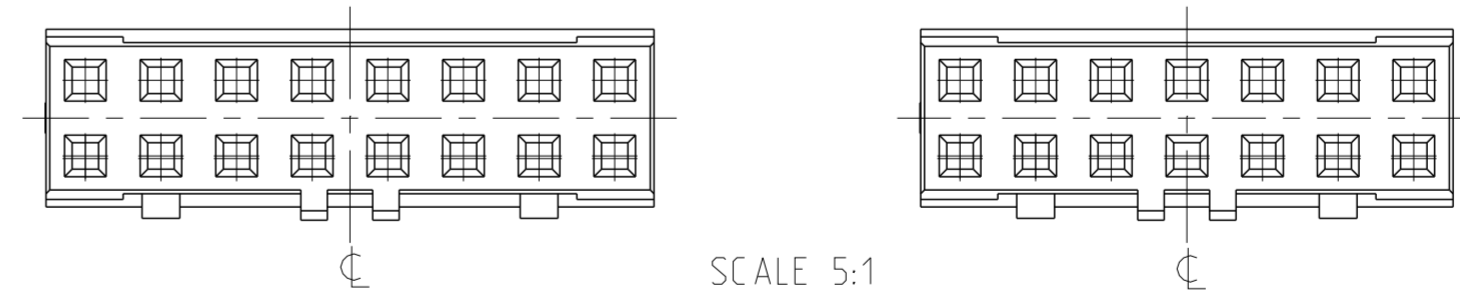


DUAL ROW HOUSING
 POLARIZED W/ LOCKING RAMP.
 1- -6 AS SHOWN



SCALE 5:1

CENTER LINE FOR ODD AND EVEN
 POSITION HOUSINGS



SCALE 5:1

BOX PACKAGING		
5-2316109-0	50.1	50
4-2316109-4	44.1	44
4-2316109-0	40.1	40
3-2316109-2	32.1	32
3-2316109-0	30.1	30
2-2316109-8	28.1	28
2-2316109-6	26.1	26
2-2316109-4	24.1	24
2-2316109-2	22.1	22
2-2316109-0	20.1	20
1-2316109-8	18.1	18
1-2316109-6	16.1	16
1-2316109-4	14.1	14
PART NO.	DIM "E"	N

THIS DRAWING IS A CONTROLLED DOCUMENT.		DWN RAKSHITH R NAYAK 06SEP2016	TE Connectivity	
DIMENSIONS: mm		CHK PRASHANTH S 06SEP2016		
TOLERANCES UNLESS OTHERWISE SPECIFIED:		APVD PRASHANTH S 06SEP2016	NAME AMPMODU 2mm RECEPTACLE, wTB HOUSING, CRIMP, DR, W/ LOCK RAMP	
0 PLC ±	1 PLC ±0.15	PRODUCT SPEC 108-64040-1	SIZE A2	CAGE CODE 100779
2 PLC ±0.10	3 PLC ±	APPLICATION SPEC 114-32173	DRAWING NO C-2316109	RESTRICTED TO -
4 PLC ±	ANGLES ±2°	WEIGHT -	SCALE 10:1	SHEET 1 OF 1
MATERIAL SEE NOTE 1	FINISH -	CUSTOMER DRAWING	REV A	