

JST

Hand crimping tool
Type: WC-730

Features

Parallel action
operation

Ratchet release

Easy readjustment
of load

Contact locator with
insulation-stop

Precisely ground
profiles

Ergonomic soft grips
colour: green

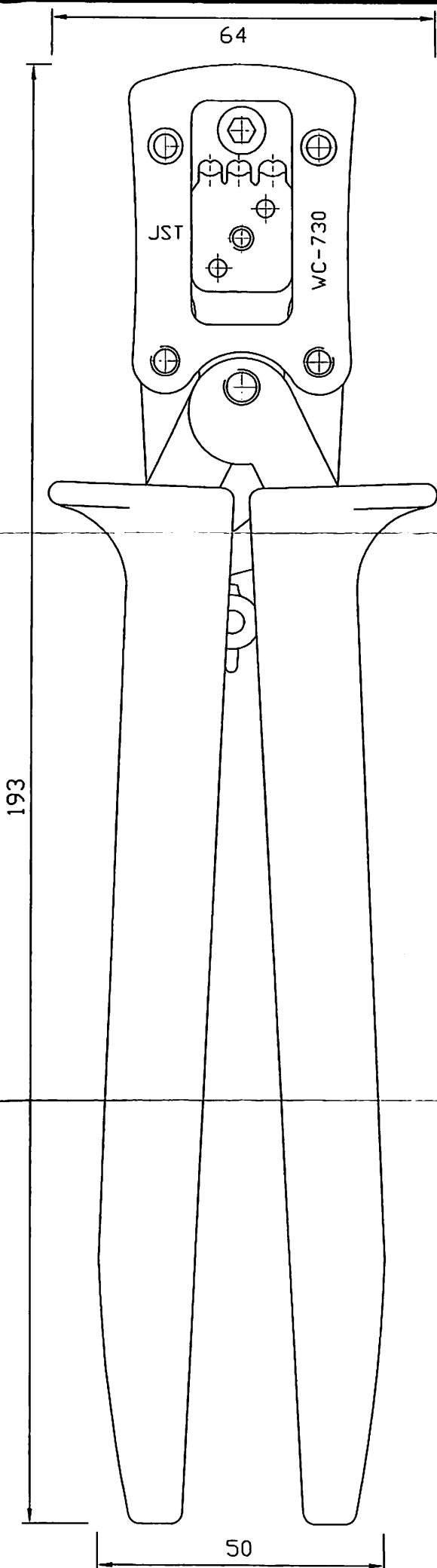
Fully recyclable

Applicable terminal:
()PS-01T-187

Cross section range:
Profile 1: 24 AWG/26 AWG
Profile 2: 22 AWG
Profile 3: 20 AWG

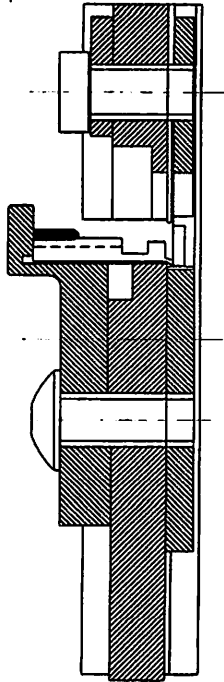
Crimp height specification
26 AWG - 0.90mm
24 AWG - 0.95mm
22 AWG - 1.00mm
20 AWG - 1.05mm

Operating instructions see overleaf



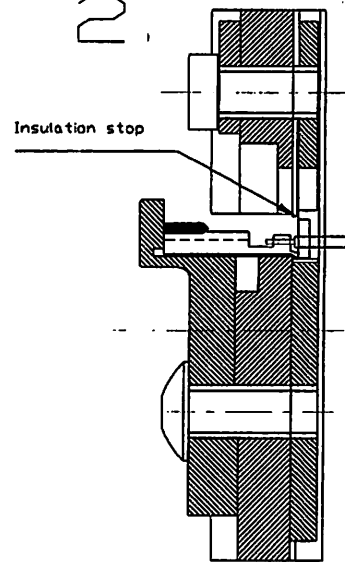
OPERATION INSTRUCTIONS

1.



1. Locate terminal up to stop.

2.

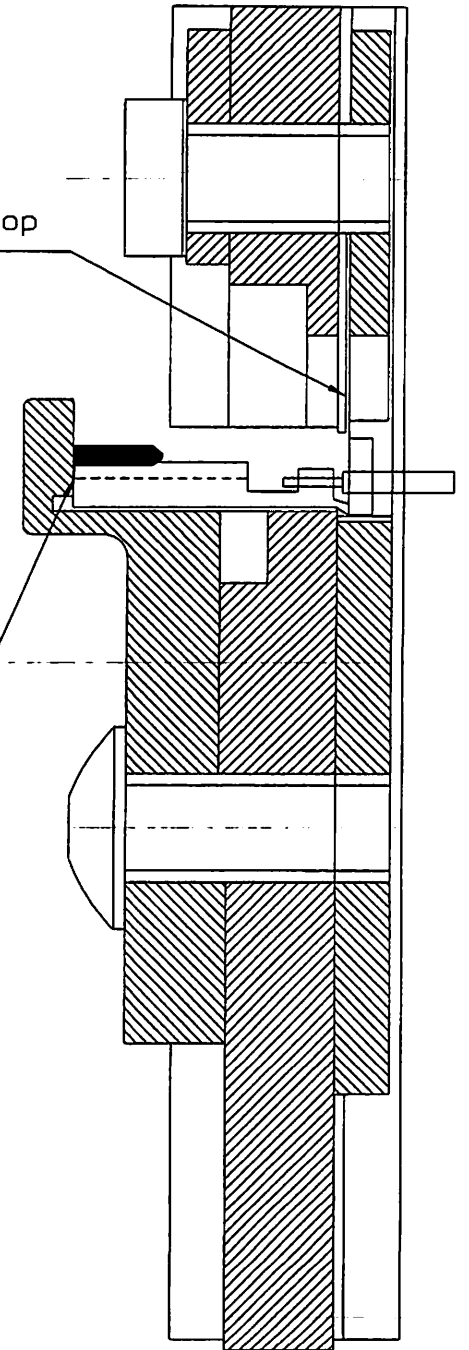


2. Close handtool until first ratchet.

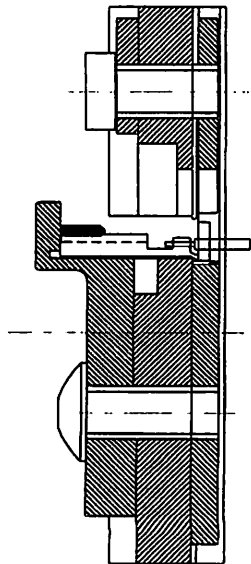
3. Insert wire up to stop.

Insulation stop

Terminal stop



3.



4. Close handtool until the ratchet releases.

5. Carefully remove the wire.