

DUAL two-phase solid state relay

→ DUAL

- Rating 2x25A or 2x40A
- Output voltage 24 to 280 V
- Back-to-back SCR
- Instantaneous or zero volt switching
- Input to output insulation voltage : 4000 V
- Protection by RC filter
- UL-Cul approval Tüv and CE marking



Specifications

Type	Current	Output voltage	Input voltage	Switching	Code
Dual range	25 A	24 - 280 V AC	4 - 15 V DC	Zero voltage	84 140 000
	25 A	24 - 280 V AC	17 - 32 V DC	Zero voltage	84 140 010
	40 A	24 - 280 V AC	4 - 15 V DC	Zero voltage	84 140 200
	40 A	24 - 280 V AC	17 - 32 V DC	Zero voltage	84 140 210
	25 A	24 - 280 V AC	4 - 15 V DC	Instantaneous	84 140 100
	25 A	24 - 280 V AC	17 - 32 V DC	Instantaneous	84 140 110
	40 A	24 - 280 V AC	4 - 15 V DC	Instantaneous	84 140 300
	40 A	24 - 280 V AC	17 - 32 V DC	Instantaneous	84 140 310

General characteristics

Output characteristics

Peak voltage (1 min) V(peak)	550
On-state voltage drop at I _{max} and T = 25 °C V(peak)	1.6
Max. leakage current mA (rms)	7
Minimum current mA (rms)	100
Max 1 cycle surge A (rms) @ 25 °C	500 (25A) 780 (40A)
Max 1 second surge A (rms) @ 25 °C	150 (25A) 234 (40A)
I ² t A ² s	1041 (25A) 2435 (40A)
Static (off-state) dv/dt (V/μs)	500
Thermal resistance Junction to casing (°C/W)	0.6 (25A) 0.4 (40A)
Supply frequency range (Hz)	47 → 63
Cos φ (Zero voltage)	> 0.5

Inputs specifications

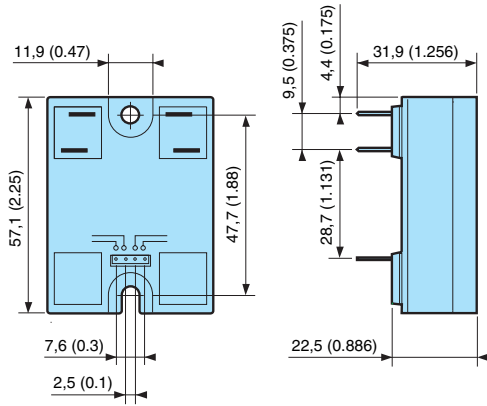
Turn-off voltage (V)	1 V DC
Maximum current at V _{max} (mA)	32

Characteristics

Operating temperature (°C)	-40 → +80
Storage temperature (°C)	-40 → +100
Input to output insulation voltage V(rms)	4000
Dielectric strength V(rms)	2500
Input/output capacitance (pF)	8
Material housing	Self-extinguishing (UL 94 V)
Material baseplate	Zamak
Weight (g)	97

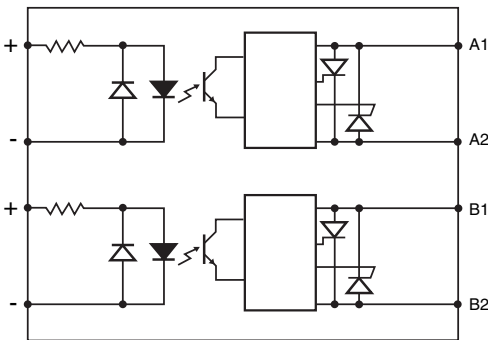
Dimensions

B



Connections

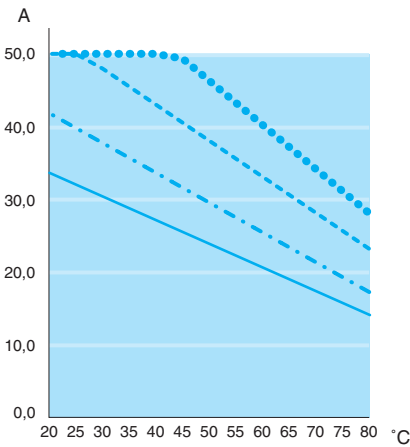
Equivalent circuits



5

Curves

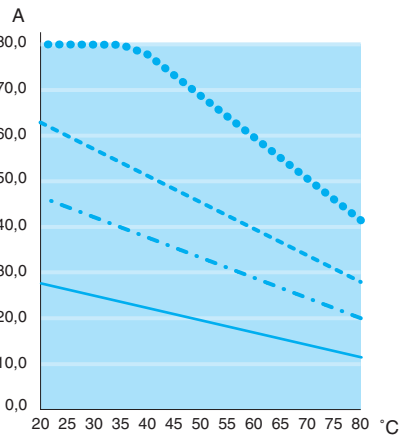
25 A



●●●● 0.7°C/W - - - 1.5°C/W
 - - - 1.0°C/W ——— 2.0°C/W

Dual SSR thermal curves with both outputs switched on at the same time

40 A



●●●● 0.5°C/W - - - 1.5°C/W
 - - - 1.0°C/W ——— 2.9°C/W

Dual SSR thermal curves with both outputs switched on at the same time