



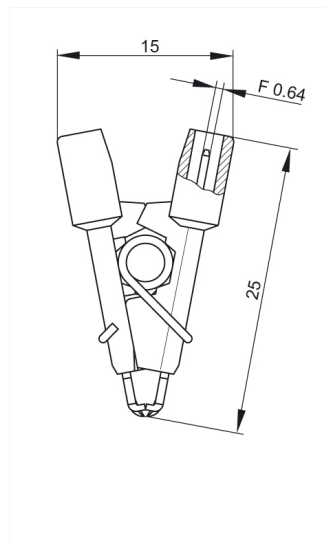
MICRO-SMD CLIP 1

Measuring and Testing Equipment:Alligator clips:0.64 mm system

Product description

Description	Spring loaded, two-pole test clip, specially designed for SMD components. Gold-plated, hardened tip for testing circuits, flat-nosedgrips for individual components; notch for gripping thin wires. Balanced spring force permits testing of large and small components; 0.64 mm pin connection; electrically insulated spring.
Type	MICRO-SMD CLIP 1
Order No.	972 416-100
System	0,64 mm system
Clamping range	0 mm to 8 mm
Housing Color	black

Drawing



Technical data

Type of contact	pin
Type of termination	2 x0,64 mm diameter pin
Rated voltage	DC 60 V
Contact resistance	6 mOhm

Material

Contact material	copper beryllium
Contact surface material	gold-plated
Housing material	PBT

Environmental conditions

Temperature range	-30 °C to +100 °C
-------------------	-------------------

Inflammability class

Housing	94 HB
---------	-------