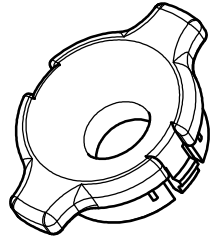
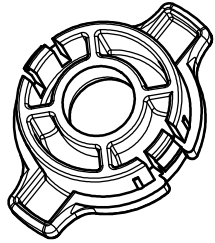
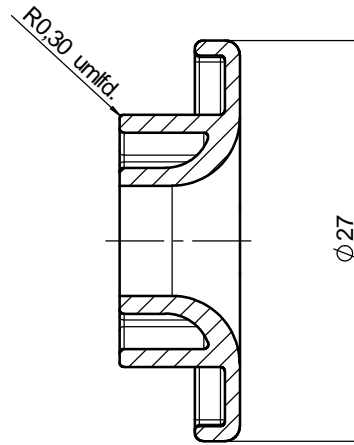


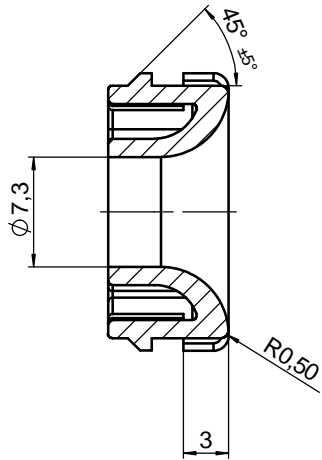
THE INFORMATION CONTAINED IN THIS DRAWING IS THE SOLE PROPERTY OF YAMAICHI ELECTRONICS DEUTSCHLAND GmbH. ANY REPRODUCTION IN PART OR WHOLE WITHOUT THE WRITTEN PERMISSION OF YAMAICHI ELECTRONICS DEUTSCHLAND GmbH IS PROHIBITED.



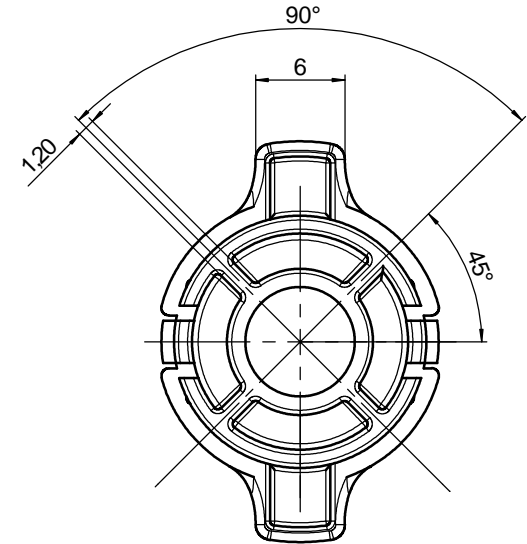
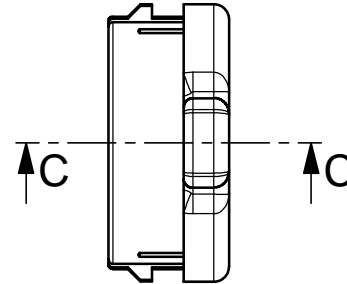
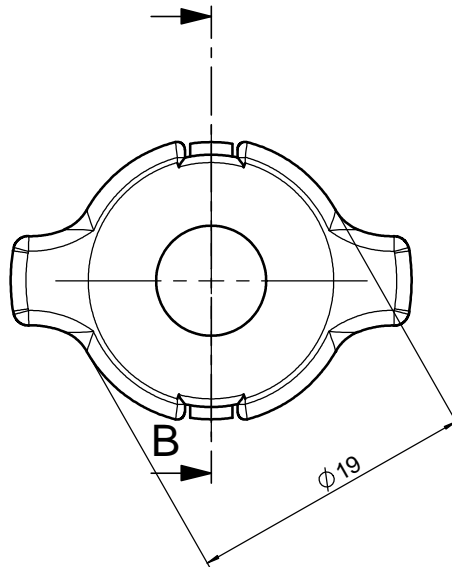
C-C



B-B



B



MATERIAL: PBT blue/blau		REV.	REVISION DESCRIPTION	INITIALS	REV. DATE
		5			
		4			
		3			
		2			
		1			
DO NOT SCALE DRAWING			CLASSIFICATION: Customer-drawing		
EDGES:	ANGLE:	SHAPE & POSITION:	DESIGN	NAME	DATE
			DRAWN		
			CHECKED		
ANGLE PROJECTION:	First		Q.A.		
			APPROVED		
TITLE: Y-ConAS-23 IP67 cover terminator			DWG NO.: Customer-P(090)P23		
			REV. ORIGIN	REV.	
			-	-	
				SHEET 1 OF 1	A3 - PART

