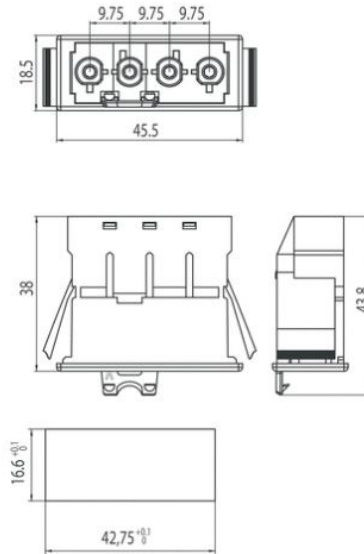
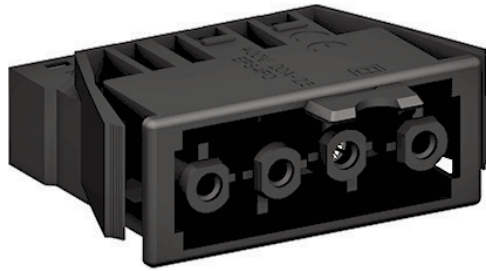


Technical Datasheet

Product Code: PM4BKF

Description: 250/400V 20A 4 Pole Female Locking Panel Mount Outlet



General Information

Rating	20A 250V~
Colour	Black
Materials	Body: Polyamide (PA6/6 V0) Contacts: Brass Silver Plated Clamping Spring: HT Treated Steel
Number Of Poles	4
Terminal Type	Push-fit (2 cables per terminal)
Metal Panel Thickness	0.5mm - 1.2mm
Panel Cutout	42.75mm (+0.10mm) x 16.6mm (+0.10mm)
Terminal Cable Size	0.5mm <sup>2</sup> Min. - 2.5mm <sup>2</sup> Max.
Termination Lengths	Stripped: 10mm
Ferrule / Bootlace	0.5mm <sup>2</sup> Min. - 1.5mm <sup>2</sup> Max.
Temperature Rating	100°C
Ingress Protection	IP20 (IP40 When Plugged In)
Compatible Male Plug	FSSR4BKM
Locking Facility	Yes

**Additional Information** Installation couplers are only intended for connection and disconnection without load. This installation coupler is not suitable for installation in readily accessible areas.

**Standards** EN61535: 2008 +A1: 2013,  
EN 60335-1



250/600V T110 -  
2,5mm<sup>2</sup> 20A (Canada  
15A); 1,5mm<sup>2</sup> 10A