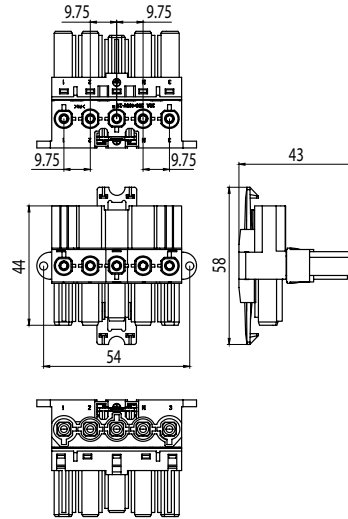


Product Code: 11N25BK

Description: 250/400V 20A 5 Pole 1 IN 2 OUT Distributor



### General Information

<b>Rating</b>	20A 250V~
<b>Colour</b>	Black
<b>Materials</b>	Body: Polyamide (PA6/6 V0) Contacts: Brass Silver Plated
<b>Number Of Poles</b>	5
<b>Terminal Type</b>	N/A
<b>Fixing Centres</b>	54mm
<b>Compatible Female Socket</b>	FSR3BKF (1 x Input)
<b>Compatible Male Plug</b>	FSR5BKM (2 x Outputs)
<b>Temperature Rating</b>	100°C
<b>Ingress Protection</b>	IP20 (IP40 When Plugged In)
<b>Locking Facility</b>	Yes (Input & All Outputs)

**Additional Information** Installation couplers are only intended for connection and disconnection without load. This installation coupler is not suitable for installation in readily accessible areas.

<b>Standards</b>	EN61535: 2008 +A1: 2013, EN 60335-1
------------------	--

