

Coaxial Adapter, SMA Female / UMCX Plug



LCAD30003

Configuration

- SMA Female Connector 1
- Push-On UMCX Plug Connector 2
- Impedance 50 Ohm
- Straight Body Geometry

Features

- Provides Between Series SMA to UMCX Connections
- Operates to 6 GHz
- Max VSWR of 1.3:1
- Gold Plated Center Contacts

Applications

Description

These L-com RF Coaxial Adapters are used to interface between SMA to UMCX with coaxial connections. The LCAD30003 is a straight adapter with a female to plug configuration. This Coaxial Adapter, SMA Female / UMCX Plug is made from tri-metal and has a gold finish. An SMA interface design is defined by Mil-STD-348A and has many popular features including a threaded coupling method with a robust center contact and outer conductor interface. SMA's generally work up to 18GHz and are a cost effective way of insuring a highly dependable RF Coaxial connection. A UMCX adapter's interface is compatible with the popular u.fl design from Hirose. The UMCX has a simple snap on connection and its small size is popular in applications that require a small foot print. Often used on printed circuit boards and with micro coax the UMCX (u.fl) interface is a widely used miniature coaxial connector series. L-com's RF Coaxial and Triaxial adapters are in stock and ship same day.

Electrical Specifications

Description	Minimum	Typical	Maximum	Units
Frequency Range	DC		6	GHz
VSWR		1.12:1	1.3:1	
Operating Voltage (AC)			100	Vrms
Dielectric Withstanding Voltage (AC)			200	Vrms
Inner Conductor DC Resistance			3	mOhms
Outer Conductor DC Resistance			2	mOhms
Insulation Resistance	5,000			MOhms

Mechanical Specifications

Size

Length	0.55in	13.97mm]
Width	0.26in	[6.6mm]

Description	Connector 1	Connector 2
Type	SMA Female	UMCX Plug

Coaxial Adapter, SMA Female / UMCX Plug



LCAD30003

Polarity	Standard	Standard
----------	----------	----------

Material Specifications

Description	Connector 1		Connector 2	
	Material	Plating	Material	Plating
Type	SMA Female		Push-On UMCX Plug	
Contact	Beryllium Copper	Gold 2µin minimum	Beryllium Copper	Gold 2 µin minimum
Insulation	PTFE		PTFE	
Outer Conductor	Brass	Gold 2 µin minimum	Brass	Gold 2 µin minimum
Body	Phosphor Bronze	Gold 2µin minimum	Phosphor Bronze	Gold 2 µin minimum

Environmental Specifications

Temperature

Operating Range -40°C to +90°C

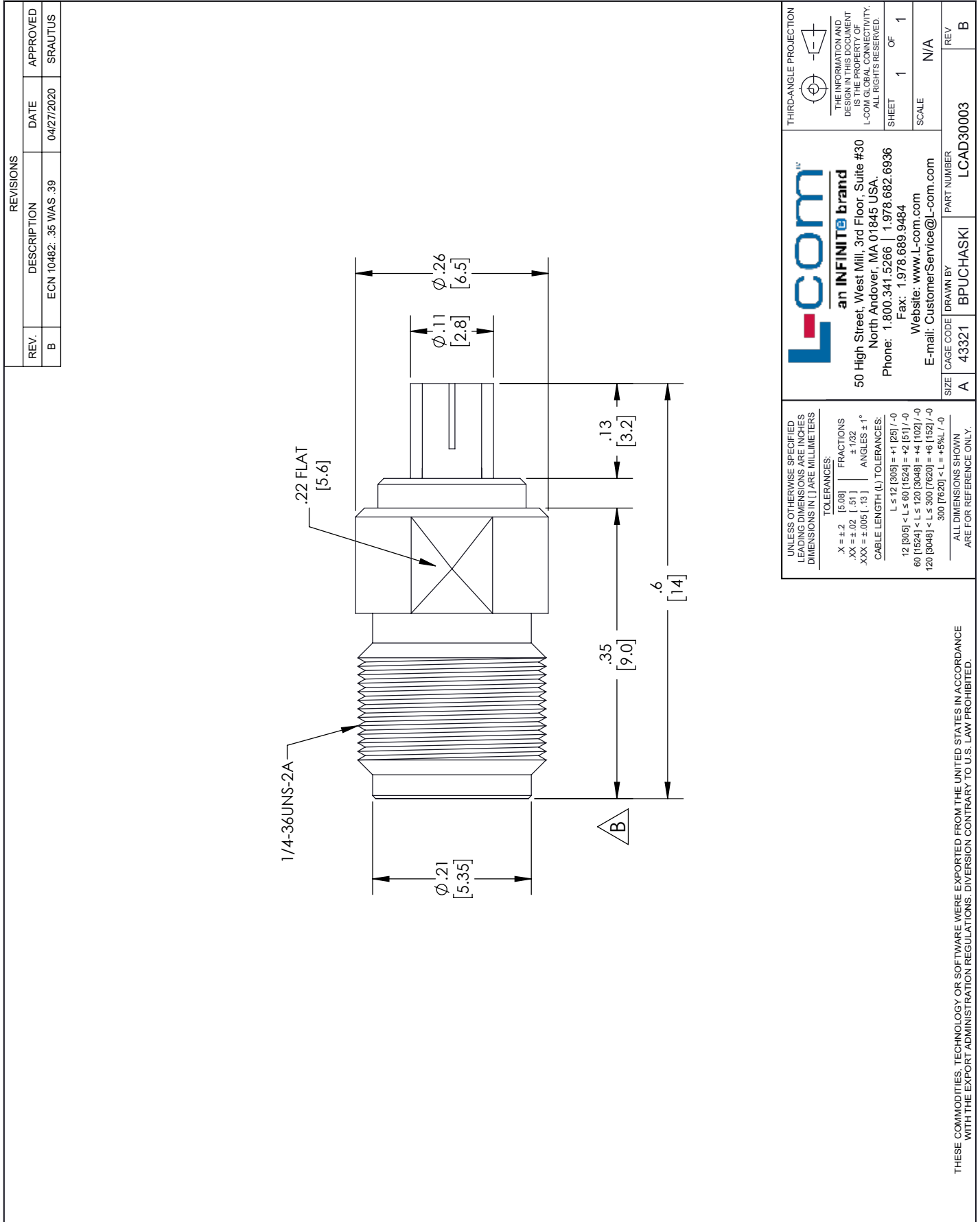
Compliance Certifications (see [product page](#) for current document)

Plotted and Other Data

Coaxial Adapter, SMA Female / UMCX Plug from L-com has same day shipment for domestic and International orders. Our portfolio includes coaxial cable assemblies, connectors, adapters and custom products as well as lightning and surge protectors, NEMA rated enclosures, and an RF product line which includes antennas, amplifiers, passive, and active components. The information contained within this document is accurate to the best of our knowledge and representative of the part described herein. It may be necessary to make modifications to the part and/or the documentation of the part in order to implement improvements. L-com reserves the right to make such changes as required. Unless otherwise stated, all specifications are nominal. L-com does not make any representation or warranty regarding the suitability of the part described herein for any particular purpose, and L-com does not assume liability arising out of the use of any part or document. The information contained within this document is accurate to the best of our knowledge and representative of the part described herein. It may be necessary to make modifications to the part and/or the documentation of the part in order to implement improvements. L-com reserves the right to make such changes as required. Unless otherwise stated, all specifications are nominal. L-com does not make any representation or warranty regarding the suitability of the part described herein for any particular purpose, and L-com does not assume liability arising out of the use of any part or document.

Coaxial Adapter, SMA Female / UMCX Plug

L-com CAD Drawing



REVISIONS		DATE	APPROVED
REV.	DESCRIPTION		
B	ECN 10482: .35 WAS .39	04/27/2020	SRAUTUS

UNLESS OTHERWISE SPECIFIED LEADING DIMENSIONS ARE INCHES DIMENSIONS IN [] ARE MILLIMETERS

TOLERANCES:

X = ±.2 [5.08] | FRACTIONS ± 1/32 | ANGLES ± 1°
 .XX = ±.02 [.51] | .XXX = ±.005 [.13]
 CABLE LENGTH (L) TOLERANCES:
 L ≤ 12 [305] = +1 [25] / -0
 12 [305] < L ≤ 60 [1524] = +2 [51] / -0
 60 [1524] < L ≤ 120 [3048] = +4 [102] / -0
 120 [3048] < L ≤ 300 [7620] = +6 [152] / -0
 300 [7620] < L = +5% / -0

ALL DIMENSIONS SHOWN ARE FOR REFERENCE ONLY.

THIRD-ANGLE PROJECTION

THE INFORMATION AND DESIGN IN THIS DOCUMENT IS THE PROPERTY OF L-COM GLOBAL CONNECTIVITY. ALL RIGHTS RESERVED.

SHEET 1 OF 1
 SCALE N/A

L-com
 an INFINITE brand
 50 High Street, West Mill, 3rd Floor, Suite #30
 North Andover, MA 01845 USA
 Phone: 1.800.341.5266 | 1.978.682.6936
 Fax: 1.978.689.9484
 Website: www.L-com.com
 E-mail: CustomerService@L-com.com

SIZE A | CASE CODE 43321 | DRAWN BY BPUCHASKI | PART NUMBER LCAD30003 | REV B

THESE COMMODITIES, TECHNOLOGY OR SOFTWARE WERE EXPORTED FROM THE UNITED STATES IN ACCORDANCE WITH THE EXPORT ADMINISTRATION REGULATIONS. DIVERSION CONTRARY TO U.S. LAW PROHIBITED.