

Pluggable PCB Connector, Plug

multicomp PRO

**RoHS
Compliant**



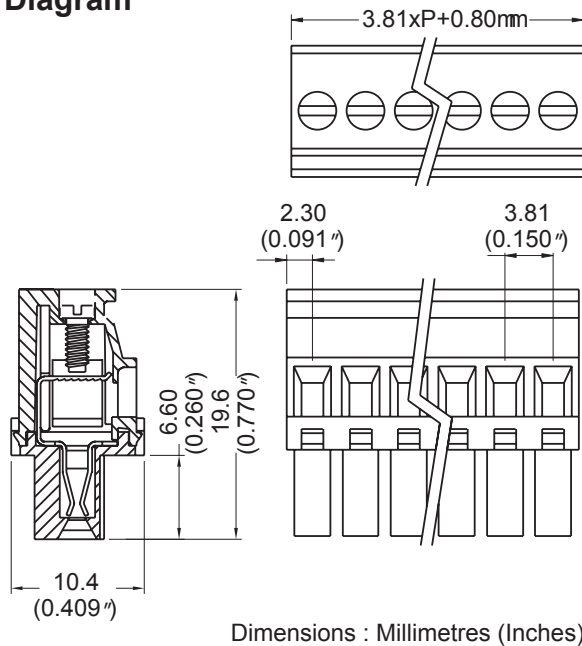
Specifications:

Pitch	: 5.08mm
Poles	: 2 to 20Poles
Housing Material	: PA 66
Cage Clamp	: Brass, Ni Plated
Contact	: Phosphor Bronze, Tin Plated
Screw Thread	: M2, Steel, Ni Plated
Wire Size	: 16AWG to 24AWG
Tightening Torque, Max.	: 3Lb-in
Operating Temperature	: -40°C to +105°C

Technical Data:

Nominal Current I_N	: 8A
Nominal Cross Section	: 1.5mm ²
Maximum Load Current	: 8A
Insulating Material	: PA
Nominal Voltage	: 300V
Nominal Current	: 10A

Diagram



Part Number Table

Description	Part Number
Term Block, Pluggable, 24-16AWG, 3.5mm	MCTC-56B11
	MC560-38102
	MC560-38103
	MC560-38104
	MC560-38105
	MC560-38106
	MC560-38107
	MC560-38108
	MC560-38109
	MC560-38110
	MC560-38112
	MC560-38115
MC560-38116	

Note:

Screw Plating: Changes are available upon request

Important Notice : This data sheet and its contents (the "Information") belong to the members of the AVNET group of companies (the "Group") or are licensed to it. No licence is granted for the use of it other than for information purposes in connection with the products to which it relates. No licence of any intellectual property rights is granted. The Information is subject to change without notice and replaces all data sheets previously supplied. The Information supplied is believed to be accurate but the Group assumes no responsibility for its accuracy or completeness, any error in or omission from it or for any use made of it. Users of this data sheet should check for themselves the Information and the suitability of the products for their purpose and not make any assumptions based on information included or omitted. Liability for loss or damage resulting from any reliance on the Information or use of it (including liability resulting from negligence or where the Group was aware of the possibility of such loss or damage arising) is excluded. This will not operate to limit or restrict the Group's liability for death or personal injury resulting from its negligence. Multicomp Pro is the registered trademark of Premier Farnell Limited 2019.

Newark.com/multicomp-pro
Farnell.com/multicomp-pro
Element14.com/multicomp-pro

multicomp PRO