

# Termination Instructions **multicomp**PRO

## I Introduction

This termination procedure is for LC 2.0mm Connectors. Please read this procedure thoroughly.

## II Description

Fig.1 Shows basic parts of a LC fiber connector. Actual parts may vary depends on fiber cable diameter, basic termination procedure should remain the same.

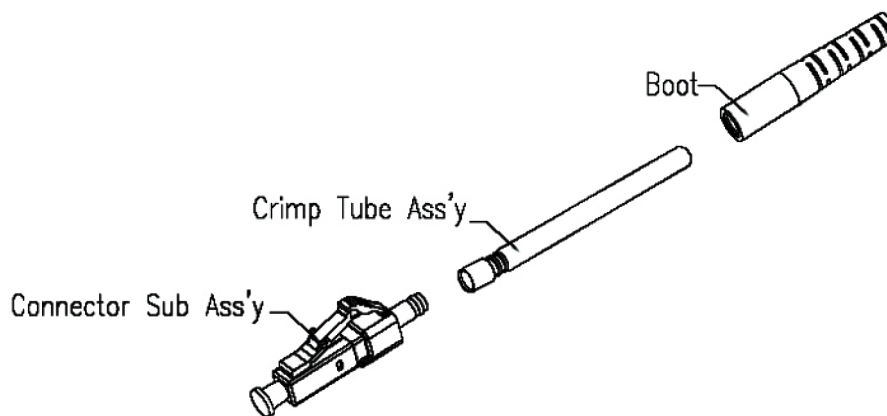


Fig. 1

Step 1 Insert boot and crimp tube onto cable per Fig 2.



Fig. 2

Step 2 Use jacket stripper and Kevlar cutter to prep cable per Fig 3. Use buffer stripper to remove the require length of buffer per Fig 3.

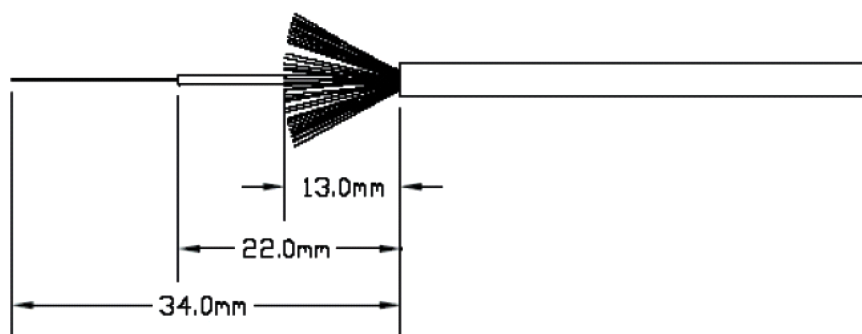


Fig. 3

# Termination Instructions **multicomp**PRO

---

Step 3 Use alcohol and lens wiper to clean the bare fiber. Bare fiber must be properly cleaned before connector insertion.

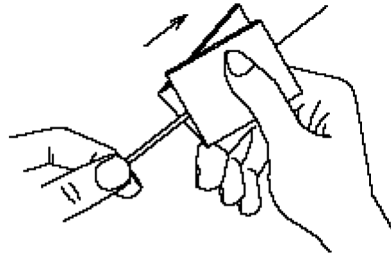


Fig. 4

Step 4 Apply a few drops of epoxy into connector body. Carefully insert prepared bare fiber into the epoxy filled connector. Slide the fiber gently in and out of ferrule to form the epoxy bead on the end of ferrule. Set connector with fully inserted cable.

Step 5 Cure epoxy fully based on epoxy manufacturer's recommendation. Use a fiber scribe to score the protruded fiber at the edge of epoxy bead. Gently pull the tip of fiber to separate protruded fiber. Perform polishing procedures per polishing equipment manufacturer's recommendation.

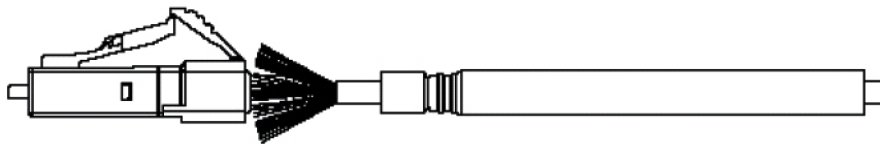


Fig. 5

Step 6 Slide the pre-inserted crimp tube against connector with Kevlar evenly distributed. Fix crimp tube on connector with crimping tool per Fig 6.

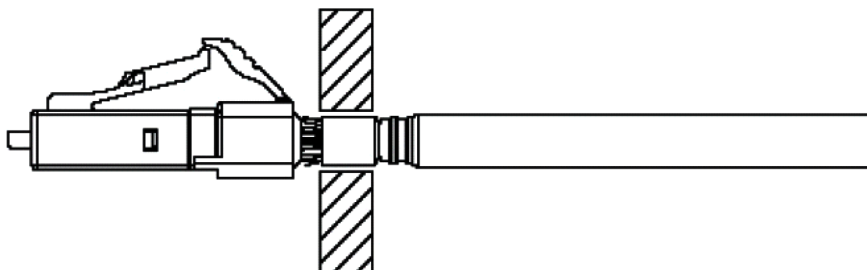


Fig. 6

# Termination Instructions **multicomp**<sup>PRO</sup>

Step 7 Use blower to shrink the heat shrinking tube.

## Crimp Tool Recommendation

	Crimp Tube	Crimp Ring
LC 2.0mm	3.0mm	No
Actual requirement may vary.		

Step 8 Slide the pre-inserted boot against crimped connector and protect end ferrule with dust cap.

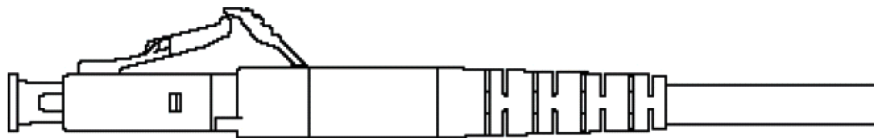


Fig. 7

<b>Part Number</b>
SPC23244

**Important Notice :** This data sheet and its contents (the "Information") belong to the members of the AVNET group of companies (the "Group") or are licensed to it. No licence is granted for the use of it other than for information purposes in connection with the products to which it relates. No licence of any intellectual property rights is granted. The Information is subject to change without notice and replaces all data sheets previously supplied. The Information supplied is believed to be accurate but the Group assumes no responsibility for its accuracy or completeness, any error in or omission from it or for any use made of it. Users of this data sheet should check for themselves the Information and the suitability of the products for their purpose and not make any assumptions based on information included or omitted. Liability for loss or damage resulting from any reliance on the Information or use of it (including liability resulting from negligence or where the Group was aware of the possibility of such loss or damage arising) is excluded. This will not operate to limit or restrict the Group's liability for death or personal injury resulting from its negligence. Multicomp Pro is the registered trademark of Premier Farnell Limited 2019.

Newark.com/multicomp-pro  
Farnell.com/multicomp-pro  
Element14.com/multicomp-pro

**multicomp**<sup>PRO</sup>