

ASA Series

6 Watts

Total Power: 6 Watts
Input Voltage: 12V, 24V or 48V
of Outputs: Single, Dual



Special Features

- Encapsulated
- Wide 4:1 input range
- 1.25" X 0.8" DIP package
- 1500Vdc I/O isolation
- Single and Dual output

Electrical Specifications

Input	
Input range	9 to 36 VDC; 18 to 75 VDC
Efficiency ²	81%@5Vo
Output	
Voltage tolerance	±2.0%
Line regulation	±0.5%
Load regulation	Single output: 1% @ 3.3Vo Other: ± 0.5% Dual output: ± 3.0%
Noise/ripple	3.3Vo, 5Vo: 100mV 12Vo: 120mV 15Vo: 150mV
Short circuit protection	Auto-restart
Switching frequency	250KHz
Temperature coefficient	±0.02 /°C
Isolation	
I/O isolation	1500 VDC min.
Insulation resistance	10Mohm
Insulation capacitance	1000pF

Environmental Specifications

Operating ambient temperature range	-40°C to +71°C (no derating)
Storage temperature	-55°C to +105°C
Humidity	5% to 95% (non-condensing)
MTBF	1 Mhrs demonstrated MTBF
RoHS Compliant	

Safety

CE Mark

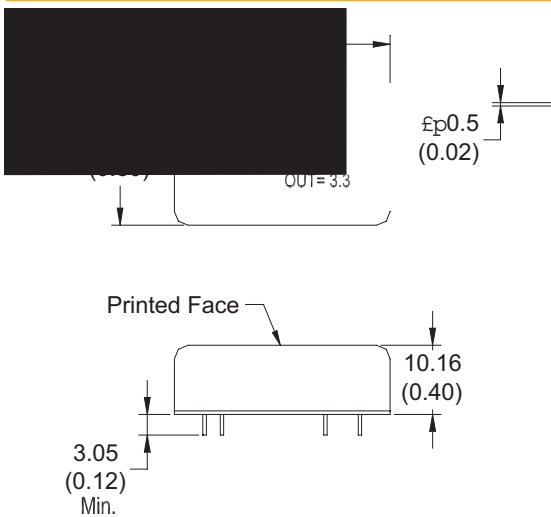


Ordering Information

Input Voltage	Output 1 Voltage	Output 2 Voltage	Maximum Power	Model Number
9-3 6V	3.3V @ 1.2A		3.96W	ASA01F18-L
9-3 6V	5V @ 1.00A		5W	ASA01A18-L
9-3 6V	12V @ 0.50A		6W	ASA00B18-L
9-3 6V	15V @ 0.40A		6W	ASA00C18-L
9-3 6V	5V @ 0.50A	-5V @ 0.5A	5W	ASA00AA18-L
9-3 6V	12V @ 0.25A	-12V @ 0.25A	6W	ASA00BB18-L
9-3 6V	15V @ 0.20A	-15V @ 0.20A	6W	ASA00CC18-L
18 - 75V	3.3V @ 1.2A		3.96W	ASA01F36-L
18 - 75V	5V @ 1.00A		5W	ASA01A36-L
18 - 75V	12V @ 0.50A		6W	ASA00B36-L
18 - 75V	15V @ 0.40A		6W	ASA00C36-L
18 - 75V	5V @ 0.50A	-5V @ 0.5A	5W	ASA00AA36-L
18 - 75V	12V @ 0.25A	-12V @ 0.25A	6W	ASA00BB36-L
18 - 75V	15V @ 0.20A	-15V @ 0.20A	6W	ASA00CC36-L

Please contact Astec for information on other output voltages, power ranges and configurations. Available in RoHS 6 version only.

Mechanical Drawing



Astec Power

5810 Van Allen Way
Carlsbad, CA 92008
USA
Telephone: +1 760 930 4600
Facsimile: +1 760 930 0698
Technical Support: +1 888 41 ASTEC
or +1 407 241 2752

Waterfront Business Park
Merry Hill, Dudley
West Midlands, DY5 1LX
United Kingdom
Telephone: +44 (0) 1384 842 211
Facsimile: +44 (0) 1384 843 355

Units 2111-2116, Level 21
Tower 1, Metroplaza
223, Hing Fong Road
Kwai Fong, New Territories
Hong Kong
Telephone: +852 2437 9662
Facsimile: +852 2402 4426

For global contact, visit:

www.astecpower.com
technicalsupport@astec.com

While every precaution has been taken to ensure accuracy and completeness in this literature, Astec Power assumes no responsibility, and disclaims all liability for damages resulting from use of this information or for any errors or omissions.

Printed in USA

Emerson Network Power.
The global leader in enabling
business-critical continuity.

- AC Power
- Connectivity
- DC Power
- Embedded Power**
- Inbound Power
- Integrated Cabinet Solutions
- Outside Plant
- Precision Cooling
- Site Monitoring and Services

EmersonNetworkPower.com

Notes:

- All specifications subject to change without notice. Mechanical drawings are for reference only.
- Warranty: 1 yr
- Label and logo appearance may vary from what is shown on mechanical drawings.