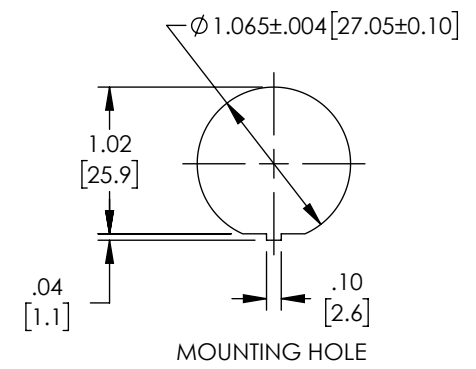
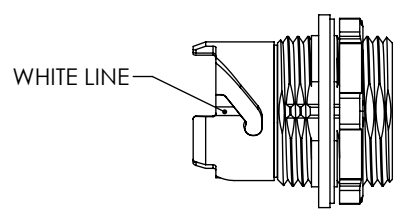
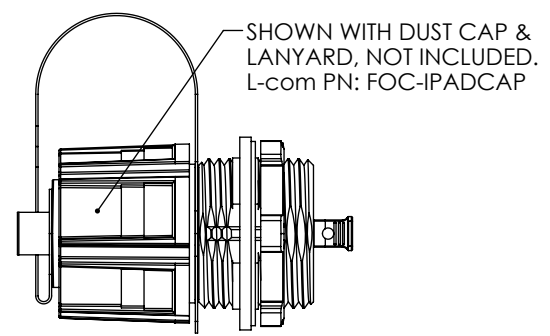
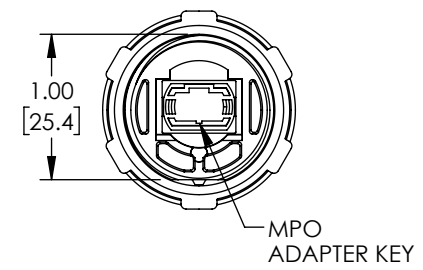
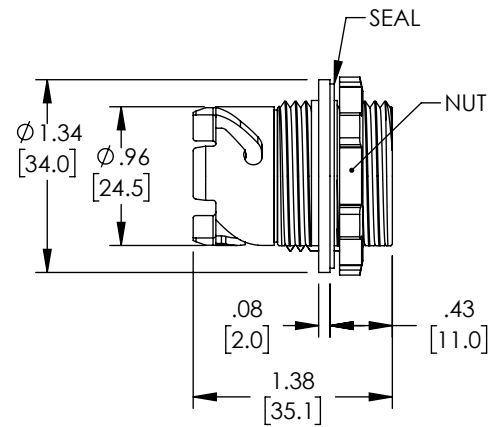
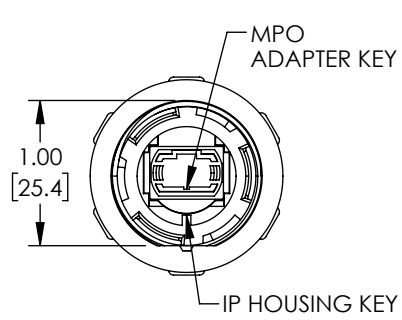


THE INFORMATION CONTAINED IN THIS DRAWING IS THE SOLE PROPERTY OF L-COM, INC. ANY REPRODUCTION IN PART OR WHOLE WITHOUT THE WRITTEN PERMISSION OF L-COM, INC. IS PROHIBITED.


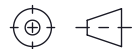
REVISIONS			
REV	DESCRIPTION	DATE	APPROVED
A	INITIAL RELEASE	05/28/2020	PHOSPODAR



NOTES:

1. ASSEMBLY SHALL BE INDIVIDUALLY PACKAGED IN ACCORDANCE WITH L-COM SPECIFICATION PS-0031.

REGULATORY COMPLIANCE:
EU RoHS DIRECTIVE (MOST RECENT RELEASED VERSION)

UNLESS OTHERWISE SPECIFIED, DIMENSIONS ARE IN INCHES [mm] OVERALL CABLE LENGTH TOLERANCE: ≤12 [305] = +1 [25] / -0 >12 [305] ≤60 [1524] = +2 [51] / -0 >60 [1524] ≤120 [3048] = +4 [102] / -0 >120 [3048] ≤300 [7620] = +6 [152] / -0 >300 [7620] = +5% / -0 ALL OTHER DIMENSIONAL TOLERANCES: .X = ± .2 [5] FRACTIONS ± 1/32 .XX = ± .02 [.5] ANGLES ± 1° .XXX = ± .005 [1.3]	APPROVALS	DATE	 50 High Street, West Mill, North Andover, MA 01845 USA. Phone: 1.800.341.5266 1.978.682.6936
	DRAWN BY DZINN	05/28/2020	
THIRD-ANGLE PROJECTION 	CHECKED BY DFRISIELLO	05/28/2020	CATEGORY FIBER OPTIC
	APPROVED BY PHOSPODAR	05/28/2020	
CONFIGURATION DETAILS OF UNDIMENSIONED PARTS MAY VARY	PRODUCT DESCRIPTION IP58 MPO ADAPTER, BULKHEAD, SMF/MMF		SCALE: NONE CAD FILE: FOA-MPB-0.SLDDRW SHEET 1 OF 1
COLOR VARIATIONS MAY OCCUR	SIZE A	CAGE CODE 43321	