

PLEASE CHECK WWW.MOLEX.COM FOR LATEST PART INFORMATION

Part Number: [0878630015](#)
Status: **Active**
Overview: Serial Attached SCSI (SAS) Connectors
Description: 1.27mm Signal Pitch, 0.80mm SCSI Pitch, 1.27mm Power Pitch SAS-2 Receptacle, Vertical, Press fit, 2.70mm Tail Length, 29 Circuits, Lead-Free

Documents:

3D Model	Product Specification PS-87863-060-001 (PDF)
Drawing (PDF)	Packaging Specification PK-87863-001-001 (PDF)
3D Model (PDF)	RoHS Certificate of Compliance (PDF)

Agency Certification

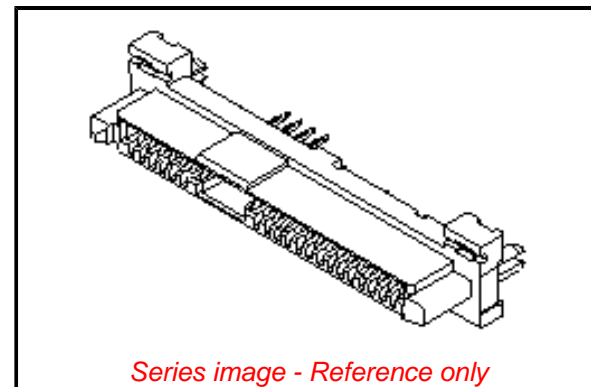
CSA	LR19980
UL	E29179

General

Product Family	I/O Connectors
Series	87863
Application	Board-to-Board
Comments	No pick and place cap
Component Type	Receptacle
Overview	Serial Attached SCSI (SAS) Connectors
Product Name	SAS 6G, SAS-2
Type	N/A
UPC	822348828012

Physical

Boot Color	N/A
Circuits (Loaded)	29
Circuits (maximum)	29
Circuits Detail	Signal 14, Power 15
Color - Resin	Black
Durability (mating cycles max)	500
Flammability	94V-0
Gender	Female
Keying to Mating Part	Yes
Lock to Mating Part	None
Material - Metal	Phosphor Bronze
Material - Plating Mating	Gold
Material - Plating Termination	Tin
Material - Resin	High Temperature Thermoplastic
Net Weight	1.589/g
Number of Rows	2
Orientation	Vertical
PC Tail Length	2.20mm, 2.70mm
PCB Locator	Yes
PCB Retention	Yes
PCB Thickness - Recommended	2.29mm, 3.18mm
Packaging Type	Tray
Panel Mount	Yes
Pitch - Mating Interface	0.80mm, 1.27mm
Pitch - Termination Interface	0.80mm, 1.27mm
Plating min - Mating	0.762µm
Plating min - Termination	2.540µm
Polarized to Mating Part	Yes
Polarized to PCB	Yes
Surface Mount Compatible (SMC)	N/A



EU ELV

Not Relevant

EU RoHS

Compliant
REACH SVHC

Not Contained Per -
D(2020)4578-DC (25
June 2020)

Halogen-Free

Status

Low-Halogen

For more information, please visit [Contact US](#)

China ROHS

ELV

RoHS Phthalates

China RoHS

Green Image

Not Relevant

Not Contained

Search Parts in this Series

[87863 Series](#)

Mates With

[87679](#) , [87799](#) , [87703](#) , SFF 8482 Hard
Disk Drive and Backplane Plug

Temperature Range - Operating	0° to +55°C
Termination Interface: Style	Through Hole - Compliant Pin
Waterproof / Dustproof	No
Wire Size AWG	N/A

Electrical

Current - Maximum per Contact	1.5A
Shielded	No
Voltage - Maximum	30V

Solder Process Data

Lead-free Process Capability	N/A
------------------------------	-----

Material Info**Reference - Drawing Numbers**

Electrical Model Document	EE-87863-001, EE-87863-002, EE-87863-003, EE-87863-004, EE-87863-005, EE-87863-006, EE-87863-007, EE-87863-008
Packaging Specification	PK-87863-001-001
Product Specification	PS-87863-060-001
Sales Drawing	SD-87863-059

This document was generated on 08/25/2020

PLEASE CHECK WWW.MOLEX.COM FOR LATEST PART INFORMATION