

PLEASE CHECK WWW.MOLEX.COM FOR LATEST PART INFORMATION

Part Number: [0745400201](#)
Status: **Active**
Overview: [iPass™ Connector System](#)
Description: PCIe Guide Frame, x8, for Standard Host Boards, With Key

Documents:

[3D Model](#) [RoHS Certificate of Compliance \(PDF\)](#)
[Drawing \(PDF\)](#)

General

| | |
|----------------|---|
| Product Family | I/O Connectors |
| Series | 74540 |
| Application | Module-to-Board |
| Comments | For Standard Host Boards |
| Component Type | Guide |
| Overview | iPass™ Connector System |
| Product Name | ATCA, iPass™, Mini Multi-Lane, PCI Express* |
| Type | N/A |
| UPC | 822350703833 |

Physical

| | |
|--------------------------------|----------------------|
| Circuits (Loaded) | 68 |
| Durability (mating cycles max) | 100 |
| Keying to Mating Part | Yes |
| Lock to Mating Part | Yes |
| Material - Plating Mating | N/A |
| Net Weight | 18.530/g |
| Orientation | Horizontal |
| PCB Retention | Yes |
| Packaging Type | Tray |
| Panel Mount | Yes |
| Pitch - Mating Interface | 0.80mm |
| Polarized to Mating Part | Yes |
| Ports | 1 |
| Temperature Range - Operating | -20°C to +85°C |
| Termination Interface: Style | Crimp or Compression |
| Wire Insulation Diameter | N/A |
| Wire Size AWG | N/A |

Electrical

| | |
|-------------------------------|-----|
| Current - Maximum per Contact | N/A |
| Grounding to Panel | N/A |
| Shielded | Yes |

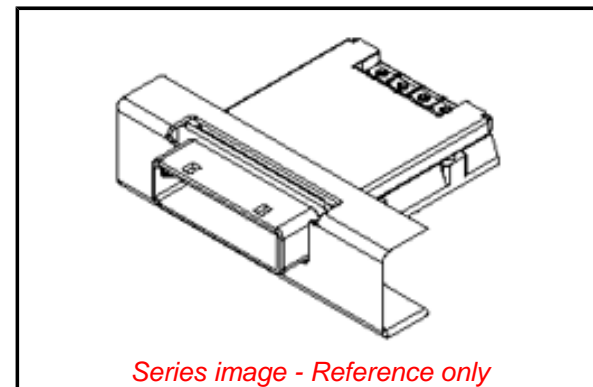
Solder Process Data

| | |
|-----------------------------|-----|
| Lead-freeProcess Capability | N/A |
|-----------------------------|-----|

Material Info

Reference - Drawing Numbers

| | |
|---------------|--------------|
| Sales Drawing | SD-74540-101 |
|---------------|--------------|



Series image - Reference only

EU ELV

Not Relevant

EU RoHS

Compliant

REACH SVHC

Contains SVHC(2014 December 17): No

Halogen-Free

Status

Low-Halogen

Need more information on product environmental compliance?

Email productcompliance@molex.com
Please visit the [Contact Us](#) section for any non-product compliance questions.

China ROHS

ELV

Green Image

Not Relevant

Search Parts in this Series

[74540 Series](#)

Mates With

[74546 iPass™ Cable Assembly](#)