

PLEASE CHECK WWW.MOLEX.COM FOR LATEST PART INFORMATION

Part Number: [0716612068](#)
Status: **Active**
Overview: [EBBI 50D Connector System](#)
Description: 1.27mm Pitch EBBI 50D Plug, Right-Angle, 68 Circuits, 2.79mm PC Tail Length

Documents:

[3D Model](#) [Product Specification PS-71660-001 \(PDF\)](#)
[Drawing \(PDF\)](#) [RoHS Certificate of Compliance \(PDF\)](#)
[Product Specification PS-71660 \(PDF\)](#)

Agency Certification

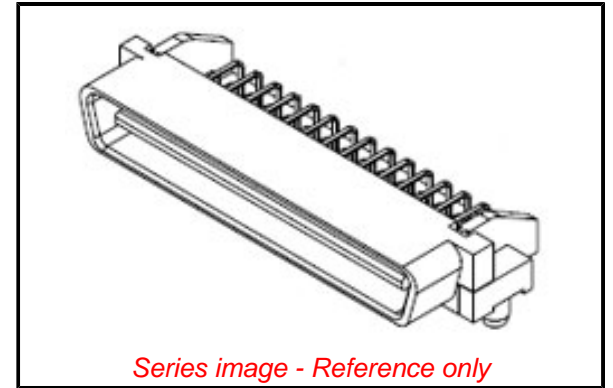
CSA LR19980
 UL E29179

General

Product Family PCB Headers
 Series [71661](#)
 Application Board-to-Board, Signal, Wire-to-Board
 Overview [EBBI 50D Connector System](#)
 Product Name EBBI
 UPC 800754351928

Physical

Breakaway No
 Circuits (Loaded) 68
 Circuits (maximum) 68
 Color - Resin Black
 Durability (mating cycles max) 2000
 First Mate / Last Break No
 Flammability 94V-0
 Glow-Wire Capable No
 Guide to Mating Part No
 Keying to Mating Part None
 Lock to Mating Part Yes
 Material - Metal Brass
 Material - Plating Mating Gold
 Material - Plating Termination Tin
 Material - Resin High Temperature Thermoplastic
 Net Weight 5.739/g
 Number of Rows 2
 Orientation Right Angle
 PC Tail Length 2.79mm
 PCB Locator Yes
 PCB Retention Yes
 PCB Thickness - Recommended 1.60mm
 Packaging Type Tray
 Pitch - Mating Interface 1.27mm
 Pitch - Termination Interface 1.27mm
 Plating min - Mating 0.762µm
 Plating min - Termination 1.270µm
 Polarized to Mating Part Yes
 Polarized to PCB Yes
 Shrouded Fully
 Stackable No
 Surface Mount Compatible (SMC) No
 Temperature Range - Operating -40° to +105°C
 Termination Interface: Style Through Hole



EU ELV

Not Relevant

EU RoHS

Compliant

REACH SVHC

Not Contained Per -
 D(2020)4578-DC (25
 June 2020)

Halogen-Free

Status

Low-Halogen

For more information, please visit [Contact US](#)

China ROHS

ELV

RoHS Phthalates

China RoHS

Green Image

Not Relevant

Not Contained

Search Parts in this Series

[71661](#) Series

Mates With

EBBI 50D Receptacle [71660](#) , [87552](#)

Electrical

Current - Maximum per Contact
Voltage - Maximum

1.0A
30V

Solder Process Data

Lead-free Process Capability
Process Temperature max. C

SMC&WAVE
235

Material Info**Reference - Drawing Numbers**

Product Specification
Sales Drawing

PS-71660, PS-71660-001
SDA-71661-2XXX-001

This document was generated on 08/24/2020

PLEASE CHECK WWW.MOLEX.COM FOR LATEST PART INFORMATION