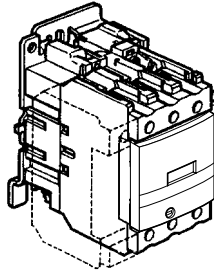


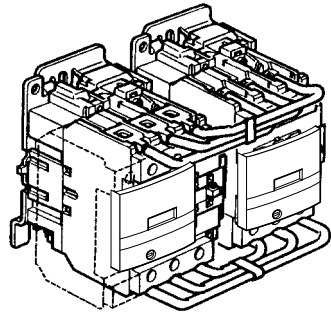
Contacteurs / Contacteurs-Inverseurs
 CONTACTORS / REVERSING CONTACTORS
 SCHÜTZE / WENDESCHÜTZE
 CONTATTORI / TELEINVERTITORI
 CONTACTORES / CONTACTORES- INVERSORES
 CONTACTORES / CONTACTORES- INVERSORES



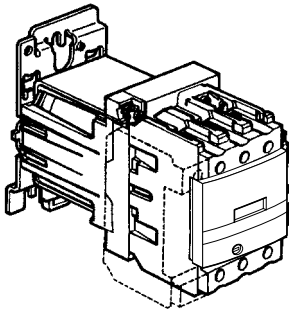
LC1-D40
 LC1-D50
 LC1-D65
 LC1-D80
 LC1-D95



LC2-D40
 LC2-D50
 LC2-D65
 LC2-D80
 LC2-D95

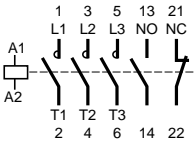


LC1-D40
 LC1-D50
 LC1-D65
 LC1-D80
 LC1-D95

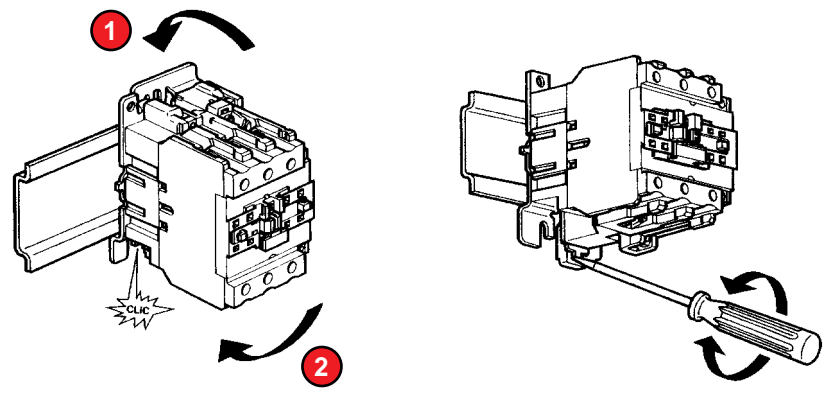
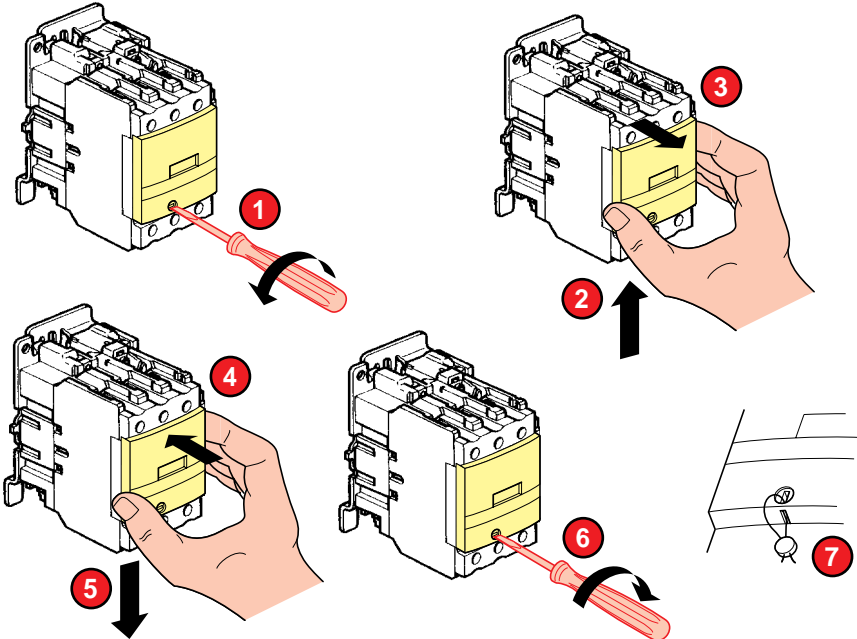
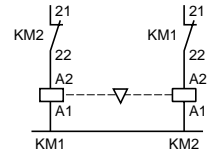
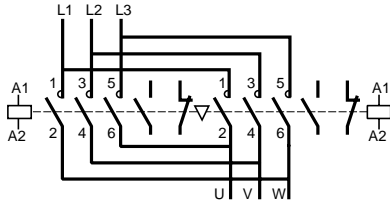


LC1/LC2 - D40 D50 D65 D80 D95

LC1



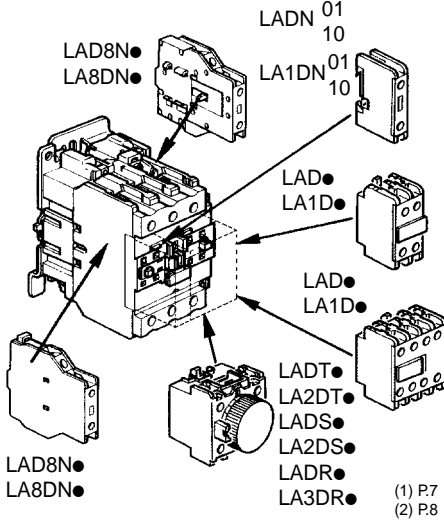
LC2



LC1/LC2 - D40 D50 D65 D80 D95

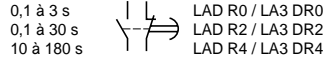
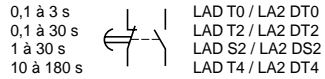
Additifs
ADDER BLOCKS
HILFSSCHALTERBLÖCKE AUFRASTBAR

ADDITIVI
ADITIVOS
ADITIVOS



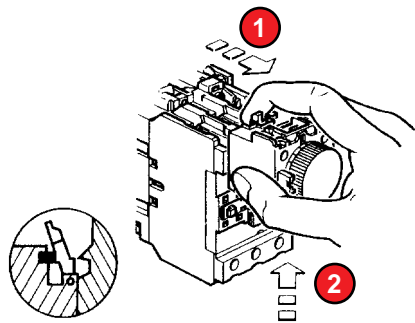
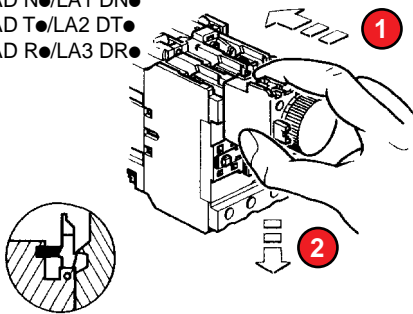
- | | |
|---------------|--------------------|
| 1 "F" | LAD N10 / LA1 DN10 |
| 1 "O" | LAD N01 / LA1 DN01 |
| 1 "F" + 1 "O" | LAD N11 / LA1 DN11 |
| 2 "F" | LAD N20 / LA1 DN20 |
| 2 "O" | LAD N02 / LA1 DN02 |
| 2 "F" + 2 "O" | LAD N22 / LA1 DN22 |
| 1 "F" + 3 "O" | LAD N13 / LA1 DN13 |
| 4 "F" | LAD N40 / LA1 DN40 |
| 4 "O" | LAD N04 / LA1 DN04 |
| 3 "F" + 1 "O" | LAD N31 / LA1 DN31 |
| 2 "F" + 2 "O" | LAD C22 / LA1 DC22 |

- | | |
|-----------------------|--------------|
| 2 "F" | LA1 DX20 (1) |
| 2 "F" + 2 "F" | LA1 DZ40 (1) |
| 1 "F" + 1 "O" + 2 "F" | LA1 DZ31 (1) |
| 2 "F" | LA1 DY20 (1) |

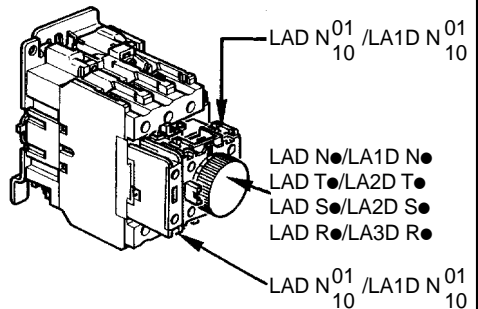
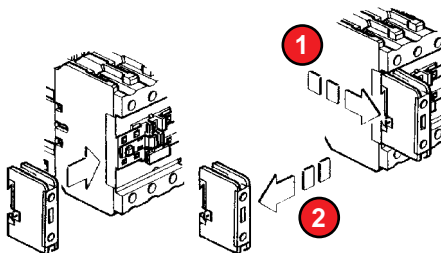


- | | |
|---------------|-------------------------|
| 1 "F" + 1 "O" | LAD 8N11 / LA8 DN11 (2) |
| 2 "F" | LAD 8N20 / LA8 DN20 (2) |

LAD N●/LA1 DN●
 LAD T●/LA2 DT●
 LAD R●/LA3 DR●



LAD N⁰¹₁₀ / LA1 DN⁰¹₁₀

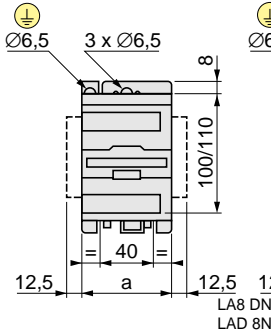


LC1/LC2 - D40 D50 D65 D80 D95

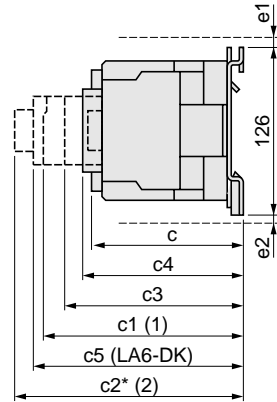
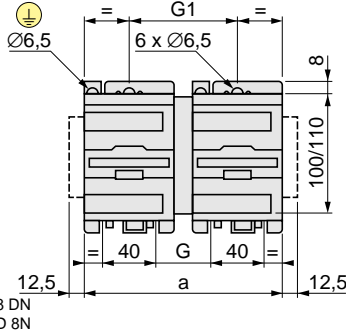
Encombres/Bobines
DIMENSIONS/COILS
ABMESSUNGEN/SPULEN

DIMENSIONI D'INCOMBRO/BOBINE
DIMENSIONES/BOBINAS
ATRAVANCAMENTOS/BOBINAS

LC1-D40/50/65/80/95



LC2-D40/50/65/80/95



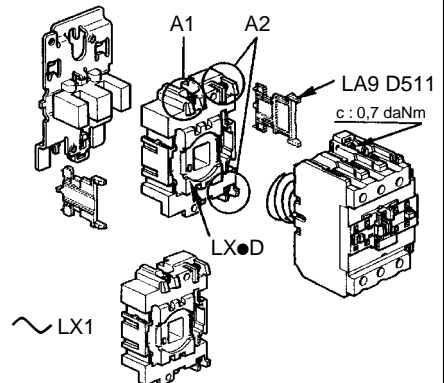
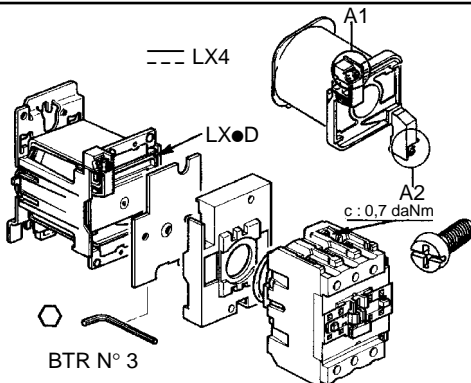
(mm) a	3P
LC1D40...65	75
LC1D80...95	85
LC2D40...65	165
LC2D80...95	182

(mm)	3P			
	e1	c3	G	G1
LC2D40...65	5	142	50	90
LC2D80...95	13	158	57	96

(mm)	3P				
	c	c4	c1	c5	c2
~ LC●D40...65	114	116	146	157	165
~ LC●D80...95	125	127	153	165	176
--- LC1D40...65	171	173	202	213	221
--- LC1D80...95	181	183	210	221	229

- (1): LADN LADC LA1D
- (2): LADR LADT LADS LA2D LA3D

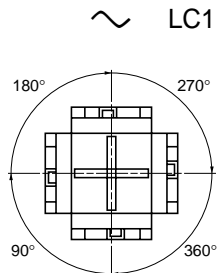
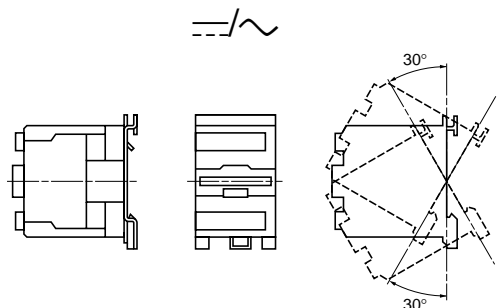
* + 4 mm (LA9 D901)
(mm) 1 inch = 25,4 mm



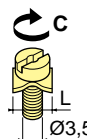
LC1/LC2 - D40 D50 D65 D80 D95


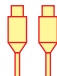

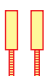

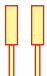




Positions de fonctionnement
OPERATING POSITIONS
BEFESTIGUNGS- LAGE

POSIZIONI DI FUNZIONAMENTO
POSICIONES DE FUNCIONAMIENTO
POSIÇÕES DE FUNCIONAMENTO



Raccordement mini ... maxi
WIRING MIN ... MAX
ANSCHLÜSSE MIN ... MAX
CONNESSIONE MIN ... MAX
CAPACIDAD DE CONEXION MIN ... MAX
LIGAÇÃO MÍN ... MÁX



LC1D LP1D LC2D									L [mm]			C N.m
	[mm ²]	[mm ²]	[mm ²]	[mm ²]	[mm ²]	[mm ²]	[mm]		[mm]		Philips	
D40	1...2,5	1...2,5 + 1...2,5	1...4	1...4 + 1...4	1...4	1...4 + 1...4	8		7,5	Ø 6	2	1,2
D50	2,5 : 25	2,5...10 + 2,5...10	2,5 : 25	2,5...16 + 2,5...16	2,5 : 25	2,5...16 + 2,5...16				Ø 6		
D65								-		Ø 8		5
D80	1...2,5	1...2,5 + 1...2,5	1...4	1...4 + 1...4	1...4	1...4 + 1...4	8		7,5	Ø 6	2	1,2
D95	4 : 50	4...16 + 4...16	4 : 50	4...25 + 4...25	4 : 50	4...25 + 4...25				Ø 6		
D95							4	-		Ø 8		9
LX-D LA-D	1...2,5	1...2,5 + 1...2,5	1...4	1...4 + 1...4	1...4	1...4 + 1...4	8		7,5	Ø 6	2	1,2

LC1/LC2 - D40 D50 D65 D80 D95

Gabarit de perçage

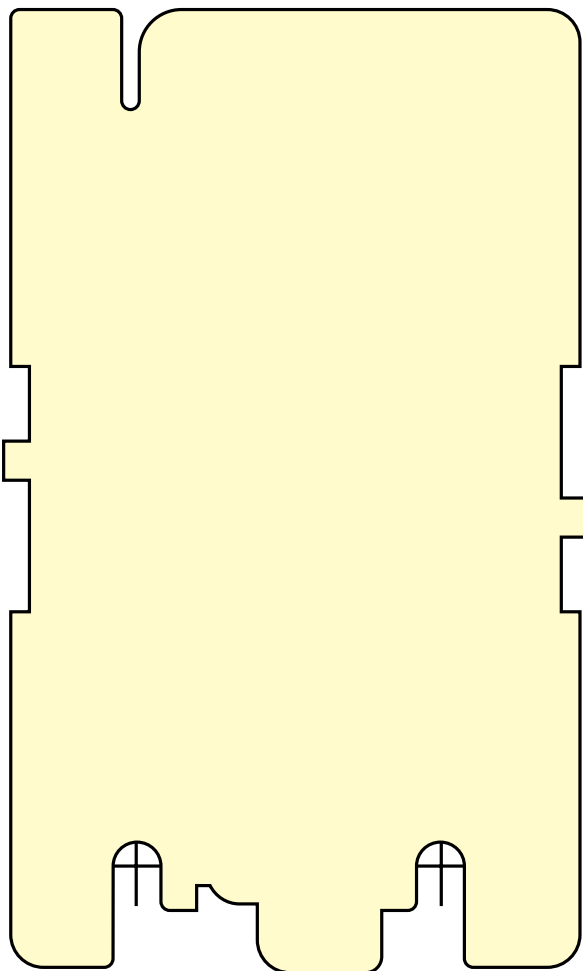
DRILLING TEMPLATE

BOHRSCHABLONE

MASCHERA DI FORATURA

GUIA DE TALADRADO

GABARITO DE FURAÇÃO



LC1/LC2 - D40 D50 D65 D80 D95

Les autres additifs

OTHERS ADDER BLOCKS

HILFSSCHALTERBLÖCKE SEITLICHER ANBAU

GLI ALTRI ADDITIVI

LOS OTROS ADITIVOS

OS OUTROS ADITIVOS

• LA1 DX / DY / DZ

Environnement polluant

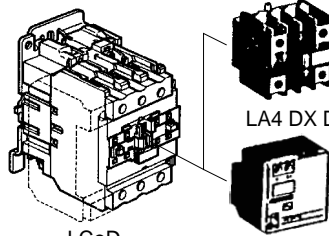
ENVIRONNEMENT POLLUSION

FÜR VERSCHMUTZTE UMGEBUNG

AMBIENTI POLVEROSI

AMBLENTE POLVORIENTO

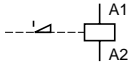
AMBIENTE POLUÍDO



LA4 DX DY DZ

LA6 DK

• LA6 DK



• LA4 DF / DW / DL

Modules d'interface

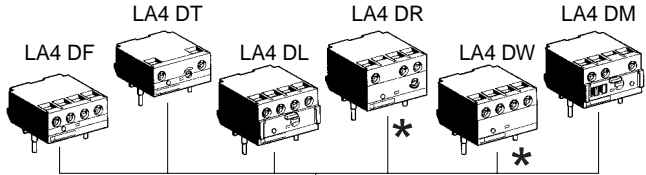
INTERFACE MODULES

INTERFACE - MODULE

MODULI D'INTERFACCIA

MODULOS INTERFACE

MÓDULOS DE INTERFACE



LA4 DT

LA4 DR

LA4 DM

LA4 DF

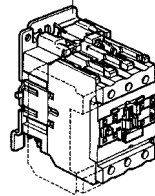
LA4 DL

LA4 DW

~~(*) + LC-D ==~~

• LA4 DM

"Auto O Man"



LC-D

• LA4 DT / DR

Retard à l'excitation ou à la désexcitation bobine

DELAY ON COIL ENERGISATION OR DEENERGISATION

VERZÖGERUNGSBLÖCKE ANSPRECH, RÜCKFALLVER-ZÖGERT

RITARDO ALL'ECCITAZIONE O ALLA DISECCITAZIONE BOBINA

RETRASO A LA CONEXION O A LA DESCONEXION DE LA BOBINA

ATRASO À EXCITAÇÃO OU À DESEXCITAÇÃO DA BOBINA

• LA4 DA / DE / DC / DB

Antiparasites

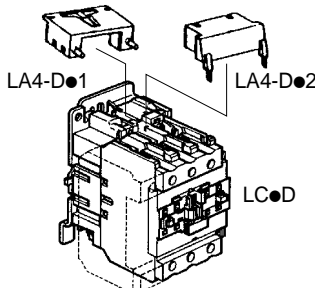
COIL SUPPRESSOR

ÜBERSpannungsbegrenzer

ANTIPARASSITI

ANTIPARASITARIOS

ANTIPARASITAS



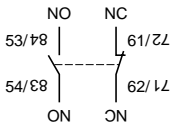
LA4-D-1

LA4-D-2

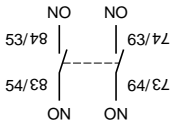
LC-D

LC1/LC2 - D40 D50 D65 D80 D95

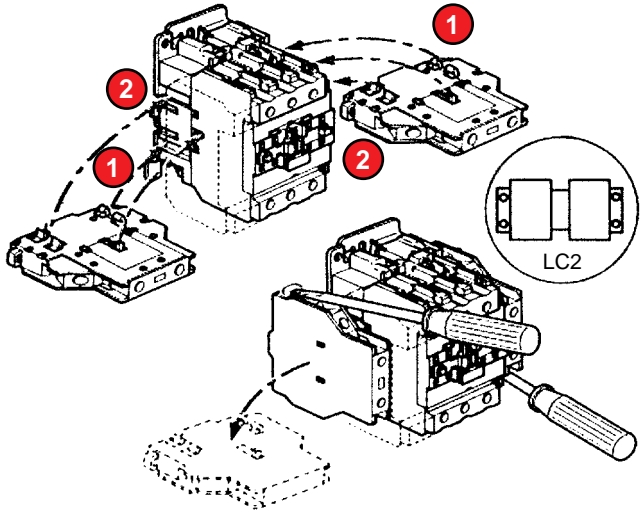
LAD 8N11/LA8 DN11

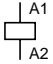




LAD 8N20/LA8 DN20



LC1/LC2



LC1/LC2		Un							
			LADN●/LA1D● LADT●/LA2D● LADR●/LA3D● LA6DK●						
LC1 D40...95	—	0,8 - 1,1	•						
LC1 D40...95	~	0,8 - 1,1	•						
		50-60 Hz		•	•	•	•	•	•
LC2 D40...95		0,85 - 1,1	•	•	•	•	•	•	
	50 Hz	0,8 - 1,1	•	•	•	•	•	•	
	60 Hz		•	•	•	•	•	•	