


Features:

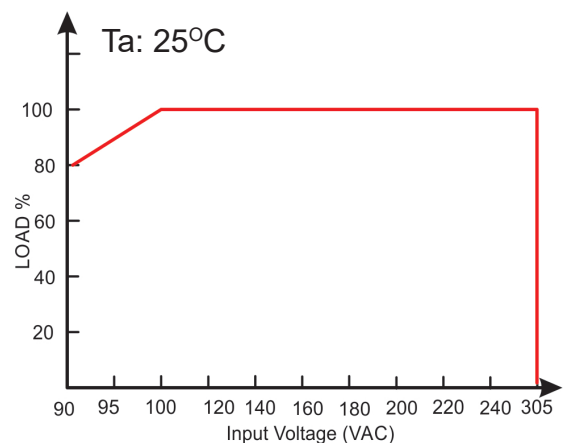
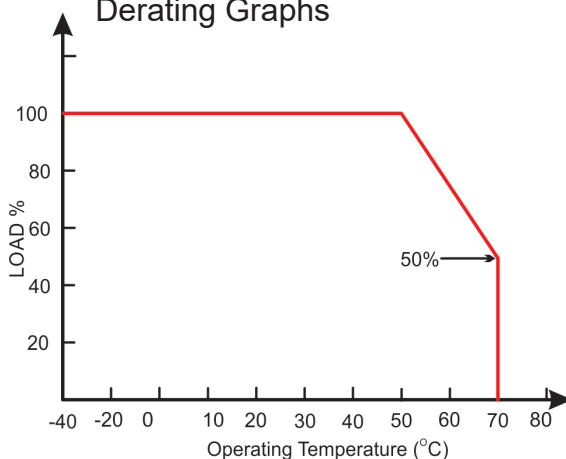
- 10W Single Output - Regulated
- Output Range: 3.3V - 24VDC
- Input: 90 - 305VAC , 47 - 440Hz
- Low Standby Power <0.1W
- Size: 37.0 x 27.5 X 20.0mm
- Fully Isolated Pri - Sec 4000Vrms
- EMC Compliant without external components
- Materials: UL94-V0
- Safety: UL/IEC/EN62368-1, EN60335-1, CE
- 3 Year Warranty

Part Number	Power Rating Watts	Output Voltage (Vdc)	Output Current (mA)	Ambient Temp. (°C)	Efficiency Typical	Input Range
VTX-214-010-303	10	3.3	3000	70	>81%	90 - 305VAC (120-430VDC)
VTX-214-010-305	10	5	2000			
VTX-214-010-307	10	7.5	1330			
VTX-214-010-309	10	9	1110			
VTX-214-010-312	10	12	833			
VTX-214-010-315	10	15	667			
VTX-214-010-324	10	24	417			

Note: Other output voltages are available upon request.

Maximum Capacitive Load:

- 3.3/5V: 3500uF
- 12V: 700uF
- 15V: 390uF
- 24V: 180uF

Derating Graphs


Please contact Vigortronix for any enquiries. Products can be altered to suit custom requirements. The information contained in this document is subject to change without notice.

Vigortronix, 16 De Havilland Way, Witney, Oxfordshire, OX29 0YG, UK

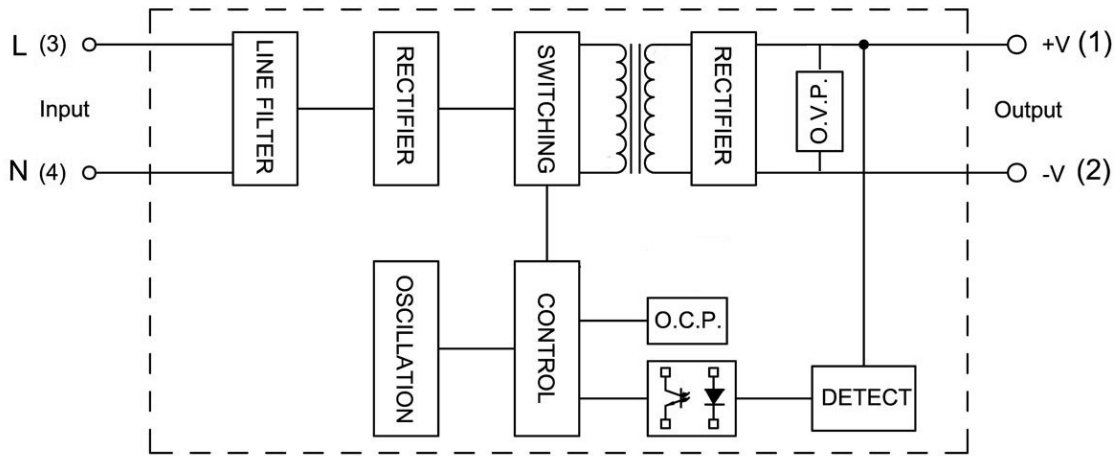
Tel. +44 (0)1993 777570 Fax. +44 (0)1993 777580 Web. www.vigortronix.com E-mail: sales@vigortronix.com

Vigortronix is a trading name of Vigortronix (UK) Limited

Model: 10Watt		Specification
INPUT Pin 3: L Pin 4: N Pin 5: NC	Voltage Range	90 - 305VAC / 47 - 440Hz (120 ~ 430VDC)
	Current	230mA Max (115VAC) / 140mA Max (230VAC)
	Inrush Current	30A Max (115VAC) / 60A Max (230VAC)
	No Load power	0.1W
	Leakage Current	0.25 mA
OUTPUT Pin 1: VDC+ Pin 2: GND	Voltage Accuracy	+/- 2%
	Ripple	<1% Vout (Vp-p)
	Noise	<1% Vout (Vp-p)
	Efficiency	>81%
	Load Regulation	+/-1%
	Hold Up Time	30mSec Min.
	Minimum Load	0
Protection	Over Power	Hiccup mode
	Over Voltage	Zener Diode clamp
	Short Circuit Protection	Hiccup mode
Dielectric Isolation	Input to Output	4000Vrms, 2Sec Min.
Environment	Operating Temperature	-40°C - +70°C (With Derating)
	Storage Temperature	-40°C - +85°C
	MTBF	>450,000Hrs @ 25°C (MIL-HDBK-217F)
	Weight	35g
	Cooling Method	Free Air convection
Safety	Compliant Standards	UL/IEC/EN62368-1, EN60335-1, IEC/EN61558-2-16
EMC	EMI	Compliance with EN55022 Class B
	EMS	Compliance with EN55035

Please contact Vigortronix for any enquiries. Products can be altered to suit custom requirements.
 The information contained in this document is subject to change without notice.

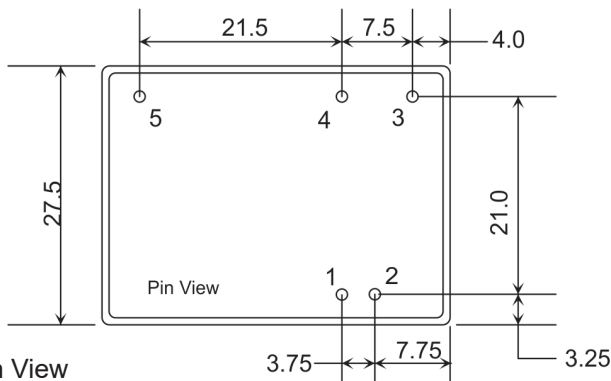
Recommended Application Schematic for EMC



Notes:

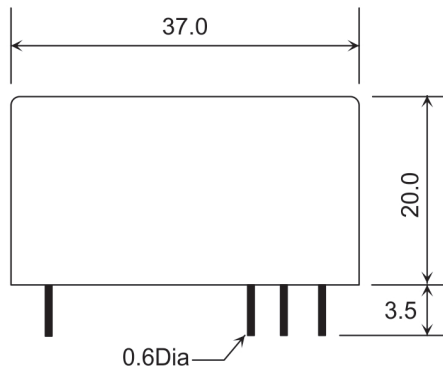
It is recommended to improve Surge Protection adding across the Input a MOV, 14D561K

Mechanical Layout



Pin Designation

- Pin 1: +V0
- Pin 2: GND
- Pin 3: AC IN (L)
- Pin 4: AC IN (N)
- Pin 5: NC



Recommended PCB
Hole size: 1.2mm Dia.

Unit weight: 35g

Please contact Vigortronix for any enquiries. Products can be altered to suit custom requirements.
The information contained in this document is subject to change without notice.

Vigortronix, 16 De Havilland Way, Witney, Oxfordshire, OX29 0YG, UK

Tel. +44 (0)1993 777570 Fax. +44 (0)1993 777580 Web. www.vigortronix.com E-mail: sales@vigortronix.com

Vigortronix is a trading name of Vigortronix (UK) Limited