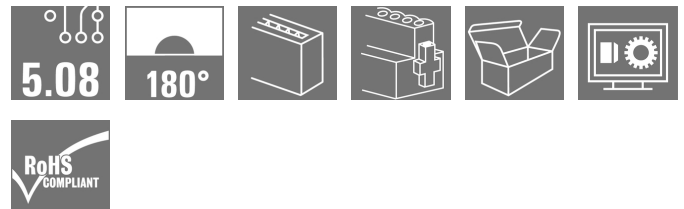


## OMNIMATE Signal - series BL/SL 5.08 SLDF 5.08 L/F 5 SN OR BX

**Weidmüller Interface GmbH & Co. KG**  
Klingenbergstraße 26  
D-32758 Detmold  
Germany  
Fon: +49 5231 14-0  
Fax: +49 5231 14-292083  
www.weidmueller.com

### Product image



Similar to illustration

Male connector for through-panel mounting with optional locking function. Internal connection as flat-blade or solder connection. These male connectors provide space for labelling and can be coded.

### General ordering data

|              |  |
|--------------|--|
| Type         | SLDF 5.08 L/F 5 SN OR BX   |
| Order No.    | <a href="#">1599160000</a>   |
| Version      | PCB plug-in connector, male header, 5.08 mm,<br>Number of poles: 5, 180°, Flat-blade connection,<br>Solder connection, Box |
| GTIN (EAN)   | 4008190079970  |
| Qty.         | 36 pc(s).  |
| Product data | IEC: 400 V / 15 A<br>UL: 300 V / 10 A  |
| Packaging    | Box  |

Creation date 09 September 2020 07:33:55 CEST

**OMNIMATE Signal - series BL/SL 5.08  
SLDF 5.08 L/F 5 SN OR BX**

**Weidmüller Interface GmbH & Co. KG**  
 Klingenbergstraße 26  
 D-32758 Detmold  
 Germany  
 Fon: +49 5231 14-0  
 Fax: +49 5231 14-292083  
 www.weidmueller.com

**Technical data****Dimensions and weights**

|            |          |                 |            |
|------------|----------|-----------------|------------|
| Width      | 45.12 mm | Width (inches)  | 1.776 inch |
| Height     | 17.5 mm  | Height (inches) | 0.689 inch |
| Depth      | 28 mm    | Depth (inches)  | 1.102 inch |
| Net weight | 6.84 g   |                 |            |

**System specifications**

| Product family             | OMNIMATE Signal - series BL/SL 5.08 | Type of connection        | Field connection |
|----------------------------|-------------------------------------|---------------------------|------------------|
| Pitch in mm (P)            | 5.08 mm                             | Pitch in inches (P)       | 0.2 inch         |
| Number of poles            | 5                                   | L1 in mm                  | 20.32 mm         |
| L1 in inches               | 0.8 inch                            | Number of rows            | 1                |
| Pin series quantity        | 1                                   | Volume resistance         | ≤ 5mΩ            |
| Can be coded               | Yes                                 | Plugging cycles           | 25               |
| Plugging force/pole, min.  | 4 N                                 | Plugging force/pole, max. | 6.5 N            |
| Pulling force / pole, min. | 3 N                                 | Pulling force/pole, max.  | 5 N              |

**Material data**

|                                       |                            |                                       |                     |
|---------------------------------------|----------------------------|---------------------------------------|---------------------|
| Insulating material                   | PBT                        | Colour                                | orange              |
| Colour chart (similar)                | RAL 2000                   | Insulating material group             | IIIa                |
| Comparative Tracking Index (CTI)      | ≥ 200                      | Insulation strength                   | ≥ 10 <sup>8</sup> Ω |
| UL 94 flammability rating             | V-0                        | GWFI                                  | 960 °C              |
| Contact material                      | CuSn                       | Contact surface                       | tinned              |
| Layer structure of plug contact       | 4...8 μm Sn hot-dip tinned | Storage temperature, min.             | -40 °C              |
| Storage temperature, max.             | 70 °C                      | Operating temperature, min.           | -50 °C              |
| Operating temperature, max.           | 100 °C                     | Temperature range, installation, min. | -25 °C              |
| Temperature range, installation, max. | 100 °C                     |                                       |                     |

**Conductors suitable for connection**

|                |  |
|----------------|--|
| Reference text | The outside diameter of the plastic collar should not be larger than the pitch (P). Length of ferrules is to be chosen depending on the product and the rated voltage. |
|----------------|--|

**Rated data acc. to IEC**

|   |                        |   |       |
|---|------------------------|---|-------|
| tested acc. to standard   | IEC 60664-1, IEC 61984 | Rated current, min. number of poles (Tu=20°C)                         | 15 A  |
| Rated current, min. number of poles (Tu=40°C)                             | 13 A                   | Rated voltage for surge voltage class / pollution degree II/2         | 400 V |
| Rated voltage for surge voltage class / pollution degree III/2            | 320 V                  | Rated voltage for surge voltage class / pollution degree III/3        | 250 V |
| Rated impulse voltage for surge voltage class/ pollution degree II/2      | 4 kV                   | Rated impulse voltage for surge voltage class/ pollution degree III/2 | 4 kV  |
| Rated impulse voltage for surge voltage class/ contamination degree III/3 | 4 kV                   |   |       |


**Data sheet**

**OMNIMATE Signal - series BL/SL 5.08  
SLDF 5.08 L/F 5 SN OR BX**


**Weidmüller Interface GmbH & Co. KG**  
Klingenbergstraße 26  
D-32758 Detmold  
Germany  
Fon: +49 5231 14-0  
Fax: +49 5231 14-292083  
www.weidmueller.com

**Technical data**

**Rated data acc. to CSA**

|                                   |   |                                   |                |
|-----------------------------------|---|-----------------------------------|----------------|
| Institute (CSA)                   |  | Certificate No. (CSA)             | 200039-1121690 |
| Rated voltage (Use group B / CSA) | 300 V   | Rated voltage (Use group D / CSA) | 300 V          |
| Rated current (Use group B / CSA) | 10 A  | Rated current (Use group D / CSA) | 10 A           |
| Reference to approval values      | Specifications are maximum values, details - see approval certificate.            |                                   |                |

**Rated data acc. to UL 1059**

|                                       |   |                                       |        |
|---------------------------------------|---|---------------------------------------|--------|
| Institute (UR)                        |  | Certificate No. (UR)                  | E60693 |
| Rated voltage (Use group B / UL 1059) | 300 V   | Rated voltage (Use group D / UL 1059) | 300 V  |
| Rated current (Use group B / UL 1059) | 10 A  | Rated current (Use group D / UL 1059) | 10 A   |
| Reference to approval values          | Specifications are maximum values, details - see approval certificate.            |                                       |        |

**Packing**

|           |       |            |        |
|-----------|-------|------------|--------|
| Packaging | Box   | VPE length | 83 mm  |
| VPE width | 96 mm | VPE height | 164 mm |

**Classifications**

|             |             |            |             |
|-------------|-------------|------------|-------------|
| ETIM 6.0    | EC002637    | ETIM 7.0   | EC002637    |
| eClass 9.0  | 27-44-04-02 | eClass 9.1 | 27-44-04-02 |
| eClass 10.0 | 27-44-04-02 | UNSPSC     | 30-21-18-10 |

**Notes**

|                |  |
|----------------|--|
| Notes          | <ul style="list-style-type: none"> <li>• Additional colours on request</li> <li>• Rated current related to rated cross-section &amp; min. No. of poles.</li> <li>• Connectable cables with solder connection solid and flexible up to 2.5 mm<sup>2</sup> with insulating/shrink-wrap sleeve or from 2.8 mm flat blade receptacles with insulated sleeves acc. to DIN IEC 760</li> <li>• P on drawing = pitch</li> <li>• Rated data refer only to the component itself. Clearance and creepage distances to other components are to be designed in accordance with the relevant application standards.</li> <li>• Long term storage of the product with average temperature of 50 °C and average humidity 70%, 36 months</li> </ul> |
| IPC conformity | Conformity: The products are developed, manufactured and delivered according international recognized standards and norms and comply with the assured properties in the data sheet resp. fulfill decorative properties in accordance with IPC-A-610 "Class 2". Further claims on the products can be evaluated on request.   |

**Data sheet**

**OMNIMATE Signal - series BL/SL 5.08  
SLDF 5.08 L/F 5 SN OR BX**

**Weidmüller Interface GmbH & Co. KG**  
Klingenbergstraße 26  
D-32758 Detmold  
Germany  
Fon: +49 5231 14-0  
Fax: +49 5231 14-292083  
www.weidmueller.com

**Technical data**

**Approvals**

Approvals



ROHS

Conform

**Downloads**

Approval/Certificate/Document of Conformity

[Declaration of the Manufacturer](#)

Brochure/Catalogue

- [FL DRIVES EN](#)
- [MB DEVICE MANUF. EN](#)
- [FL DRIVES DE](#)
- [CAT 2 PORTFOLIOGUIDE EN](#)
- [FL BUILDING SAFETY EN](#)
- [FL APPL LED LIGHTING EN](#)
- [FLIndustr.CONTROLS EN](#)
- [FL MACHINE SAFETY EN](#)
- [FL HEATING ELECTR EN](#)
- [FL APPL INVERTER EN](#)
- [FL\\_BASE\\_STATION\\_EN](#)
- [FL ELEVATOR EN](#)
- [FL POWER SUPPLY EN](#)
- [FL 72H SAMPLE SER EN](#)
- [PO OMNIMATE EN](#)

Engineering Data

[WSCAD](#)

Engineering Data

[STEP](#)

Product Change Notification

- [EN - Change of packaging](#)
- [DE - Change of packaging](#)
- [Packaging SLDF-PL30 DE](#)
- [Packaging SLDF-PL30 EN](#)

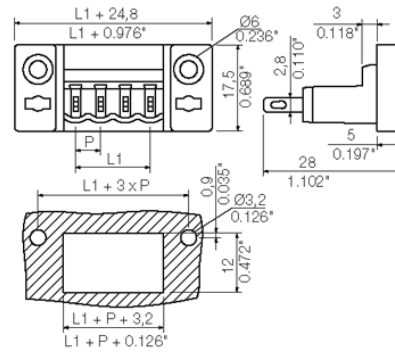
**Data sheet**

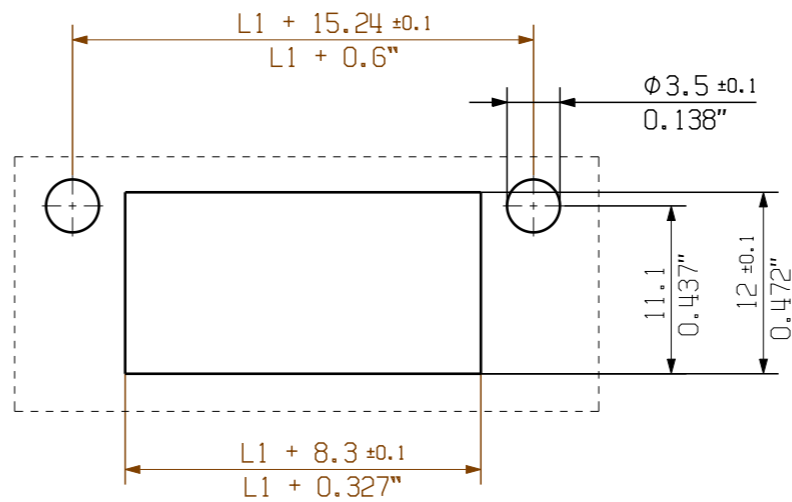
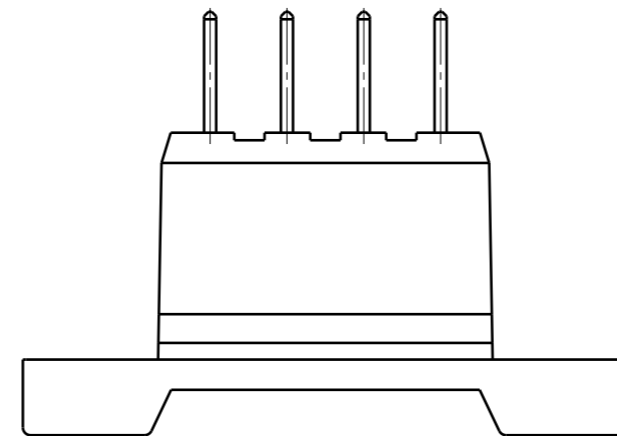
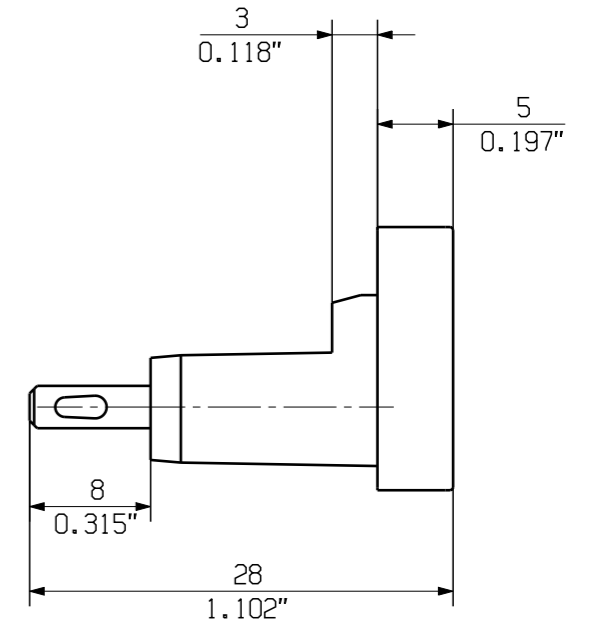
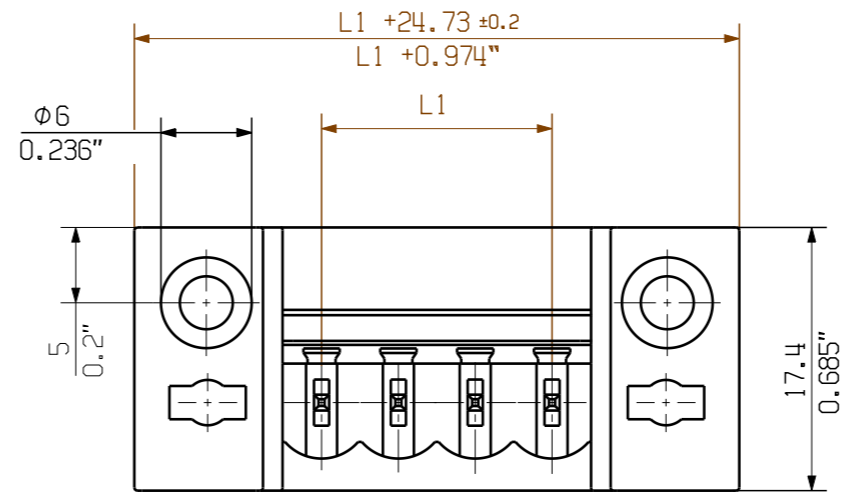
**OMNIMATE Signal - series BL/SL 5.08  
SLDF 5.08 L/F 5 SN OR BX**

**Weidmüller Interface GmbH & Co. KG**  
Klingenbergstraße 26  
D-32758 Detmold  
Germany  
Fon: +49 5231 14-0  
Fax: +49 5231 14-292083  
www.weidmueller.com

**Drawings**

**Dimensional drawing**

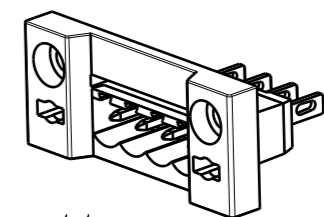
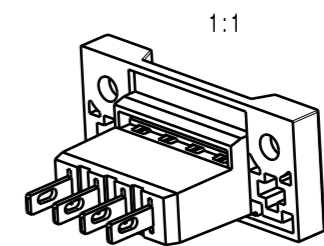




n = no of poles/Polzahl

P = Pitch/Raster

SHOWN: SLDF 5.08 L/F 4



|    |         |           |
|----|---------|-----------|
| 16 | 76,20   | 3,000     |
| 15 | 71,12   | 2,800     |
| 14 | 66,04   | 2,600     |
| 13 | 60,96   | 2,400     |
| 12 | 55,88   | 2,200     |
| 11 | 50,80   | 2,000     |
| 10 | 45,72   | 1,800     |
| 9  | 40,64   | 1,600     |
| 8  | 35,56   | 1,400     |
| 7  | 30,48   | 1,200     |
| 6  | 25,40   | 1,000     |
| 5  | 20,32   | 0,800     |
| 4  | 15,24   | 0,600     |
| 3  | 10,16   | 0,400     |
| 2  | 5,08    | 0,200     |
| n  | L1 [mm] | L1 [Inch] |

For the mounting of PCBs, it should be noted that the rated data relates only to the PCB components alone. The necessary creepage and clearance paths must be observed in connection with the respective applicant in accordance to IEC 664 / VDE 0110. The current-carrying capacity and pitch tolerance is to be determined according to DIN IEC 326 part 3 very fine.

Weidmüller PCB components are tested to the DIN EN 61984 standard, and are valid for its field of application. Provided that the components are used to the intended purpose, all requirements with respect to the occurring of electrical, mechanical, thermic and corrosive stress will be satisfied.

|               |                |  |          |  |                         |
|---------------|----------------|--|----------|--|-------------------------|
|               | DIN ISO 2768-m | 95845/0<br>24.05.18 AMANN_A                    | 02       |  | Cat.no.: .              |
|               | Modification   | Drawing no. <b>3 19703</b> Issue no. <b>14</b> |          |  | Sheet 02 of 03 sheets   |
|               | Drawn          | 21.11.2007                                     | HELIS_MA | <b>SLDF 5.08 L/F..</b><br>STIFTLISTE<br>PIN HEADER | Product file: SLDF 5.08 |
| Scale: 2/1    | Responsible    |  | AMANN_A  |  |                         |
| Supersedes: . | Checked        | 25.05.2018                                     | HELIS_MA |  |                         |
|               | Approved       |  | LANG_T   |  | 7306                    |

The reproduction, distribution and utilization of this document as well as the communication of its contents to others without explicit authorization is prohibited. Offenders will be held liable for the payment of damages. Weidmüller exclusively reserves the right to file for patents, utility models or designs.

© Weidmüller Interface GmbH & Co. KG