

Socket

2.5mm Jack, 3Pole

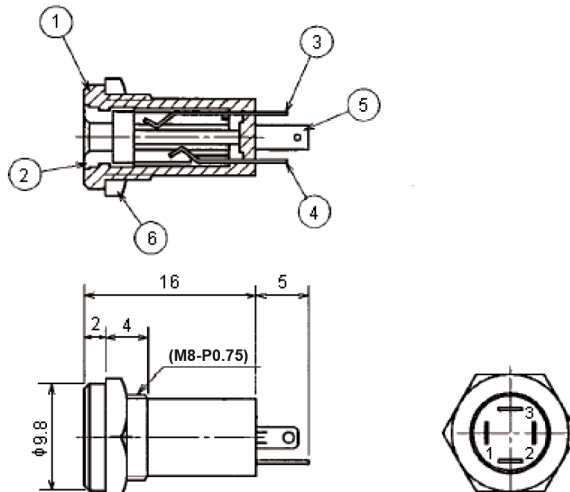
multicomp PRO



Diagram

Specifications:

Connector Type	: RCA / Phono
No. of Contacts	: 3
Gender	: Receptacle
Contact Termination	: Solder
Contact Plating	: Gold
Pin Size	: 2.5mm
Connector Mounting	: Panel
Connector Body Material	: Polyamide
Connector Colour	: Black
Connector Body Material	: Metal
Di-electric Strength	: 500V AC for One minute
Insulation Resistance Min.	: 100MΩ at 500V DC
Contact Resistance Max.	: 50mΩ



Dimensions : Millimetres

Item	Part Name	Material	Material Thickness	Finish
1	Housing	PA	-	-
2	Sleeve	BSBM	-	Au
3	Contact A	FAB-EH	0.25	
4	Contact B			
5	Contact C	BSR	0.3	Ni
6	Hexagonal nut	BSBM	-	

Part Number Table

Description	Part Number
2.5mm Jack - Socket, 3 Pole	MJ-071H

Important Notice : This data sheet and its contents (the "Information") belong to the members of the AVNET group of companies (the "Group") or are licensed to it. No licence is granted for the use of it other than for information purposes in connection with the products to which it relates. No licence of any intellectual property rights is granted. The Information is subject to change without notice and replaces all data sheets previously supplied. The Information supplied is believed to be accurate but the Group assumes no responsibility for its accuracy or completeness, any error in or omission from it or for any use made of it. Users of this data sheet should check for themselves the Information and the suitability of the products for their purpose and not make any assumptions based on information included or omitted. Liability for loss or damage resulting from any reliance on the Information or use of it (including liability resulting from negligence or where the Group was aware of the possibility of such loss or damage arising) is excluded. This will not operate to limit or restrict the Group's liability for death or personal injury resulting from its negligence. Multicomp Pro is the registered trademark of Premier Farnell Limited 2019.

Newark.com/multicomp-pro
 Farnell.com/multicomp-pro
 Element14.com/multicomp-pro

multicomp PRO