



# Product Change Notification

Current Date: 30-Jun-2020

## TE Connectivity

Product Change Notification: E-20-008867

PCN Date: 27-JUN-20

Customer: TTI Inc(0000139702)

Location: WORLDWIDE

Agreement: Agreement Unknown

TE would like to inform you of the following change(s) to the listed TE Connectivity Product. In case of any further questions about this change(s), please contact your TE Connectivity Sales Engineer. Affected part, drawing and/or specification numbers are listed on the attached sheet(s).

**General Product Description:**

PRODUCT GROUP DRAWING FOR 2.8 mm FASTIN-FASTON TAB ( CD: 1670467 )

**Description of Changes**

R dimension is changed to reference dimension. The drawings for the listed part numbers have been modified to correct following; 928923, 928931 Before: R 1.8 After: reference

**Other attachments:**
[Customer drawing](#)
[Customer drawing](#)
**Reason for Changes:**

Product Improvement. Manufacturing request

**Estimated Dates:**

Last Order Date (Obsolete Parts Only):

First Date To Ship (Changed Parts Only):

Last Ship Date (Obsolete Parts Only):

Last Date for Mixed Shipments: (Changed Parts Only):

No Mixed Shipments

The documents listed below are being modified. Related parts that are not explicitly listed on this PCN are not being modified or discontinued as per the PCN. The Last Order Date, Last Ship Date, First Date to Ship Changed Parts and last date for Mixed Shipments apply only to parts explicitly listed on this PCN.

**Note: This PCN contains only document changes, these changes do not affect the form, fit or function of the parts referenced.**

**Customer Drawing(s) Being Modified:**

Drawing Number	Related Part Number	Customer Part Number	Current Revision	New Revision
<a href="#">1670467</a>	927892-1, 928781-2	TYC927892-1	A5	
<a href="#">928923</a>	928923-1		A1	

Customer: TTI, Inc. ( 1305175 )

Location: Maisach-gerlninden

Agreement Number: TTI001

The documents listed below are being modified. Related parts that are not explicitly listed on this PCN are not being modified or discontinued as per the PCN. The Last Order Date, Last Ship Date, First Date to Ship Changed Parts and last date for Mixed Shipments apply only to parts explicitly listed on this PCN.

**Customer Drawing(s) Being Modified:**

Drawing Number	Related Part Number	Customer Part Number	Current Revision	New Revision
<a href="#">1670467</a>	927892-1	TYC927892-1	A5	
<a href="#">928923</a>	928923-1		A1	

Customer: TTI Inc ( 3164508 )

Location: Fort Worth

Agreement Number: Agreement Unknown

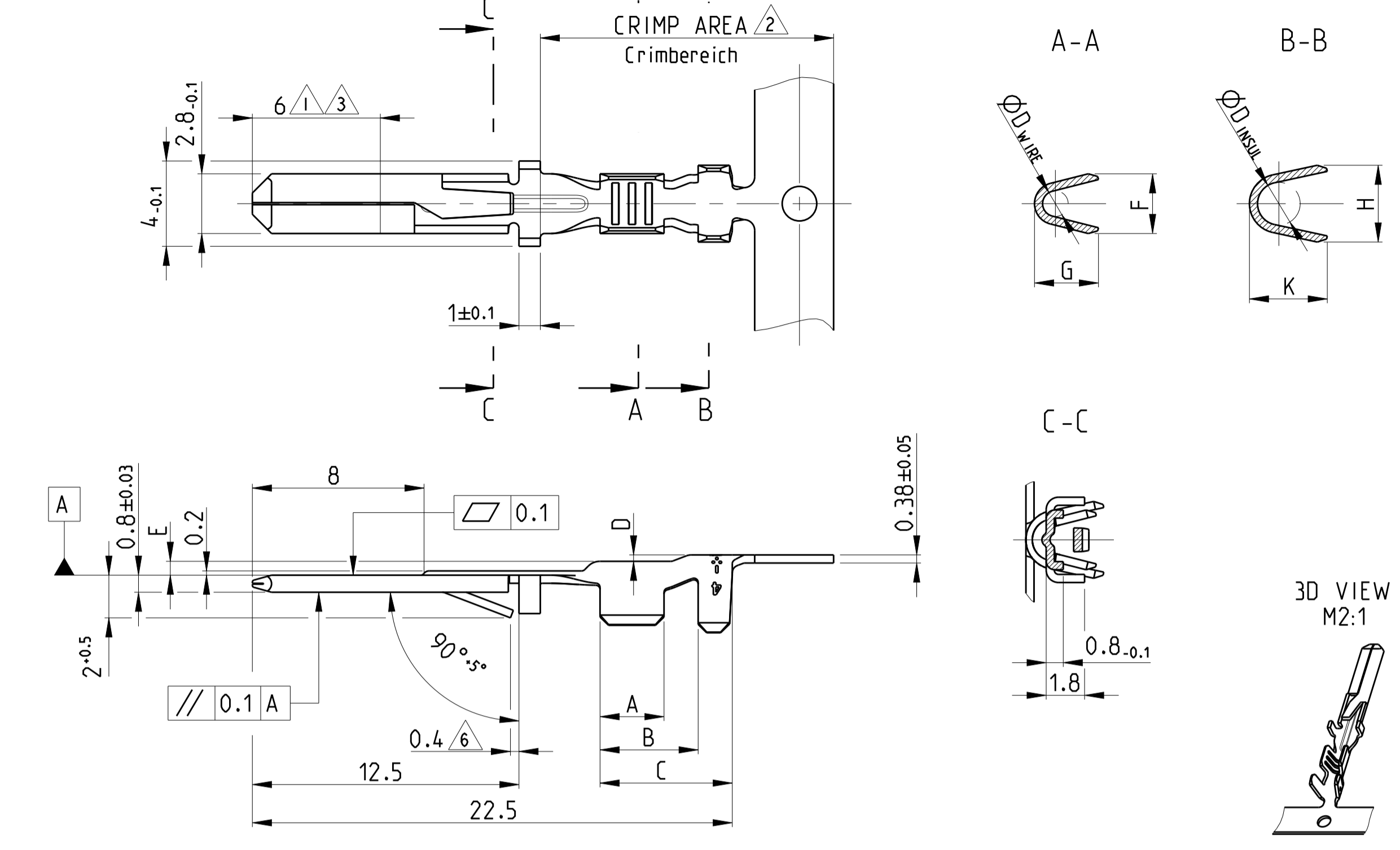
The documents listed below are being modified. Related parts that are not explicitly listed on this PCN are not being modified or discontinued as per the PCN. The Last Order Date, Last Ship Date, First Date to Ship Changed Parts and last date for Mixed Shipments apply only to parts explicitly listed on this PCN.

**Customer Drawing(s) Being Modified:**

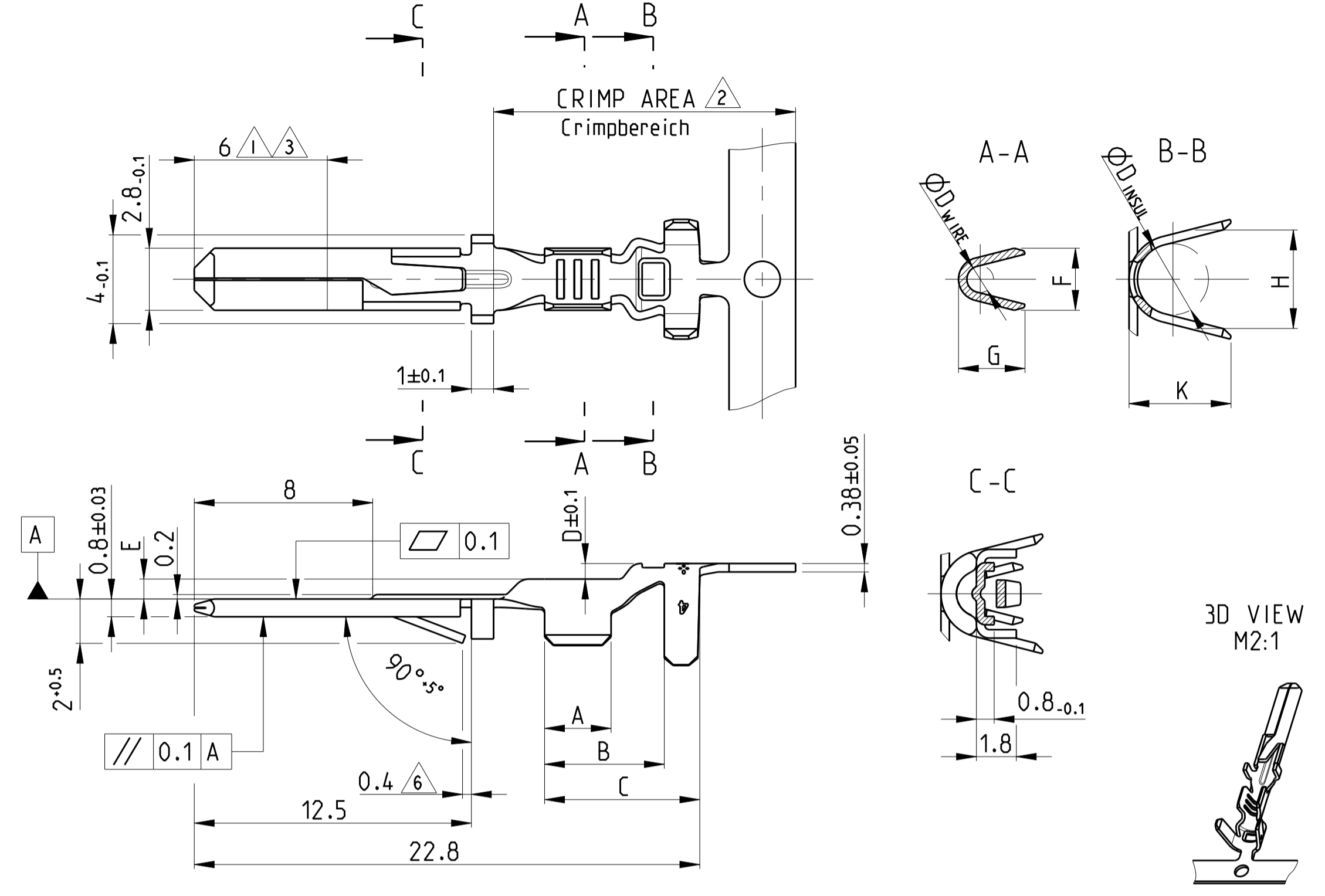
Drawing Number	Related Part Number	Customer Part Number	Current Revision	New Revision
<a href="#">1670467</a>	928781-2		A5	



STRIP FORM - UNSEALED  
Bandware - ungedichtet

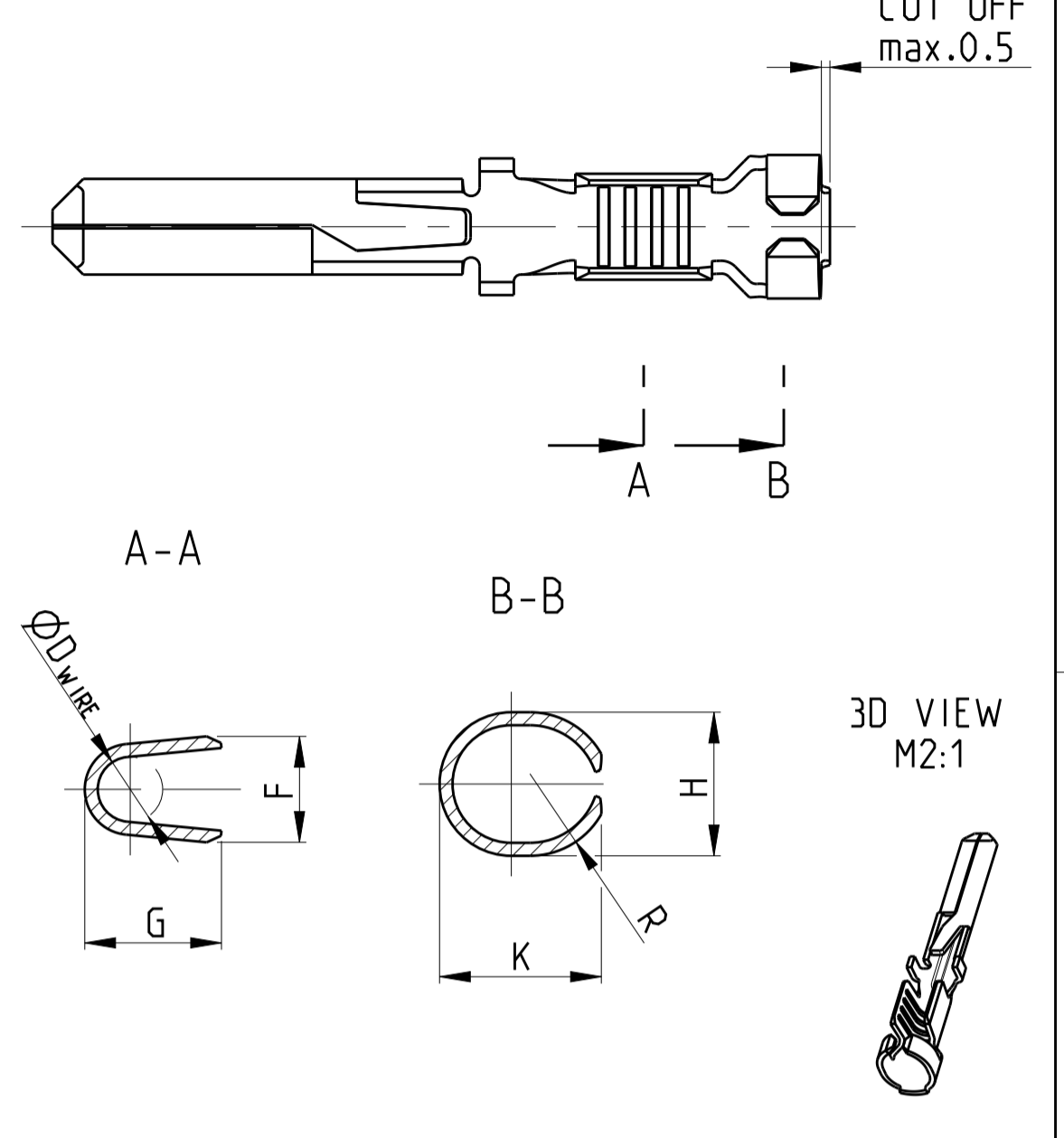


STRIP FORM - SINGLE WIRE SEAL  
Bandware - Einzel-Dichtung System



REVISIONS				
P	LTR	DESCRIPTION	DATE	APPV
A2		REVISED PER ECR-19-019293	07FEB2020	BH E.W
A3		REVISED PER ECR-20-004995	17APR2020	MK E.W
A4		REVISED PER ECR-20-006366	7MAY2020	MK E.W
A5		REVISED PER ECR-20-006505	27MAY2020	MK EW
A6		REVISED PER ECR-20-008867	22JUN2020	

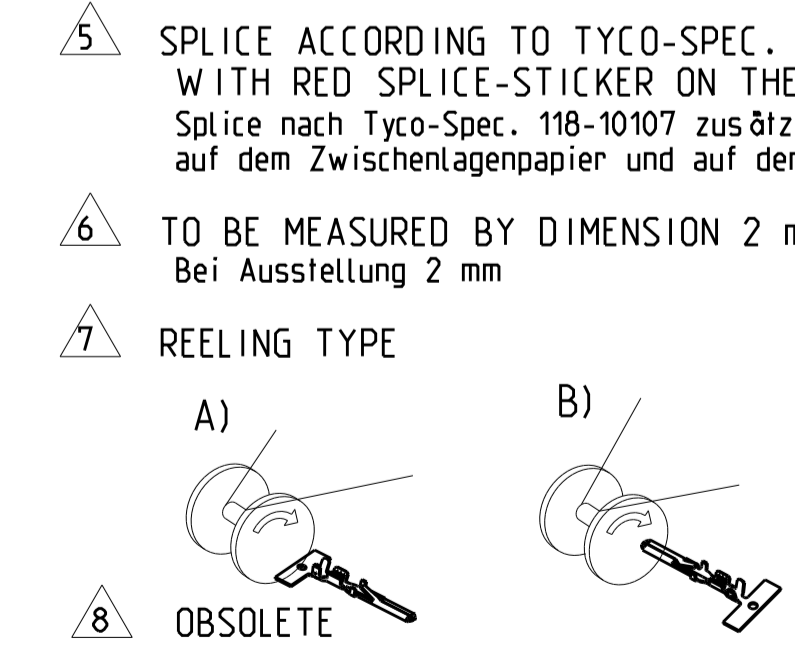
LOOSE PIECE  
Einzelausführung



HAND TOOL Handzage	APPLICATOR Anschlag-WKZ	K	H	R	G	F	D <sub>WIRE</sub>	K	H	D <sub>INSUL</sub>	G	F	D <sub>WIRE</sub>	E	D	C	B	A	REELING	INSULATION RANGE Isolations-durchmesser	WIRE RANGE DGB [mm 2]	FINISH Oberfläche	MATERIAL	TYCO ORDER No. LOOSE PIECE Einzelausführung	REV	TYCO ORDER No. STRIP FORM Bandware	SINGLE WIRE SEAL/ Einzel-Dichtung		UNSEALED / ungedichtet	
																											Ø	FLR	Ø	FLR
N/A	N/A	4.3	4.8	2.8	4.0	3.1	1.7	4.6	5.6	3.6	4.0	3.8	1.7	0.85	0.95	7.5	5.9	3.5	B	Ø3.4	1.0 - 2.5	PRETINNED min.1µm	CuSn4	8 0-965975-5	J	8 0-929949-5				
N/A	N/A	4.3	4.8	2.8	3.0	2.2	1.2	4.6	5.4	3.2	3.0	2.8	1.2	0.9	0.7	7.0	5.4	3.0	A	Ø3.4	0.5 - 1.0	SEL. GOLD PLATED 1/2	CuSn4	8 0-965974-7	A	8 0-929948-7				
2-1579001-1 WITH DIE SET: mit Matrize: 1579001-2	N/A	2.5	2.5	1.4	2.2	2.0	0.8	2.8	2.8	1.4	2.2	2.2	0.8	0.65	0.2	5.7	4.1	2.5	B	Ø1.15 - 1.6	0.2 - 0.5	PRETINNED min.1µm	CuSn4	8 0-963962-5	D	8 0-963961-5				
539635-1 WITH DIE SET: mit Matrize: 539743-2	878416-0	3.7	3.1	(1.8)	3.0	2.2	1.2	4.1	3.9	1.8	3.0	2.8	1.2	0.65	0.2	6.2	4.6	3.0	A	Ø1.4 - 2.3	0.5 - 1.0	SEL. GOLD PLATED 1/2	CuZn30	8 0-965975-4	J	8 0-929949-4				
169400 WITH DIE SET: mit Matrize: 734262 - 0	878402-0	4.4	3.8	2.3	4.0	3.1	1.8	4.9	4.7	2.6	4.0	3.8	1.8	1.15	0.3	7.2	5.6	4.0	A	Ø1.8 - 2.9	1.0 - 2.5	PRETINNED min.1µm	CuZn30	8 0-963962-3	D	8 0-929949-3				
N/A	878227-0	4.8	4.2	2.4	4.0	3.1	1.9	5.3	4.8	3.1	4.0	3.8	1.9	1.15	0.4	7.2	5.6	4.0	A	Ø2.3 - 3.5 RB-Leitung	1.5 - 3	PRETINNED min.1µm	CuSn4	8 0-928931-5	P	0-928930-5				
N/A	N/A	3.3	3.1	(1.8)	3.0	2.2	1.2	3.65	3.6	2.0	3.0	2.8	1.2	0.65	0.3	6.2	4.6	3.0	A	Ø1.6 - 2.2 RB-Leitung	0.5 - 1.0	SEL. SILVER PLATED 3	CuSn4	8 0-928924-4	R	8 0-928923-4				

NOTES:  
Bemerkungen

- 1 CONTACT AREA min.0.75 µm Au OVER min.1.25 µm Ni  
Kontaktbereich min.0.75 µm Au über min.1.25 µm Ni
- 2 CRIMP AREA 1-2 µm Sn OVER min.0.05 µm Ni  
Crimpbereich 1-2 µm Sn über min.0.05 µm Ni
- 3 Min.3 µm Ag IN LOCALIZED AREA. FLASH Ag ON REMAINDER.  
BOTH OVER min.1.25 µm Ni  
Min.3 µm Ag im lokalisierte Bereich. Rest flashversilbert, beide über min.1.25 µm Ni
- 4 ALL VERSIONS SPLICE FREE EXCEPT OF 5  
Alle Versionen Splice-free außer 5
- 5 SPLICE ACCORDING TO TYCO-SPEC. 118-10107 SPLICE ADDITIONAL MARK  
WITH RED SPLICE-STICKER ON THE INTERLEAVING PAPER AND ON THE REEL  
Splice nach Tyco-Spec. 118-10107 zusätzlich Splice mit rotem Splice-Aufkleber  
auf dem Zwischenlagenpapier und auf dem Reel kennzeichnen
- 6 TO BE MEASURED BY DIMENSION 2 mm  
Bei Ausstellung 2 mm
- 7 REELING TYPE
- 8 OBSOLETE



THIS DRAWING IS A CONTROLLED DOCUMENT.

DIMENSIONS: mm

TOLERANCES UNLESS OTHERWISE SPECIFIED:  
ISO 2768 -H E

0 PLC ±0.2  
1 PLC ±0.2  
2 PLC ±0.2  
3 PLC ±0.2  
4 PLC ±0.2  
ANGLES ±1.5°

MATERIAL: see table siehe Tabelle

OTHER: see table siehe Tabelle

OWNER: T. Konecny 21AUG2006  
CHK: P.Hasek 60CT2006  
APPV: P.Vlcek 90CT2006

NAME: PRODUCT GROUP DRAWING FOR 2.8 mm FASTIN-FASTON 19B

SIZE: 116-18014  
WEIGHT: -

SCALE: 5:1 SHEET 1 OF 1

RESTRICTED TO: A | 00779 C=1670467

CUSTOMER DRAWING

LOC	DIST	REVISIONS					
GT		P	LTR	DESCRIPTION	DATE	DWN	APVD
			1		New drawing	20CT1986	RK
	A			New group and reference drawing created	90CT2006	TK	RVL
	A1			REVISED PER ECR-20-006505	20MAY2020	MK	EW
	A2			REVISED PER ECR-20-008867	22JUN2020		

PRETINNED	CuSn4	0-928923-5	
SEL. SILVER PLATED	CuSn4	<del>0-928923-4</del>	OBSOLETE
PLAIN	CuSn4	<del>0-928923-3</del>	OBSOLETE
SEL. GOLD PLATED	CuSn4	<del>0-928923-2</del>	OBSOLETE
PRETINNED	CuZn30	0-928923-1	
FINISH	MATERIAL	PART NO	

**REFER TO PRODUCT GROUP DRAWING  
1670467  
FOR LATEST INFORMATION ON THE PART**

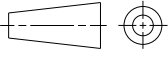
2003

RELEASED FOR PUBLICATION

THIS DRAWING IS UNPUBLISHED.

BY TYCO ELECTRONICS CORPORATION. ALL RIGHTS RESERVED.

© COPYRIGHT 2003

DIMENSIONS: mm	DWN T. Konecny	21AUG2006	MATERIAL	-	FINISH	-		
	CHK P.Hasek	60CT2006	<b>tyco</b> <i>Electronics</i>					
TOLERANCES UNLESS OTHERWISE SPECIFIED:	APVD R.Vlcek	90CT2006					tyco Electronics Czech s.r.o. CZ- K AMP 1293. 664 34 Kurim	
0 PLC ± -	PRODUCT SPEC		NAME TAB 2.8x0.8mm FASTIN-FASTON® Flachstecker 2.8x0.8mm Fastin-Faston®					
1 PLC ± -	108-18299							
2 PLC ± -	APPLICATION SPEC		SIZE CAGE CODE DRAWING NO RESTRICTED TO					
3 PLC ± -	114-18014							
4 PLC ± -	WEIGHT		A 4 00779 C-928923					
ANGLES ± -	-							
	CUSTOMER DRAWING		SCALE	-	SHEET	1 OF 1	REV	A1