

PRODUCTS IN THE RANGE

- KY/EPDX

To NFC 93521 & NFC 32070/C1 French specifications

- Operating voltage: 250 and 750 Volts
- Operating temperature: - 40°C up to + 105°C (ambient temperature + rise)

Main characteristics:

- These wires are mainly designed for internal wiring in electronic equipment.
- They are fire retardant (to NFC 32 070/C1 French specification)

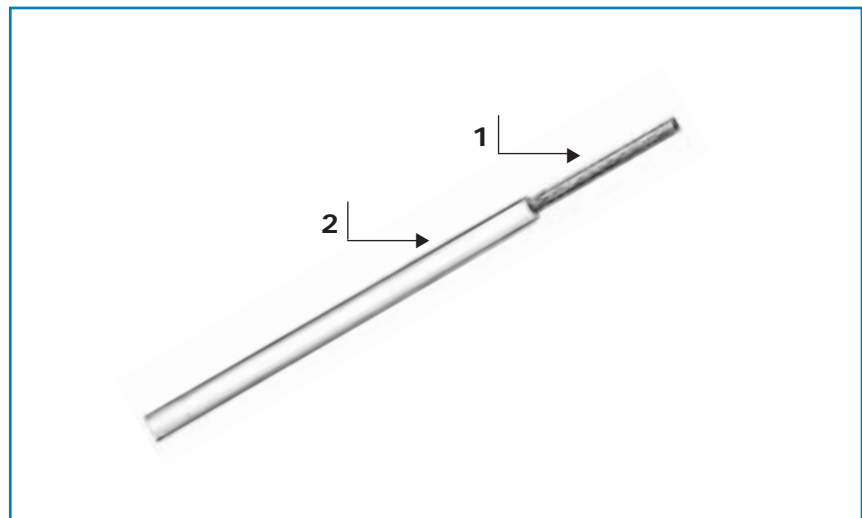
CONSTRUCTION

1- CONDUCTOR:

Solid (KY31A) or stranded (KY30 & KY33A) annealed tinned copper wires

2- INSULATION:

High temperature polyvinyl chloride (PVC)



UNSCREENED HOOK-UP WIRES

Reference NFC 93 521	Reference FILOTEX	CONDUCTOR			Overall Diameter		Average weight Kg/Km
		Gauge AWG	Cross section mm ²	Construction n x Ø mm	mini.	maxi.	
					mm		

TYPE KY - Serie 250 Volts - Stranded conductor

KY 30-01	EPDX 6x0	30	0.055	7 x 0.10	0.70	0.80	1.0
KY 30-02	EPDX 5x0	28	0.079	7 x 0.12	0.76	0.86	1.3
KY 30-03	EPDX 4x0	26	0.12	7 x 0.15	0.80	1.00	1.8
KY 30-04	EPDX 000	24	0.22	7 x 0.20	1.00	1.20	3.0
KY 30-05	EPDX 00	22	0.34	7 x 0.25	1.20	1.45	4.4
KY 30-06	EPDX 26	20	0.60	19 x 0.20	1.60	1.90	7.7
KY 30-07	EPDX 27	18	0.93	19 x 0.25	1.85	2.15	11.3
KY 30-08	EPDX 28	16	1.34	19 x 0.30	2.20	2.50	16.0
-	EPDX 29	14	1.91	27 x 0.30	2.55	2.85	22.0
-	EPDX 100	12	3.18	45 x 0.30	3.20	3.60	36.0
-	EPDX 140	10	5.16	73 x 0.30	3.90	4.30	56.6

TYPE KY - Serie 750 Volts - Solid conductor

KY 31 A-01	EPDX 1	22	0.28	1 x 0.60	1.60	1.80	5.3
KY 31 A-02	EPDX 2	20	0.50	1 x 0.80	2.00	2.30	8.6
KY 31 A-03	EPDX 3	18	1.10	1 x 1.18	2.35	2.65	14.8
KY 31 A-04	EPDX 4	14	2.00	1 x 1.60	2.80	3.10	24.3
KY 31 A-05	EPDX 5	12	3.14	1 x 2.00	3.20	3.60	35.8

TYPE KY - Serie 750 Volts - Standed conductor

KY 33 A-01	EPDX 6	24	0.22	7 x 0.20	1.60	1.80	4.7
KY 33 A-02	EPDX 7	22	0.38	12 x 0.20	2.00	2.30	7.7
KY 33 A-03	EPDX 16	20	0.60	19 x 0.20	2.20	2.50	10.3
KY 33 A-04	EPDX 17	18	1.00	32 x 0.20	2.50	2.80	14.9
KY 33 A-05	EPDX 8	16	1.34	19 x 0.30	2.70	3.00	18.7
KY 33 A-06	EPDX 9	14	1.91	27 x 0.30	3.00	3.40	25.0
KY 33 A-07	EPDX 10	12	3.18	45 x 0.30	3.80	4.20	40.6
KY 33 A-08	EPDX 14	10	5.15	73 x 0.30	4.40	4.80	60.7
—	EPDX 18	9	7.40	105 x 0.30	5.00	5.40	83.7
KY 33 A-09	EPDX 15	8	10.20	144 x 0.30	5.80	6.20	114.0
KY 33 A-10	EPDX 19	4	24.70	126 x 0.50	9.60	10.20	290.0