

multicomp PRO



Non-Contact Infrared Thermometers

MP780648

INTRODUCTION

This device is a non-contact (infrared) thermometer. Simply aim the thermometer at the target and press the measurement button to display the surface temperature.

The distance to target ratio is 1:1 therefore the thermometer should be positioned as close to the target as possible.

FEATURES

- Precise non-contact temperature measurement
- Unique flat surface, modern housing design
- Automatic data hold
- Automatic power off
- °C / °F modes
- Resolution 0.1°C (0.1°F)

WIDE RANGE APPLICATION

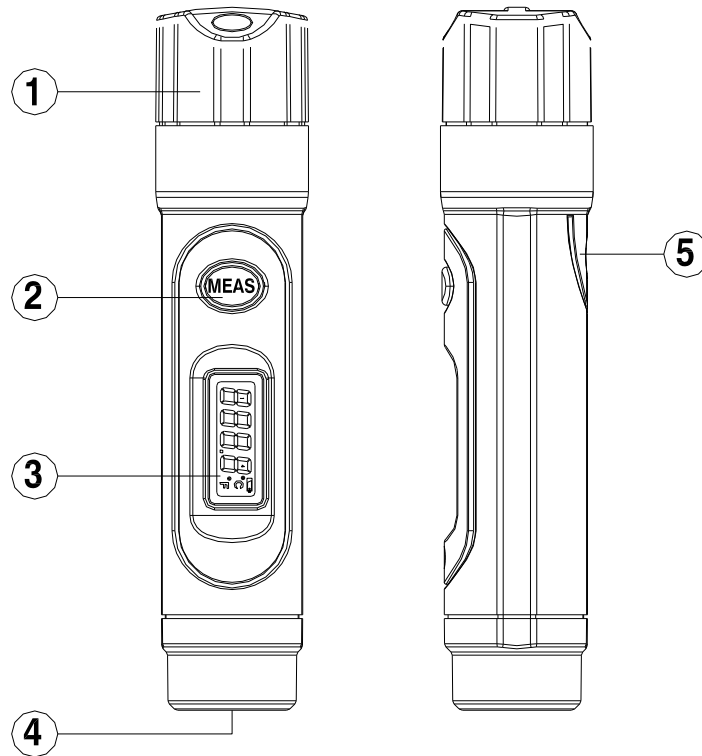
Food preparation, safety inspectors, plastic moulding, asphalt, marine and screen printing, measure ink and dryer temperature, HVAC/R, diesel and fleet maintenance.

SPECIFICATIONS

Range	-35 to +230°C
Resolution	0.1°C or °F
Response Time	less than 1 second
Infrared Accuracy	±2.0% of reading ±4°F/2°C @ (>32°F) ±8°F/4°C @ (<32°F) ±4°C @ (<32°F)
Storage temp	-10 to 60°C (14 to 140°F)
Relative humidity	10%~90%RH operating, (80%RH storage)
Field of View	1:1 optics ratio
Battery life	40 hours continuous use(power off after 15 seconds)
Battery	DC 3V (2 x "LR44" Batteries)
Display	LCD
Safety	" CE " Comply with EMC

°C / °F MEASUREMENT MODES


To change the mode from '°C' to '°F' or from '°F' to '°C', firstly turn the instrument on by pressing the measurement button, then press the C/F button to change the '°C' or '°F'.



OPERATION

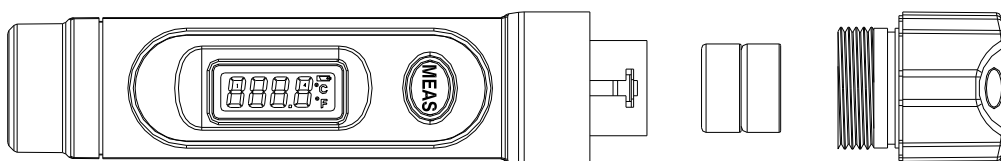
1. Battery Cover
2. Measurement button
3. LCD Display
4. IR sensor
5. C/F button

BATTERY REPLACEMENT

As battery power is not sufficient, LCD will display “” replace with 2 x LR44 coin cell batteries.

Operation: unscrew the battery cover and change the batteries, observing the correct polarity. Incorrect polarity could cause damage to the thermometer.

Please note: Never use rechargeable batteries, use only batteries for single usage.



MAINTENANCE & CLEANING

The sensor lens is the most delicate part of the thermometer and should be kept clean at all times.

Care should be taken when cleaning the lens using only a soft cloth or cotton swab with water or medical alcohol, allowing the lens to fully dry before using the thermometer.

Do not use abrasives or solvents on this thermometer.

Do not submerge any part of the thermometer in any liquid.

The thermometer should be stored at room temperature.

Note: Avoid keeping the thermometer too close to objects that continuously generate high heat (like a hot plate) for long periods which can cause overheating of the thermometer.



INFORMATION ON WASTE DISPOSAL FOR CONSUMERS OF ELECTRICAL & ELECTRONIC EQUIPMENT

These symbols indicate that separate collection of Waste Electrical and Electronic Equipment (WEEE) or waste batteries is required. Do not dispose of these items with general household waste. Separate for the treatment, recovery and recycling of the materials used. Waste batteries can be returned to any waste battery recycling point which are provided by most battery retailers. Contact your local authority for details of the battery and WEEE recycling schemes available in your area



Made in China. LS12 2QQ

Man Rev 1.0