

Type: **T3-3-8222/I2**  
 Article No.: **207185**

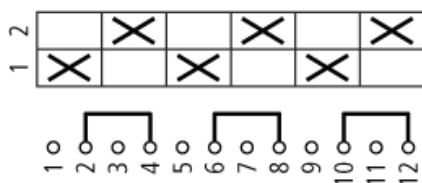


With black thumb-grip and grey front plate

### Ordering information

|  |                      |    |                          |
|--|----------------------|----|--------------------------|
| Design   |                      |    | Surface mounting         |
| Description  |                      |    | Without 0 (Off) position |
| No. of poles   |                      | M  | 3                        |
| Max. three-phase motor rating (per set of 3 contacts) 50-60 Hz AC-3 400/415 V 50-60 Hz | <i>P</i>             | kW | 22                       |
| Rated uninterrupted current  | <i>I<sub>u</sub></i> | A  | 32                       |
| Description  |                      |    | Without 0 (Off) position |

### Contact sequence



### Front plate no.



### General

|  |              |               |  |
|--|--------------|---------------|--|
| Standards  |              |               | IEC/EN 60947, VDE 0660, IEC/EN 60204, CSA, UL<br>Switch-disconnectors to IEC/EN 60947-3<br>Load-break switches to IEC/EN 60947-3 |
| Lifespan, mechanical                                       | Operations   | $\times 10^6$ | 0,5  |
| Maximum operating frequency                                | Operations/h |               | 3000   |
| Climatic proofing  |              |               | Damp heat, constant, to IEC 60068-2-78; Damp heat, cyclical, to IEC 60068-2-30   |
| Ambient temperature  |              |               |  |
| Open   |              | ° C           | -25/50   |
| Enclosed   |              | ° C           | -25/40   |
| Mounting position  |              |               | As required  |
| Documentation  |              |               | Main catalogue HPL   |
| Mechanical shock resistance (shock duration 20 ms)         |              | g             | > 15   |
| <b>Contacts</b>  |              |               |  |
| Rated operational voltage                                  | $U_e$        | V AC          | 690  |
| Rated impulse withstand voltage                            | $U_{imp}$    | V AC          | 6000   |
| Overvoltage category/pollution degree                      |              |               | III/3  |
| Rated uninterrupted current                                |              |               |  |
| open   | $I_u$        | A             | 32   |
| Enclosed   | $I_u$        | A             | 32   |
| Load-carrying capacity in intermittent operation, Class 12 |              |               |  |
| AB 25 % DF   |              | $\times I_e$  | 2  |
| AB 40 % DF   |              | $\times I_e$  | 1,6  |
| AB 60 % DF   |              | $\times I_e$  | 1,3  |
| Short-circuit rating                                       |              |               |  |
| Fuse   |              | A gG/gL       | 35   |
| Rated short-time withstand current (1 s current)           | $I_{cw}$     | $A_{rms}$     | 650  |
| Safe isolation to VDE 0106 Part 101 and Part 101/A1        |              |               |  |
| between the contacts                                       |              | V AC          | 440  |
| Switching angles   |              | °             | 90<br>60<br>45<br>30   |

|   |       |                 |                                  |
|---|-------|-----------------|----------------------------------|
| Contact units   |       |                 | 11                               |
| Double-break contacts   |       |                 | max. 22                          |
| Current heat loss per contact at $I_e$                          |       | W               | 1,1                              |
| <b>Terminal capacities</b>                                      |       |                 |                                  |
| Solid or stranded   |       | mm <sup>2</sup> | 1 × (1 – 6)<br>2 × (1 – 6)       |
| Flexible with ferrule to DIN 46228                              |       | mm <sup>2</sup> | 1 × (0.75 – 4)<br>2 × (0.75 – 4) |
| Terminal screw  |       |                 | M4                               |
| Tightening torque   |       | Nm              | 1.6                              |
| <b>Switching capacity</b>                                       |       |                 |                                  |
| AC  |       |                 |                                  |
| Rated making capacity $\cos \phi = 0.35$                        |       | A               | 320                              |
| Rated breaking capacity, motor load switch $\cos \phi = 0.35$   |       |                 |                                  |
| 230 V   |       | A               | 260                              |
| 400 V   |       | A               | 260                              |
| 500 V   |       | A               | 240                              |
| 690 V   |       | A               | 170                              |
| Rated operational current 440 V load-break switch AC-21A        | $I_e$ | A               | 32                               |
| AC-3 motor load switch motor rating                             |       |                 |                                  |
| 230 V   | $P$   | kW              | 6,5                              |
| 230 V Star-delta  | $P$   | kW              | 11                               |
| 400 V   | $P$   | kW              | 12                               |
| 400 V Star-delta  | $P$   | kW              | 18,5                             |
| 500 V   | $P$   | kW              | 15                               |
| 500 V Star-delta  | $P$   | kW              | 22                               |
| 690 V   | $P$   | kW              | 15                               |
| 690 V Star-delta  | $P$   | kW              | 22                               |
| AC-23A Motor load switches (main switches maintenance switches) |       |                 |                                  |
| 230 V   | $P$   | kW              | 7,5                              |
| 400 V   | $P$   | kW              | 22                               |
| 500 V   | $P$   | kW              | 15                               |
| Rated operational current control switch AC-15                  |       |                 |                                  |
| 230 V   | $I_e$ | A               | 10                               |

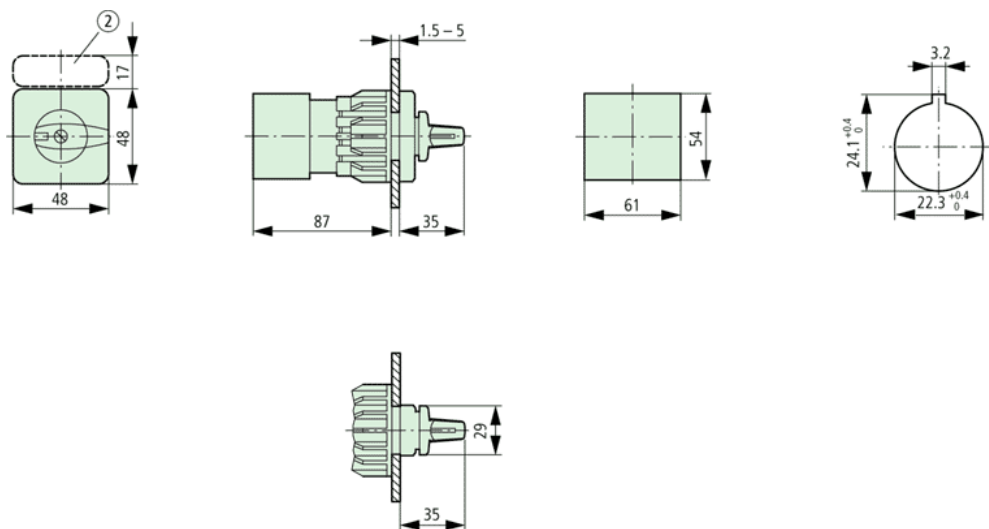
|   |                   |          |  |
|---|-------------------|----------|--|
| 400 V   | $I_e$             | A        | 6  |
| 500 V   | $I_e$             | A        | 4  |
| DC  |                   |          |  |
| DC-1, Load-break switches L/R = 1 ms          |                   |          |  |
| Rated operational current                     | $I_e$             | A        | 25   |
| Voltage per contact pair in series            |                   | V        | 60   |
| DC-21A  |                   |          |  |
| Rated operational current 240 V               | $I_e$             | A        | 1  |
| 240 V Contacts                                |                   | Quantity | 1  |
| DC-23A, Motor load switches L/R = 15 ms       |                   |          |  |
| 24 V  |                   |          |  |
| Rated operational current                     | $I_e$             | A        | 25   |
| Contacts                                      |                   | Quantity | 1  |
| 48 V  |                   |          |  |
| Rated operational current                     | $I_e$             | A        | 25   |
| Contacts                                      |                   | Quantity | 2  |
| 60 V  |                   |          |  |
| Rated operational current                     | $I_e$             | A        | 25   |
| Contacts                                      |                   | Quantity | 3  |
| 120 V   |                   |          |  |
| Rated operational current                     | $I_e$             | A        | 12   |
| Contacts                                      |                   | Quantity | 3  |
| 240 V   |                   |          |  |
| Rated operational current                     | $I_e$             | A        | 5  |
| Contacts                                      |                   | Quantity | 5  |
| DC-13, Control switches L/R = 50 ms           |                   |          |  |
| Rated operational current                     | $I_e$             | A        | 20   |
| Voltage per contact pair in series            |                   | V        | 32   |
| Control circuit reliability at 24 V DC, 10 mA | Fault probability | $H_F$    | $< 10^{-5}$ , < 1 fault in 100000 operations   |
| <b>Notes</b>                                  |                   |          |  |
|   |                   |          | For mechanical shock resistance: T3.../I... >12g<br>Applies to T0(3).../SVB: isolating characteristics to IEC/EN 60947 Ufor rated operational voltage up to 500 V AC |

|  |  |  |  |
|--|--|--|--|
|  |  |  | <p>Applies to rated uninterrupted current <math>I_u</math> of the contact: with T5-4-8344/I5 max. 95 A</p> <p>For terminal capacity solid, stranded and flexible:<br/> T0(3), (6), (8)...: Maximum of 2 cross-section sizes difference admissible between 2 conductors<br/> T5(B)-...: Maximum of 1 cross-section size difference admissible between 2 conductors</p> <p>For type T8-3-8342/... the following applies: switching angle = 90° and flat connection = 1 busbar 25 x 5 or 2 busbars 20 x 3</p> |
|--|--|--|--|

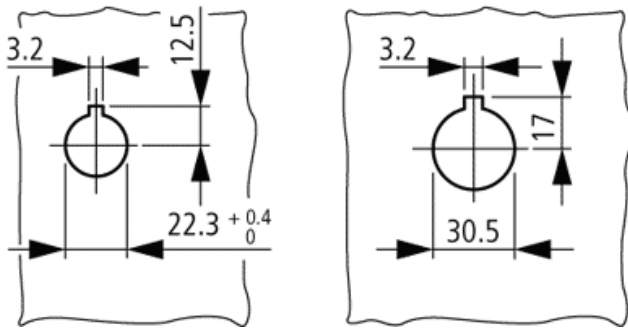
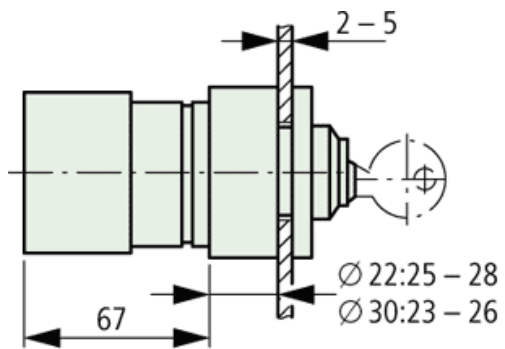
**Dimensions**

|             |  |  |  |
|-------------|--|--|--|
|             |  |  | not included   |
|             |  |  | T3-3-.../EZ "Y T3-3-.../E + EZ-T0 + S-(SOND-)T0  |
| Explanation |  |  | <p>For utilisation category AC-4 (extreme load: 100 % inching, reversing or plugging)</p> <p>The blocked rotor current of the motor should not exceed the rated current of the switch for AC-21A to ensure a reasonable device lifespan.</p> |

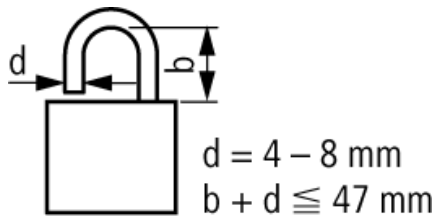
**Dimensions**



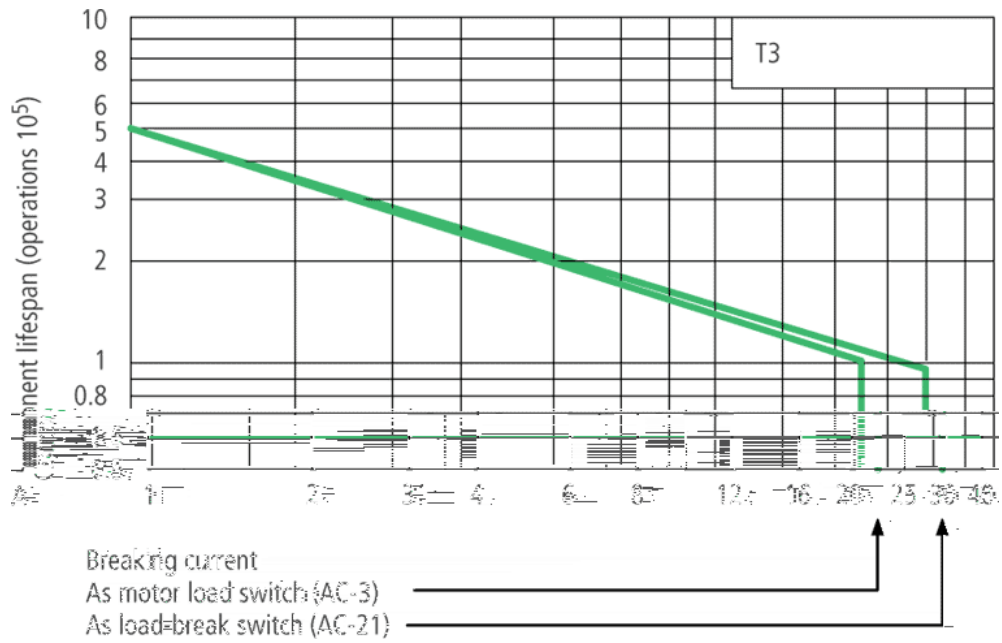
## Dimensions



## Dimensions



## Characteristic curve



Moeller GmbH, Hein-Moeller-Str. 7-11, D-53115 Bonn  
 E-Mail: [catalog@moeller.net](mailto:catalog@moeller.net), Internet: [www.moeller.net](http://www.moeller.net), <http://catalog.moeller.net>  
 Copyright 2006 by Moeller GmbH. Subject to modifications. HPL-C2006GB-INT V2.3