

TFI-SERIES
TFIS 12-240VUC 2NO SD

Weidmüller Interface GmbH & Co. KG
 Klingenbergstraße 26
 D-32758 Detmold
 Germany
 Fon: +49 5231 14-0
 Fax: +49 5231 14-292083
 www.weidmueller.com

Product image


Timing relays are used in automation engineering in order to compensate for malfunctions caused by high clock rates.

Short pulses are extended and hence are reliably identified by downstream control components.

Various timing functions such as make and break delays, clock generator and star/delta switchover are available to users.

General ordering data

Type	TFIS 12-240VUC 2NO SD
Order No.	2697270000
Version	TFI-SERIES, Star-Delta Timer, Number of contacts: 2, NO contact, AgNi, Rated control voltage: 12...240 V UC -10 % / +10 %, Continuous current: 3 A, Screw connection
GTIN (EAN)	4050118705270
Qty.	1 pc(s).

Creation date September 24, 2020 12:17:33 PM CEST

Catalogue status 11.09.2020 / We reserve the right to make technical changes.

TFI-SERIES
TFIS 12-240VUC 2NO SD

Weidmüller Interface GmbH & Co. KG
 Klingenbergstraße 26
 D-32758 Detmold
 Germany
 Fon: +49 5231 14-0
 Fax: +49 5231 14-292083
 www.weidmueller.com

Technical data
Dimensions and weights

Width	225 mm	Width (inches)	8.858 inch
Height	67 mm	Height (inches)	2.638 inch
Depth	75 mm	Depth (inches)	2.953 inch
Net weight	83 g		

Temperatures

Humidity	5...95 % rel. humidity, no condensation	Operating temperature, max.	60 °C
Operating temperature, min.	-25 °C	Storage temperature, max.	70 °C
Storage temperature, min.	-40 °C	Operating temperature	-25 °C...60 °C
Storage temperature	-40 °C...70 °C		

Input

Rated control voltage	12...240 V UC - 10 % / + 10 %	Power rating	500 mVA, 180 mW
Status indicator	LED green (U/t) flashes: star-relay closed, time runs, LED green (U/t) lights permanently: delta-relay closed, time runs, LED yellow (R): star-relay closed	Repeat accuracy	< 0.5 % or ±5 ms
Setting tolerance	5 %	Basic accuracy	< 1 % (of scale-end value)
Min. pulse duration	100 ms	Time ranges	0.5 s - 10 s, 1.5 s - 30 s, 3 s - 60 s, 9 s - 180 s
Timing function	Star-delta start-up	Max. reset time after voltage interruption	200 ms

Output

Rated switching voltage	250 V AC	Max. switching voltage, AC	250 V
Max. switching voltage, DC	30 V	Continuous current	3 A
AC switching capacity (resistive), max.	750 VA	DC switching capacity (resistive), max.	90 W
Min. switching power	10 mA @ 12 V, 100 mA @ 5 V		

Contact data

Contact type	2 NO contact (AgNi)	Electrical service life, DC coil	100x10 ³ switching cycles (3 A at 250 VAC)
Mechanical service life	20 x 10 ⁶ switching cycles		

General data

Rail	TS 35	Test button	No
Mechanical switch position indicator	No	Colour	black
UL 94 flammability rating	V-0	Resistance to vibration EN 61812-1	10 Hz...60 Hz: 0.15 mm, 60 Hz... 150 Hz: 2 g

Insulation coordination

Rated voltage	300 V	Surge voltage category	III
Pollution severity	2	Protection degree	IP20
Dielectric strength, Input/Output	1.6 kV	Creepage and clearance distance input - output	≥ 3 mm
Impulse withstand voltage	4 kV		

Creation date September 24, 2020 12:17:33 PM CEST

TFI-SERIES
TFIS 12-240VUC 2NO SD

Weidmüller Interface GmbH & Co. KG
 Klingenbergstraße 26
 D-32758 Detmold
 Germany
 Fon: +49 5231 14-0
 Fax: +49 5231 14-292083
 www.weidmueller.com

Technical data**Further details of approvals / standards**

Certificate no. (cULus)	E360862
-------------------------	---------

Connection data

Wire connection method	Screw connection	Stripping length, rated connection	8 mm
Tightening torque, max.	1 Nm	Clamping range, rated connection	2.5 mm ²
Clamping range, min.	0.5 mm ²	Clamping range, max.	4 mm ²
Wire connection cross section AWG, min.	AWG 20	Wire connection cross section AWG, max.	AWG 12
Wire cross-section, solid, min.	0.5 mm ²	Wire cross-section, solid, max.	4 mm ²
Wire connection cross-section, finely stranded, min.	0.5 mm ²	Wire connection cross section, finely stranded, max.	4 mm ²
Wire connection cross-section, finely stranded with wire-end ferrules DIN 46228/4, min.	0.5 mm ²	Wire connection cross-section, finely stranded with wire-end ferrules DIN 46228/4, max.	2.5 mm ²
Conductor cross-section, flexible, AEH (DIN 46228-1), min.	0.5 mm ²	Conductor cross-section, flexible, AEH (DIN 46228-1), max.	2.5 mm ²
Wire connection cross section, finely stranded, two clampable wires, min.	0.5 mm ²	Wire cross-section, finely stranded, two clampable wires, max.	2.5 mm ²
Blade size	size PH1		

Classifications

ETIM 6.0	EC001439	ETIM 7.0	EC001439
eClass 9.0	27-37-16-05	eClass 9.1	27-37-16-05
eClass 10.0	27-37-16-05		

Approvals

Approvals



ROHS	Conform
------	---------

Downloads

Approval/Certificate/Document of Conformity	EU Konformitätserklärung / EU Declaration of Conformity
Engineering Data	STEP
User Documentation	Beschreibung der Zeitfunktionen - Deutsch Declaration of time functions - English Beipackzettel / Package Insert - multilingual

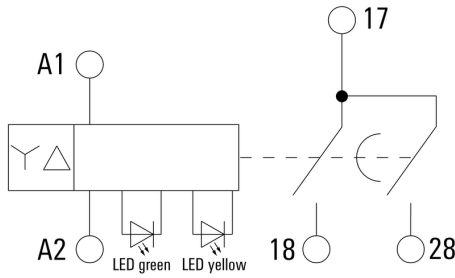
Data sheet

**TFI-SERIES
TFIS 12-240VUC 2NO SD**

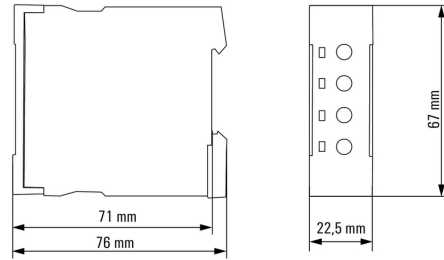
Weidmüller Interface GmbH & Co. KG
 Klingenbergstraße 26
 D-32758 Detmold
 Germany
 Fon: +49 5231 14-0
 Fax: +49 5231 14-292083
 www.weidmueller.com

Drawings

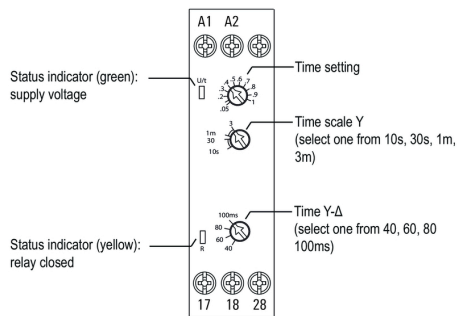
Wiring diagram



Dimensional drawing



Miscellaneous



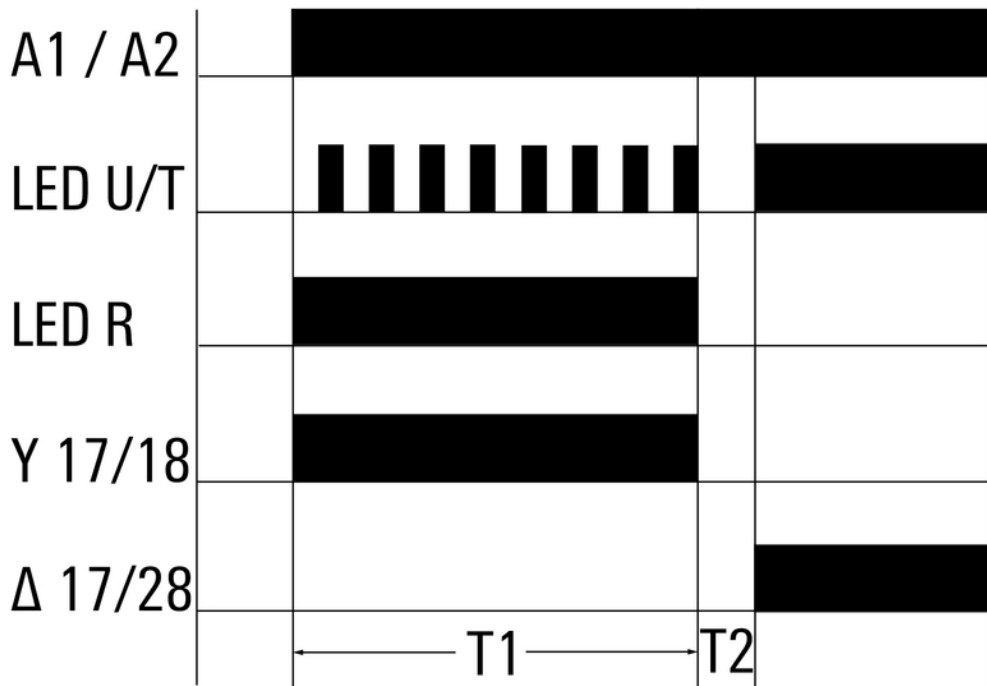
Detailed drawing

TFI-SERIES
TFIS 12-240VUC 2NO SD

Weidmüller Interface GmbH & Co. KG
 Klingenbergstraße 26
 D-32758 Detmold
 Germany
 Fon: +49 5231 14-0
 Fax: +49 5231 14-292083
 www.weidmueller.com

Graph

S star-delta



Time functions

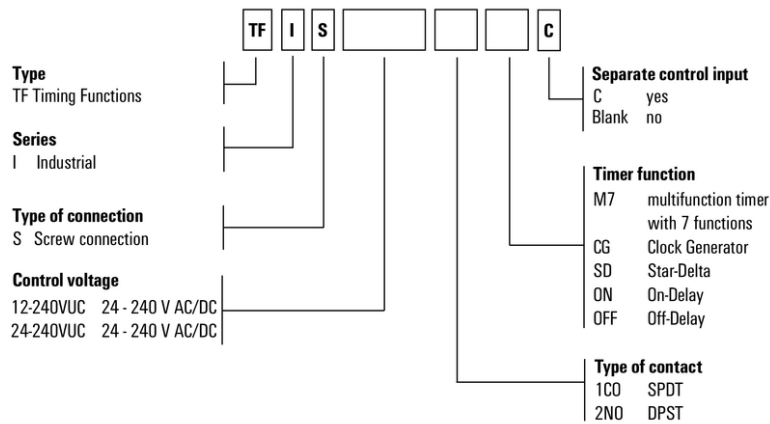
Data sheet

**TFI-SERIES
TFIS 12-240VUC 2NO SD**

Weidmüller Interface GmbH & Co. KG
 Klingenbergstraße 26
 D-32758 Detmold
 Germany
 Fon: +49 5231 14-0
 Fax: +49 5231 14-292083
 www.weidmueller.com

Drawings

Miscellaneous



Type codes

Creation date September 24, 2020 12:17:33 PM CEST