

BTS7006-1EPZ

PROFET™+2 12V

1x 6.6 mΩ

Smart High-Side Power Switch



Package	PG-TSDSO-14
Marking	7006-1Z

1 Overview

Potential Applications

- Suitable for driving 12.5 A resistive, inductive and capacitive loads
- Replaces electromechanical relays, fuses and discrete circuits
- Suitable for driving glow plug, heating loads, DC motor and for power distribution
- Applications with extended or/and high temperature mission profiles
- Under the hood applications requiring an extended junction temperature range, up to 175 °C
- Suitable for powertrain systems such as transmission applications

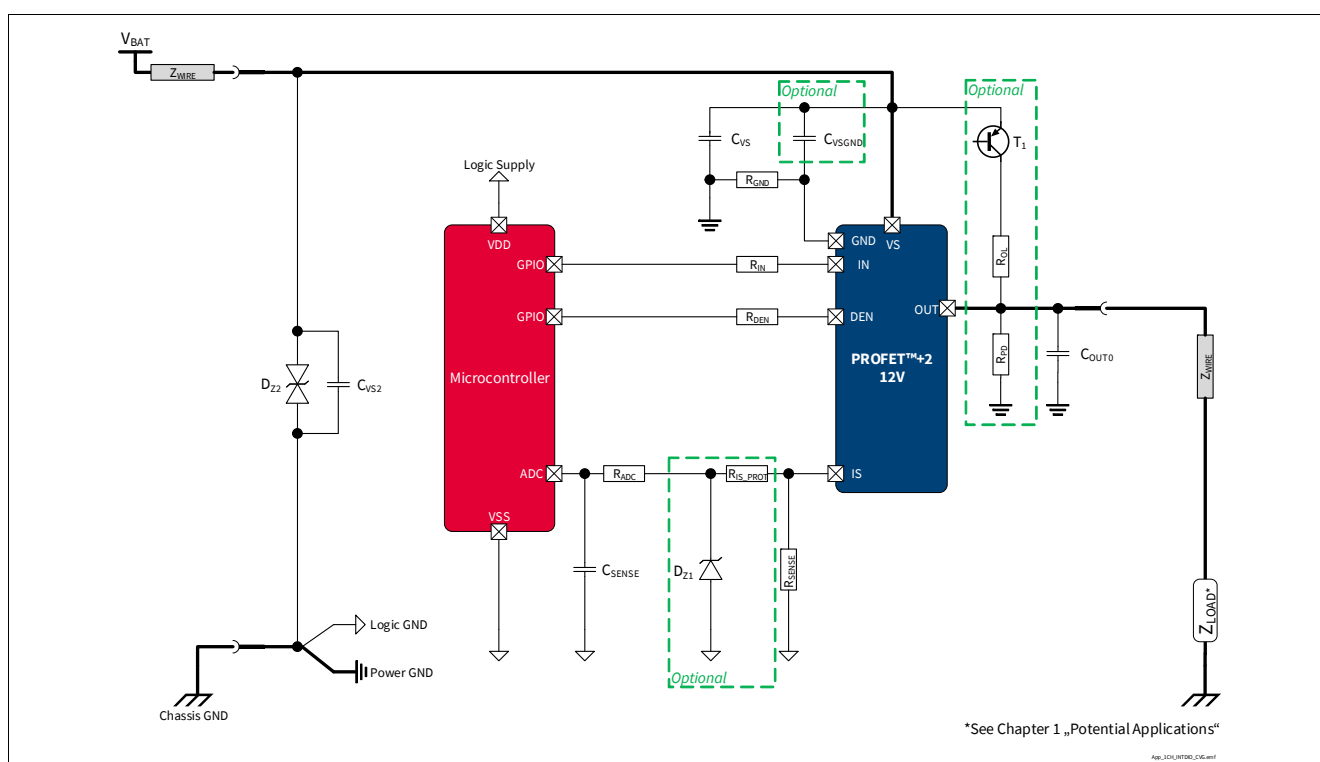
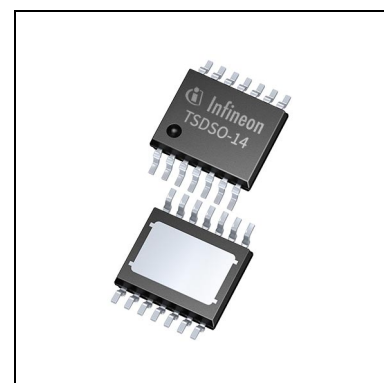


Figure 1 BTS7006-1EPZ Application Diagram. Further information in [Chapter 10](#)

Overview

Basic Features

- High-Side Switch with Diagnosis and Embedded Protection
- Part of PROFET™+2 12V Family
- ReverseON for low power dissipation in Reverse Polarity
- Green Product (RoHS compliant)

Protection Features

- Absolute and dynamic temperature limitation with controlled reactivation
- Overcurrent protection (tripping) with Intelligent Latch
- Undervoltage shutdown
- Overvoltage protection with external components (as shown in [Figure 37](#))

Diagnostic Features

- Proportional load current sense
- Open Load in ON and OFF state
- Short circuit to ground and battery

Product Validation

Qualified for automotive applications. Product validation according to AEC-Q100 Grade 0.

Description

The BTS7006-1EPZ is a Smart High-Side Power Switch, providing protection functions and diagnosis.

Table 1 Product Summary

Parameter	Symbol	Values
Minimum Operating voltage	$V_{S(OP)}$	4.1 V
Minimum Operating voltage (cranking)	$V_{S(UV)}$	3.1 V
Maximum Operating voltage	V_S	28 V
Minimum Overvoltage protection ($T_J \geq 25\text{ °C}$)	$V_{DS(CLAMP)_25}$	35 V
Maximum current in OFF mode ($T_J \leq 85\text{ °C}$)	$I_{VS(OFF)_85}$	0.4 μ A
Maximum operative current	$I_{GND(ON_D)}$	3 mA
Typical ON-state resistance ($T_J = 25\text{ °C}$)	$R_{DS(ON)_25}$	6.6 m Ω
Maximum ON-state resistance ($T_J = 150\text{ °C}$)	$R_{DS(ON)_150}$	12 m Ω
Maximum ON-state resistance ($T_J = 175\text{ °C}$)	$R_{DS(ON)_175}$	13.5 m Ω
Nominal load current ($T_A = 85\text{ °C}$)	$I_{L(NOM)}$	12.5 A
Nominal load current ($T_A = 125\text{ °C}$)	$I_{L(NOM)_125}$	8 A
Minimum overload detection current	$I_{L(OVL0)_40}$	81 A
Typical current sense ratio at $I_L = I_{L(NOM)}$	k_{ILIS}	17700

Block Diagram and Terms

2 Block Diagram and Terms

2.1 Block Diagram

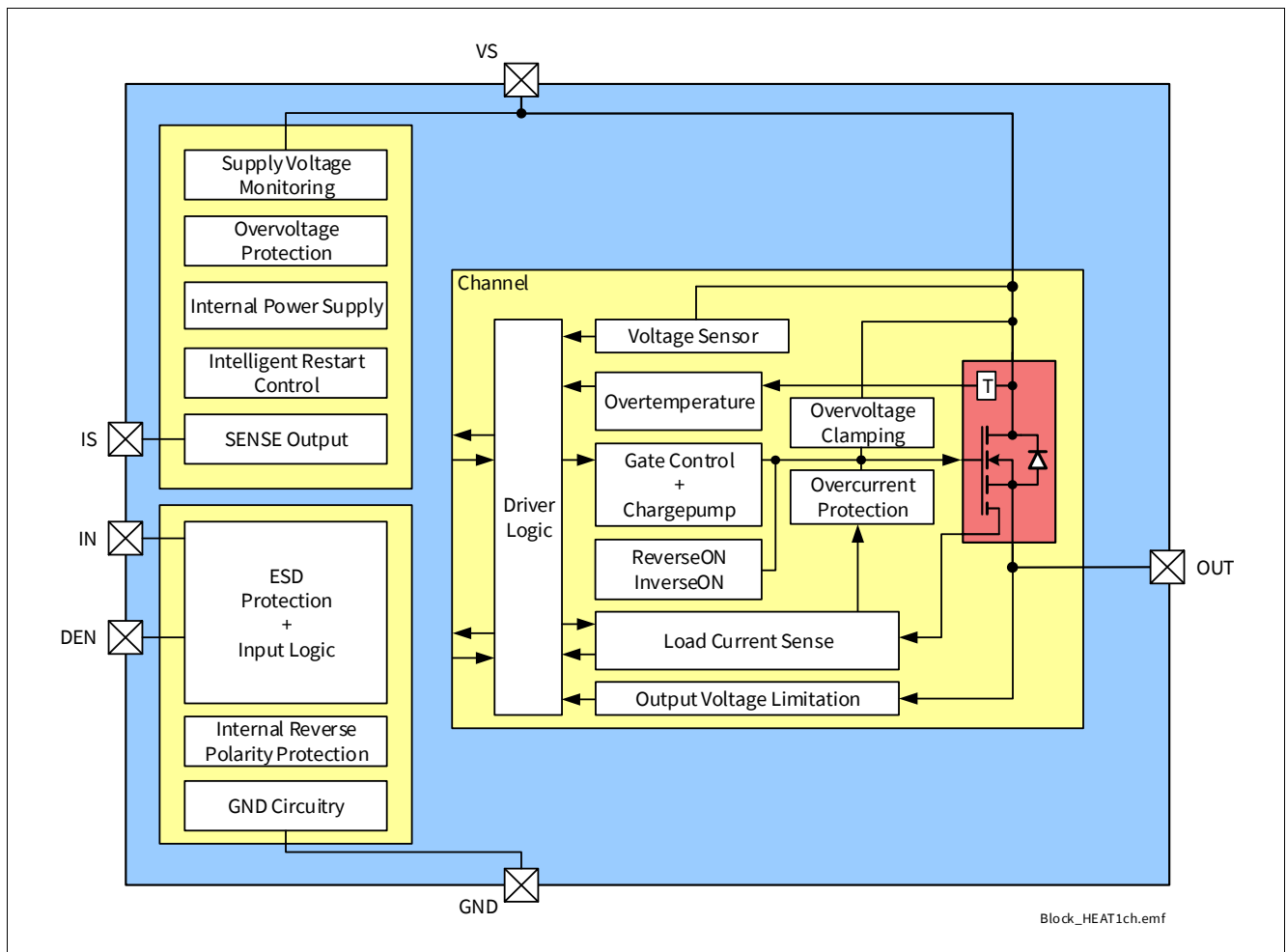


Figure 2 Block Diagram of BTS7006-1EPZ

Block Diagram and Terms

2.2 Terms

Figure 3 shows all terms used in this data sheet, with associated convention for positive values.

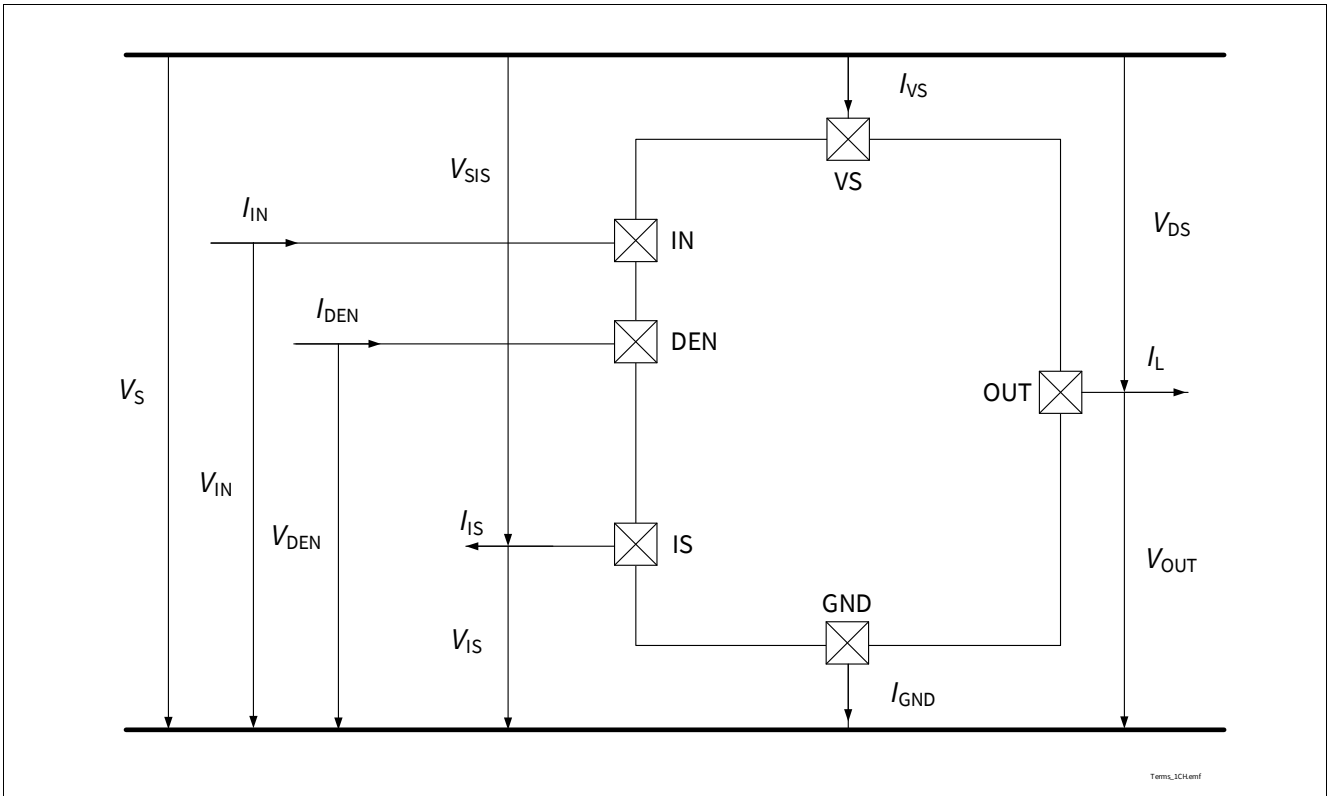


Figure 3 Voltage and Current Convention

Pin Configuration

3 Pin Configuration

3.1 Pin Assignment

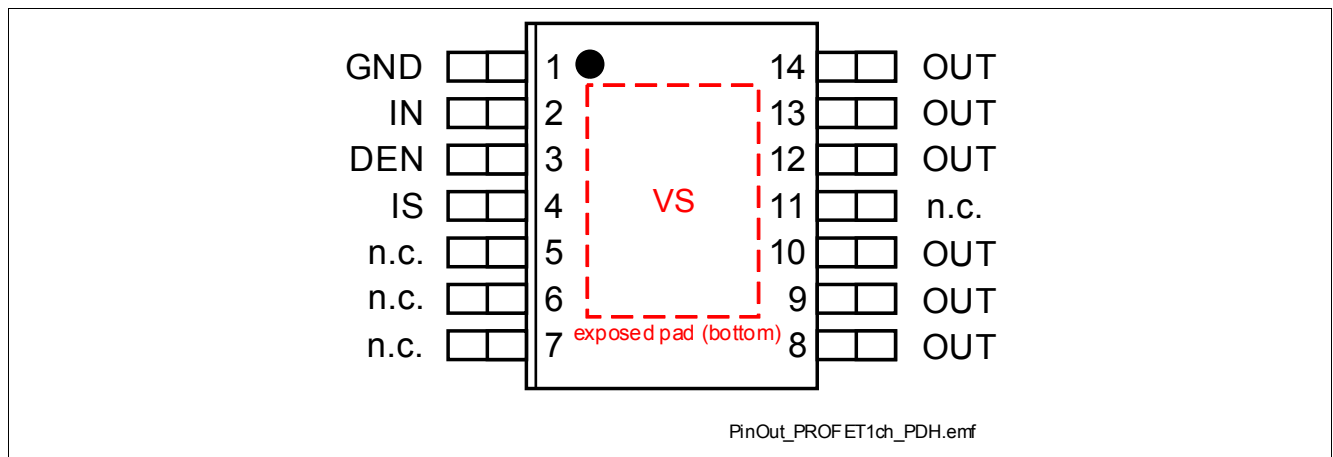


Figure 4 Pin Configuration

Pin Configuration

3.2 Pin Definitions and Functions

Table 2 Pin Definition

Pin	Symbol	Function
EP	VS (exposed pad)	Supply Voltage Battery voltage
1	GND	Ground Signal ground
2	IN	Input Channel Digital signal to switch ON the channel (“high” active) If not used: connect to GND pin or to module ground with resistor $R_{IN} = 4.7 \text{ k}\Omega$
3	DEN	Diagnostic Enable Digital signal to enable device diagnosis (“high” active) and to clear the protection latch of channel If not used: connect to GND pin or to module ground with resistor $R_{DEN} = 4.7 \text{ k}\Omega$
4	IS	SENSE current output Analog/digital signal for diagnosis If not used: left open
5-7, 11	n.c.	Not connected, internally not bonded
8-10, 12-14	OUT	Output Protected high-side power output channel ¹⁾

1) All output pins of the channel must be connected together on the PCB. All pins of the output are internally connected together. PCB traces have to be designed to withstand the maximum current which can flow.

General Product Characteristics

4 General Product Characteristics

4.1 Absolute Maximum Ratings - General

Table 3 Absolute Maximum Ratings¹⁾

$T_J = -40\text{ °C}$ to $+150\text{ °C}$; $T_J = +150\text{ °C}$ to $+175\text{ °C}$ not subject to production test - specified by design; all voltages with respect to ground, positive current flowing into pin (unless otherwise specified)

Parameter	Symbol	Values			Unit	Note or Test Condition	Number
		Min.	Typ.	Max.			
Supply pins							
Power Supply Voltage	V_S	-0.3	–	28	V	–	P_4.1.0.1
Load Dump Voltage	$V_{BAT(LD)}$	–	–	35	V	suppressed Load Dump acc. to ISO16750-2 (2010). $R_f = 2\ \Omega$	P_4.1.0.3
Supply Voltage for Short Circuit Protection	$V_{BAT(SC)}$	0	–	24	V	Setup acc. to AEC-Q100-012	P_4.1.0.25
Reverse Polarity Voltage	$-V_{BAT(REV)}$	–	–	16	V	$t \leq 2\text{ min}$ $T_A = +25\text{ °C}$ Setup as described in Chapter 10	P_4.1.0.5
Current through GND Pin	I_{GND}	-50	–	50	mA	R_{GND} according to Chapter 10	P_4.1.0.9

Logic & control pins (Digital Input = DI)

DI = IN, DEN

Current through DI Pin	I_{DI}	-1	–	2	mA	²⁾	P_4.1.0.14
Current through DI Pin Reverse Battery Condition	$I_{DI(REV)}$	-1	–	10	mA	²⁾ $t \leq 2\text{ min}$	P_4.1.0.36

IS pin

Voltage at IS Pin	V_{IS}	-1.5	–	V_S	V	$I_{IS} = 10\ \mu\text{A}$	P_4.1.0.16
Current through IS Pin	I_{IS}	-25	–	$I_{IS(SAT),M}$ AX	mA	–	P_4.1.0.18

Temperatures

Junction Temperature	T_J	-40	–	175	°C	–	P_4.1.0.19
Storage Temperature	T_{STG}	-55	–	175	°C	–	P_4.1.0.20

General Product Characteristics

Table 3 Absolute Maximum Ratings¹⁾ (continued)

$T_J = -40\text{ °C}$ to $+150\text{ °C}$; $T_J = +150\text{ °C}$ to $+175\text{ °C}$ not subject to production test - specified by design; all voltages with respect to ground, positive current flowing into pin (unless otherwise specified)

Parameter	Symbol	Values			Unit	Note or Test Condition	Number
		Min.	Typ.	Max.			
ESD Susceptibility							
ESD Susceptibility all Pins (HBM)	$V_{ESD(HBM)}$	-2	-	2	kV	HBM ³⁾	P_4.1.0.21
ESD Susceptibility OUT vs GND and VS connected (HBM)	$V_{ESD(HBM)_{OU}}_T$	-4	-	4	kV	HBM ³⁾	P_4.1.0.22
ESD Susceptibility all Pins (CDM)	$V_{ESD(CDM)}$	-500	-	500	V	CDM ⁴⁾	P_4.1.0.23
ESD Susceptibility Corner Pins (CDM) (pins 1, 7, 8, 14)	$V_{ESD(CDM)_{CR}}_N$	-750	-	750	V	CDM ⁴⁾	P_4.1.0.24

- 1) Not subject to production test - specified by design.
- 2) Maximum V_{DI} to be considered for Latch-Up tests: 5.5 V.
- 3) ESD susceptibility, Human Body Model “HBM”, according to AEC Q100-002.
- 4) ESD susceptibility, Charged Device Model “CDM”, according to AEC Q100-011.

Notes

1. Stresses above the ones listed here may cause permanent damage to the device. Exposure to absolute maximum rating conditions for extended periods may affect device reliability.
2. Integrated protection functions are designed to prevent IC destruction under fault conditions described in the data sheet. Fault conditions are considered as “outside” normal operating range. Protection functions are not designed for continuous repetitive operation.

4.2 Absolute Maximum Ratings - Power Stages

4.2.1 Power Stage - 6 mΩ

Table 4 Absolute Maximum Ratings¹⁾

$T_J = -40\text{ °C}$ to $+150\text{ °C}$; $T_J = +150\text{ °C}$ to $+175\text{ °C}$ not subject to production test - specified by design; all voltages with respect to ground, positive current flowing into pin (unless otherwise specified)

Parameter	Symbol	Values			Unit	Note or Test Condition	Number
		Min.	Typ.	Max.			
Maximum Energy Dissipation Single Pulse	E_{AS}	-	-	95	mJ	$I_L = 2 \cdot I_{L(NOM)}$ $T_{J(0)} = 150\text{ °C}$ $V_S = 28\text{ V}$	P_4.2.12.1
Maximum Energy Dissipation Repetitive Pulse	E_{AR}	-	-	24	mJ	$I_L = I_{L(NOM)}$ $T_{J(0)} = 85\text{ °C}$ $V_S = 13.5\text{ V}$ 1M cycles	P_4.2.12.2

General Product Characteristics

Table 4 Absolute Maximum Ratings¹⁾ (continued)

$T_J = -40\text{ °C}$ to $+150\text{ °C}$; $T_J = +150\text{ °C}$ to $+175\text{ °C}$ not subject to production test - specified by design; all voltages with respect to ground, positive current flowing into pin (unless otherwise specified)

Parameter	Symbol	Values			Unit	Note or Test Condition	Number
		Min.	Typ.	Max.			
Maximum Energy Dissipation Repetitive Pulse	E_{AR_125}	–	–	24	mJ	$I_L = I_{L(NOM)_125}$ $T_{J(0)} = 125\text{ °C}$ $V_S = 13.5\text{ V}$ 1M cycles	P_4.2.12.4
Load Current	$ I_L $	–	–	$I_{L(OVL0), MAX}$	A	–	P_4.2.12.3

1) Not subject to production test - specified by design.

4.3 Functional Range

Table 5 Functional Range - Supply Voltage and Temperature¹⁾

Parameter	Symbol	Values			Unit	Note or Test Condition	Number
		Min.	Typ.	Max.			
Supply Voltage Range for Normal Operation	$V_{S(NOR)}$	6	13.5	18	V	–	P_4.3.0.1
Lower Extended Supply Voltage Range for Operation	$V_{S(EXT,LOW)}$	3.1	–	6	V	²⁾³⁾ (parameter deviations possible)	P_4.3.0.2
Supply Voltage Range reached after Overload Protection activation leading to “Undervoltage on V_S ” condition	$V_{S(EXT,CVG)}$	–	–	3.1	V	C_{VSGND} is required when the Overload Protection is triggered (see Chapter 8.2) and the observed number of retries is different from what specified in Chapter 8.3.1	P_4.3.0.7
Upper Extended Supply Voltage Range for Operation	$V_{S(EXT,UP)}$	18	–	28	V	³⁾ (parameter deviations possible)	P_4.3.0.3
Junction Temperature	T_J	-40	–	175	°C	–	P_4.3.0.5

1) Not subject to production test - specified by design.

2) In case of V_S voltage decreasing: $V_{S(EXT,LOW),MIN} = 3.1\text{ V}$. In case of V_S voltage increasing: $V_{S(EXT,LOW),MIN} = 4.1\text{ V}$.

3) Protection functions still operative.

Note: Within the functional or operating range, the IC operates as described in the circuit description. The electrical characteristics are specified within the conditions given in the Electrical Characteristics tables.

General Product Characteristics

4.4 Thermal Resistance

Note: This thermal data was generated in accordance with JEDEC JESD51 standards. For more information, go to www.jedec.org.

Table 6 Thermal Resistance¹⁾

Parameter	Symbol	Values			Unit	Note or Test Condition	Number
		Min.	Typ.	Max.			
Thermal Characterization Parameter Junction-Top	Ψ_{JTOP}	–	3	5	K/W	²⁾	P_4.4.0.1
Thermal Resistance Junction-to-Case	R_{thJC}	–	2.1	3.5	K/W	²⁾ simulated at exposed pad	P_4.4.0.2
Thermal Resistance Junction-to-Ambient	R_{thJA}	–	32.9	–	K/W	²⁾	P_4.4.0.3

1) Not subject to production test - specified by design.

2) According to Jedec JESD51-2,-5,-7 at natural convection on FR4 2s2p board; the Product (Chip + Package) was simulated on a 76.2 × 114.3 × 1.5 mm board with 2 inner copper layers (2 × 70 μm Cu, 2 × 35 μm Cu). Where applicable a thermal via array under the exposed pad contacted the first inner copper layer. Simulation done at $T_A = 105^\circ\text{C}$, $P_{DISSIPATION} = 1 \text{ W}$.

General Product Characteristics

4.4.1 PCB Setup

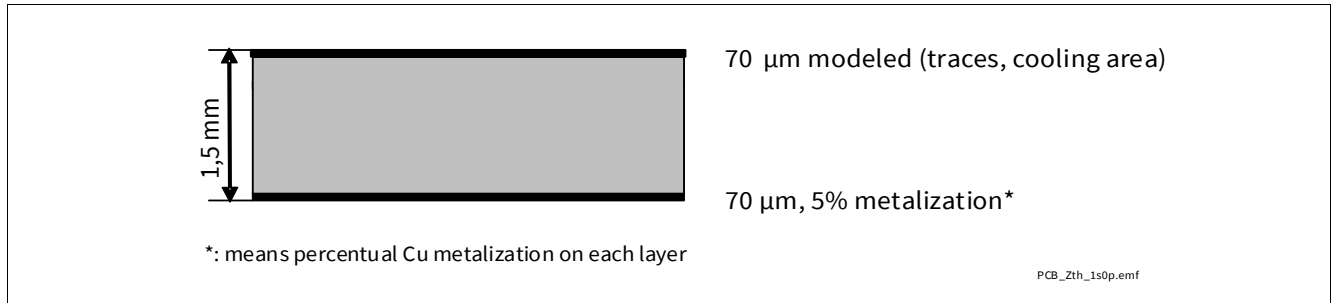


Figure 5 1s0p PCB Cross Section

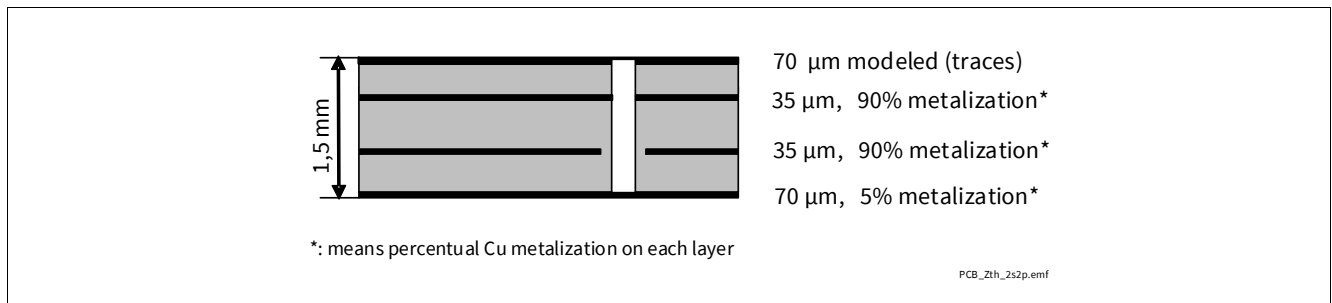


Figure 6 2s2p PCB Cross Section

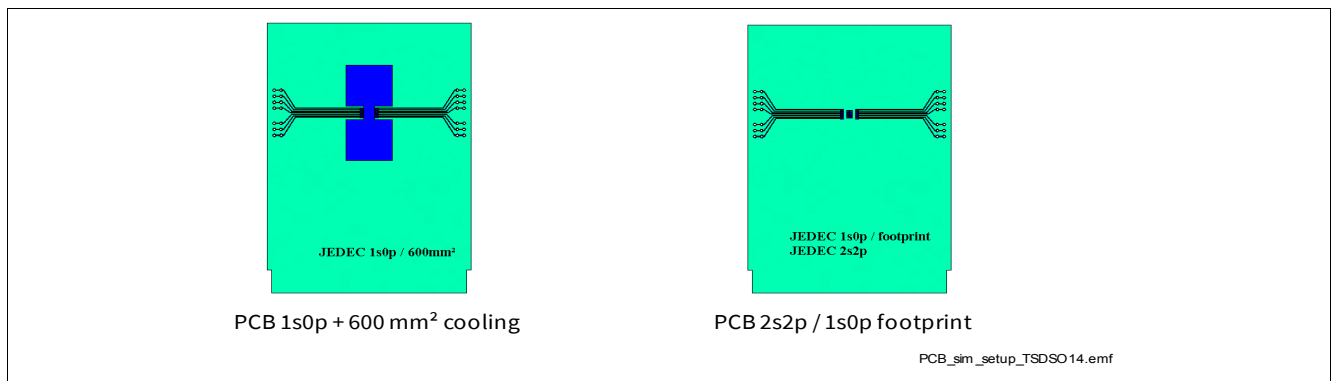


Figure 7 PCB setup for thermal simulations

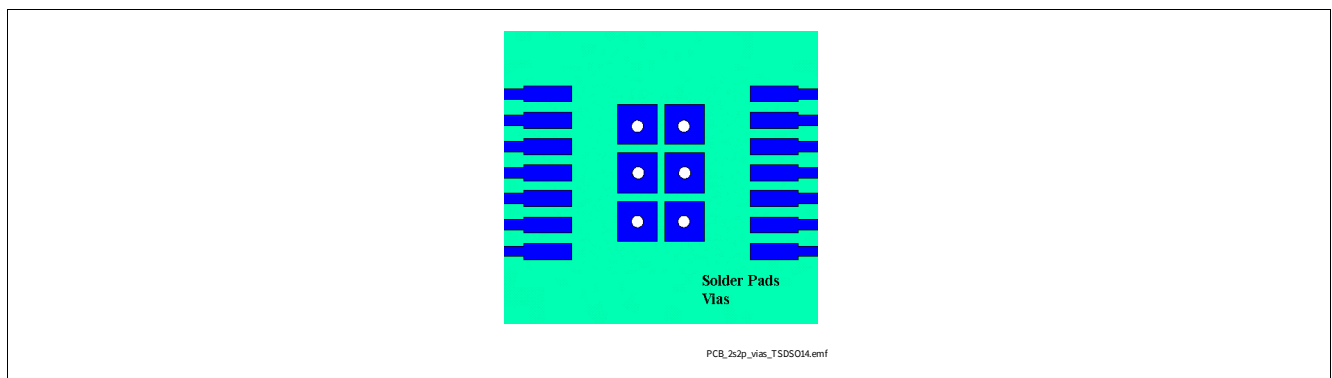


Figure 8 Thermal vias on PCB for 2s2p PCB setup

4.4.2 Thermal Impedance

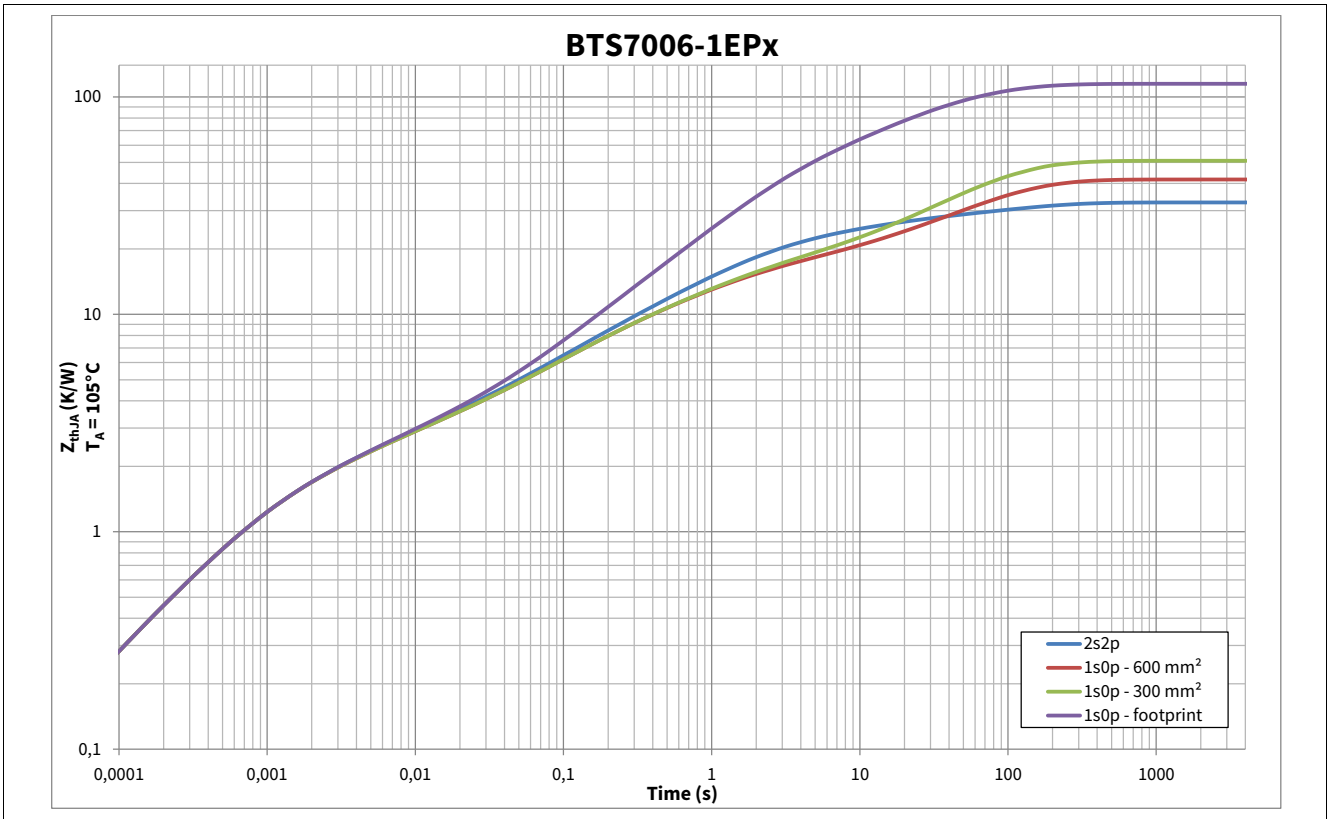


Figure 9 Typical Thermal Impedance. PCB setup according Chapter 4.4.1

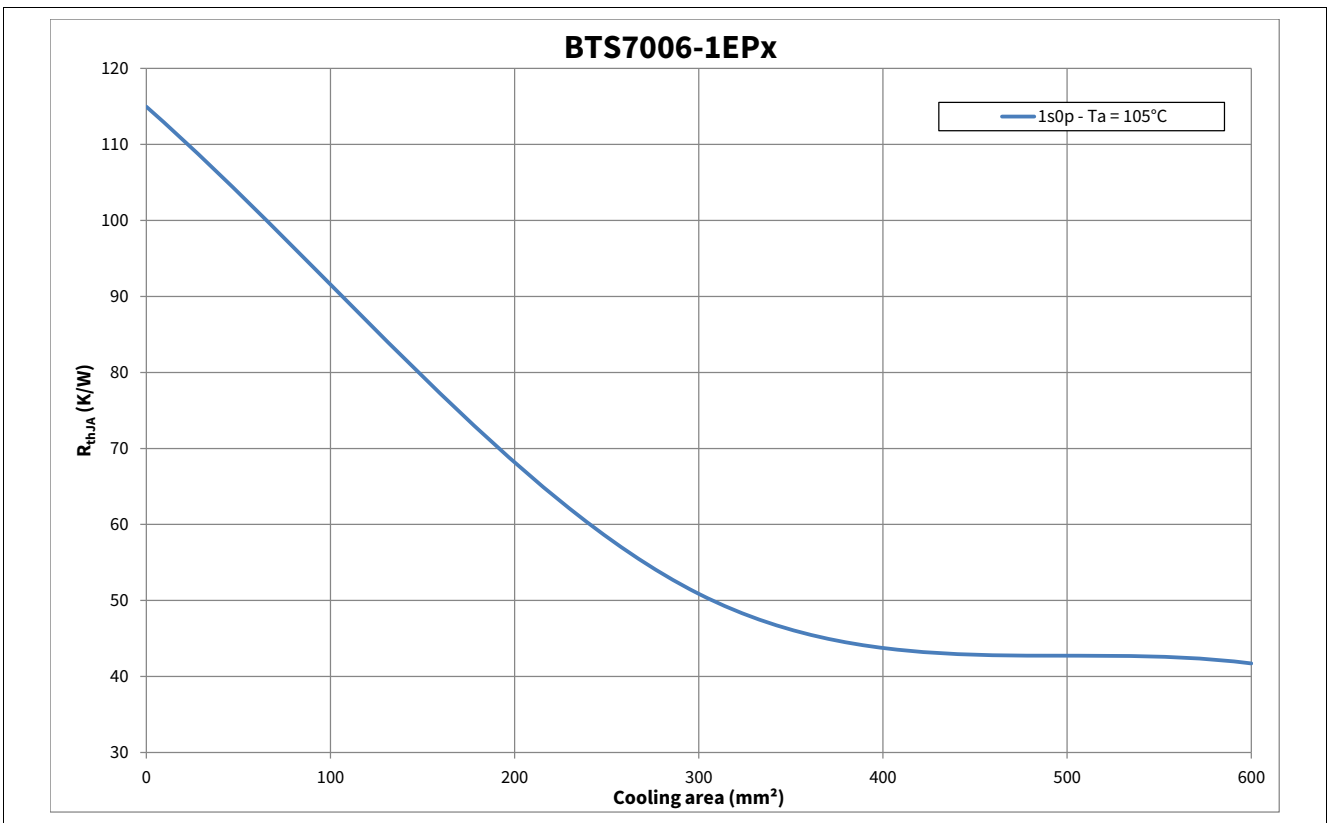


Figure 10 Thermal Resistance on 1s0p PCB with various cooling surfaces

Logic Pins

5 Logic Pins

The device has 2 digital pins.

5.1 Input Pin (IN)

The input pin IN activates the output channel. The input circuitry is compatible with 3.3V and 5V microcontroller (see [Chapter 10](#) for the complete application setup overview). The electrical equivalent of the input circuitry is shown in [Figure 11](#). In case the pin is not used, it should be pulled to module GND or device GND pin via $R_{IN} = 4.7\text{ k}\Omega$.



Figure 11 Input circuitry

The logic thresholds for “low” and “high” states are defined by parameters $V_{Dl(TH)}$ and $V_{Dl(HYS)}$. The relationship between these two values is shown in [Figure 12](#). The voltage V_{IN} needed to ensure a “high” state is always higher than the voltage needed to ensure a “low” state.

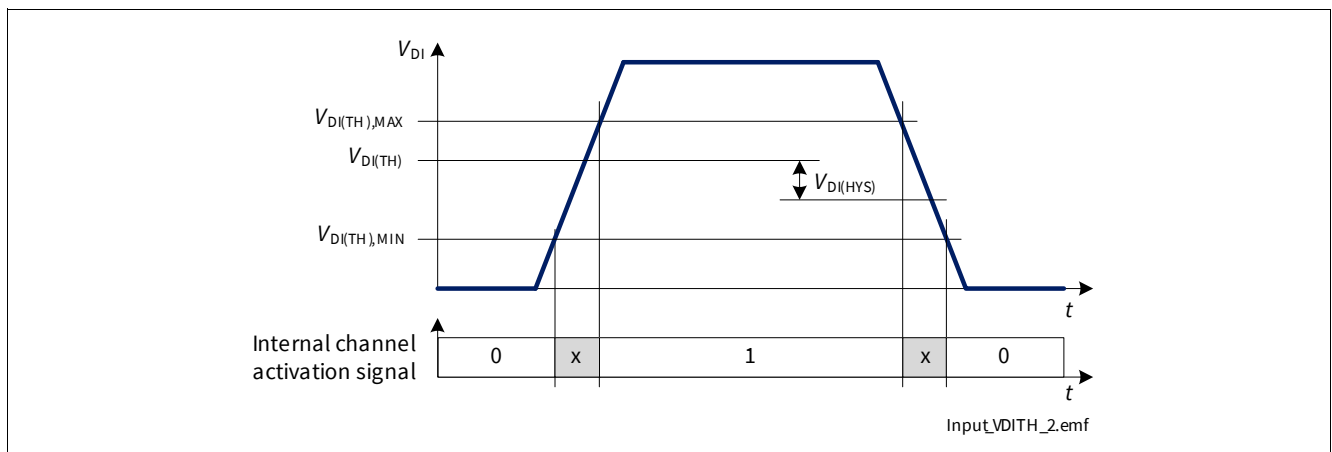


Figure 12 Input Threshold voltages and hysteresis

Logic Pins

5.2 Diagnosis Pin

The Diagnosis Enable (DEN) pin controls the diagnosis circuitry and can be used to reset the latched protection (Protection circuitry not disabled by DEN). When DEN pin is set to “high”, the diagnosis is enabled (see [Chapter 9.2](#) for more details). When it is set to “low”, the diagnosis is disabled (IS pin is set to high impedance).

The transition from “high” to “low” of DEN pin clears the protection latch of the channel depending on the logic state of IN pin and DEN pulse length (see [Chapter 8.3](#) for more details). The internal structure of diagnosis pins is the same as the one of input pins. See [Figure 11](#) for more details.

5.3 Electrical Characteristics Logic Pins

$V_S = 6\text{ V to }18\text{ V}$, $T_J = -40\text{ °C to }+150\text{ °C}$; $T_J = +150\text{ °C to }+175\text{ °C}$ not subject to production test - specified by design
 Typical values: $V_S = 13.5\text{ V}$, $T_J = 25\text{ °C}$

Digital Input (DI) pins = IN, DEN

Table 7 Electrical Characteristics: Logic Pins - General

Parameter	Symbol	Values			Unit	Note or Test Condition	Number
		Min.	Typ.	Max.			
Digital Input Voltage Threshold	$V_{DI(TH)}$	0.8	1.3	2	V	See Figure 11 and Figure 12	P_5.4.0.1
Digital Input Clamping Voltage	$V_{DI(CLAMP1)}$	–	7	–	V	¹⁾ $I_{DI} = 1\text{ mA}$ See Figure 11 and Figure 12	P_5.4.0.2
Digital Input Clamping Voltage	$V_{DI(CLAMP2)}$	6.5	7.5	8.5	V	$I_{DI} = 2\text{ mA}$ See Figure 11 and Figure 12	P_5.4.0.3
Digital Input Hysteresis	$V_{DI(HYS)}$	–	0.25	–	V	¹⁾ See Figure 11 and Figure 12	P_5.4.0.4
Digital Input Current (“high”)	$I_{DI(H)}$	2	10	25	μA	$V_{DI} = 2\text{ V}$ See Figure 11 and Figure 12	P_5.4.0.5
Digital Input Current (“low”)	$I_{DI(L)}$	2	10	25	μA	$V_{DI} = 0.8\text{ V}$ See Figure 11 and Figure 12	P_5.4.0.6

1) Not subject to production test - specified by design.

Power Supply

6 Power Supply

The BTS7006-1EPZ is supplied by V_S , which is used for the internal logic as well as supply for the power output stage. V_S has an undervoltage detection circuit, which prevents the activation of the power output stage and diagnosis in case the applied voltage is below the undervoltage threshold ($V_S < V_{S(OP)}$). During power up, the internal power on signal is set when supply voltage (V_S) exceeds the minimum operating voltage ($V_S > V_{S(OP)}$).

6.1 Operation Modes

BTS7006-1EPZ has the following operation modes in case of $V_S > V_{S(OP)}$:

- OFF mode
- ON mode
- Diagnosis in ON mode
- Diagnosis in OFF mode
- Fault

The transition between operation modes is determined according to these variables:

- Logic level at IN pin
- Logic level at DEN pin
- Internal latch
- Sense current I_{IS} level

The truth table in case of $V_S > V_{S(OP)}$ is shown in **Table 8**. The behavior of BTS7006-1EPZ as well as some parameters may change in dependence on the operation mode of the device.

There are three parameters describing each operation mode of BTS7006-1EPZ:

- Status of the output channel
- Status of the diagnosis
- Current consumption at VS pin (measured by I_{VS} in OFF mode, I_{GND} in all other operative modes)

Table 8 Operation Mode truth table

IN	DEN	Internal latch	I_{IS}	Operative Mode	Comment
L	L	L	leakage	OFF	DMOS channel is OFF
L	L	H	leakage	OFF	DMOS channel is OFF
L	H	L	leakage	OFF_DIAG	Diagnostic in OFF-mode
			open load		Diagnostic in OFF-mode
			fault		Diagnostic in OFF-mode
L	H	H	fault		Diagnostic in OFF-mode
H	L	L	leakage	ON	DMOS channel is ON, no diagnostic
H	L	H	leakage	fault	DMOS channel is switched OFF due to failure
H	H	L	I_{IS}	ON_DIAG	DMOS channel is ON and diagnostic
H	H	H	fault	fault	DMOS channel is switched OFF due to failure

Power Supply**6.1.1 OFF mode**

When BTS7006-1EPZ is in OFF mode, the output channel is OFF. The current consumption is minimum (see parameter $I_{VS(OFF)}$). No Overtemperature, Overload protection mechanism and no diagnosis function is active when the device is in OFF mode.

6.1.2 ON mode

ON (IN = High; DEN = Low) mode is the normal operation mode of BTS7006-1EPZ. Device current consumption is specified with $I_{GND(ON_D)} + I_{IS(OFF)}$ (measured at GND pin because the current at VS pin includes the load current). Overcurrent and Overtemperature protections are active. No diagnosis function is active.

6.1.3 OFF_Diag mode

The device is in OFF_Diag mode as long as DEN pin is set to “high” and IN pin is set to “low”. The output channel is OFF. If an open load case happens, an Open Load in OFF current $I_{IS(OLOFF)}$ may be present at IS pin. In such situation, the current consumption of the device is increased.

6.1.4 ON_Diag mode

The device is in normal ON mode with current sense function. I_{IS} or $I_{IS(FAULT)}$ will be present at IS pin. Device current consumption is specified with $I_{GND(ON_D)}$. Depending on the load condition, either a fault current $I_{IS(FAULT)}$ or I_{IS} current may be present at IS pin.

6.1.5 Fault mode

The device is in Fault mode as soon as a protection event happens which affects that the device switches off due to its protection function. In Fault mode, a $I_{IS(FAULT)}$ signal is presenting at IS pin during the DEN signal is “high”.

6.2 Undervoltage on V_S

Between $V_{S(OP)}$ and $V_{S(UV)}$ the undervoltage mechanism is triggered. If the device is operative (in ON mode) and the supply voltage drops below the undervoltage threshold $V_{S(UV)}$, the internal logic switches OFF the output channel.

As soon as the supply voltage V_S is above the operative threshold $V_{S(OP)}$, the channel is switched ON again. The restart is delayed with a time $t_{DELAY(UV)}$ which protects the device in case the undervoltage condition is caused by a short circuit event (according to AEC-Q100-012), as shown in [Figure 13](#).

If the device is in OFF mode and the input is set to “high”, the channel will be switched ON if $V_S > V_{S(OP)}$ without waiting for $t_{DELAY(UV)}$.

Power Supply

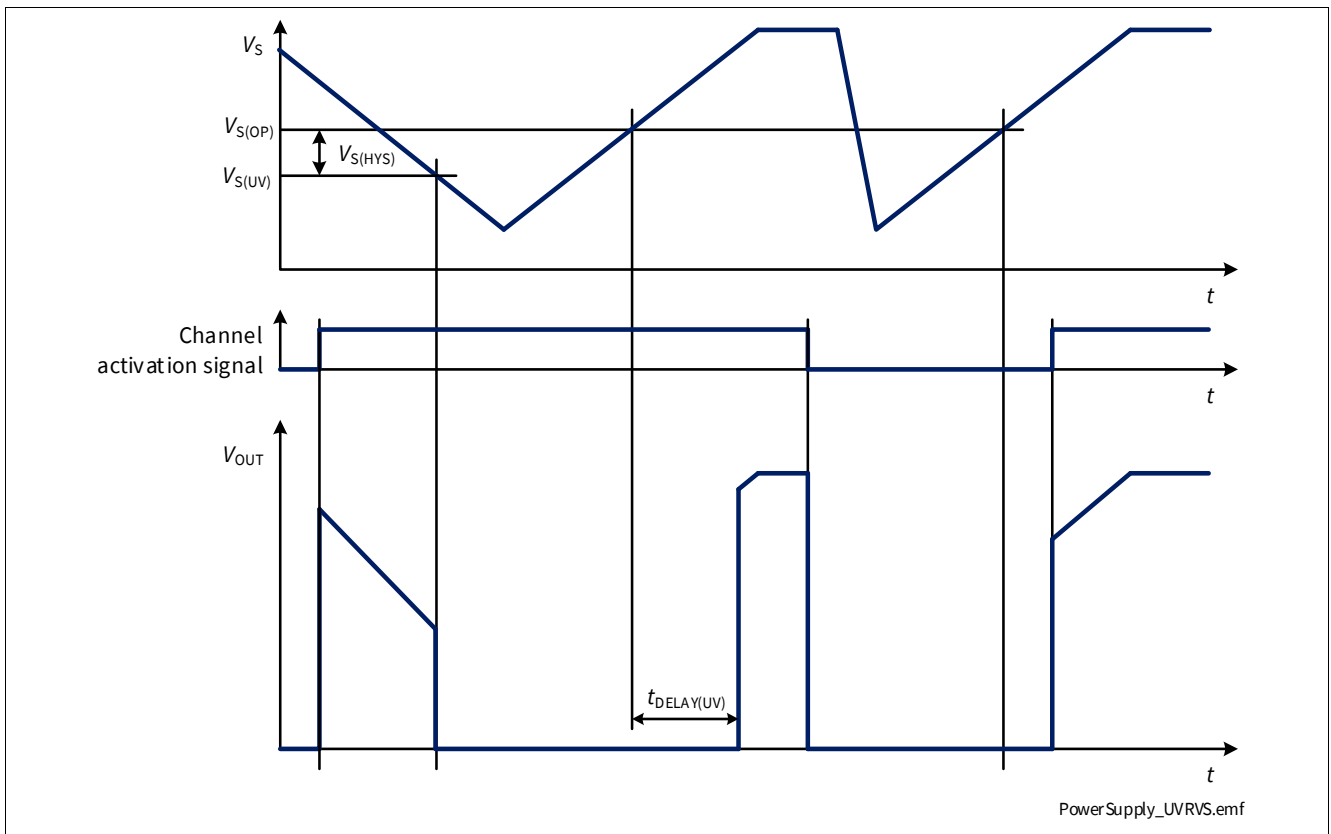


Figure 13 V_S undervoltage behavior

Power Supply

6.3 Electrical Characteristics Power Supply

$V_S = 6\text{ V to }18\text{ V}$, $T_J = -40\text{ °C to }+150\text{ °C}$; $T_J = +150\text{ °C to }+175\text{ °C}$ not subject to production test - specified by design

Typical values: $V_S = 13.5\text{ V}$, $T_J = 25\text{ °C}$

Typical resistive load connected to the output for testing (unless otherwise specified):

$R_L = 2.1\ \Omega$

Table 9 Electrical Characteristics: Power Supply - General

Parameter	Symbol	Values			Unit	Note or Test Condition	Number
		Min.	Typ.	Max.			
VS pin							
Power Supply Undervoltage Shutdown	$V_{S(UV)}$	1.8	2.3	3.1	V	V_S decreasing IN = "high" From $V_{DS} \leq 0.5\text{ V}$ to $V_{DS} = V_S$ See Figure 13	P_6.4.0.1
Power Supply Minimum Operating Voltage	$V_{S(OP)}$	2.0	3.0	4.1	V	V_S increasing IN = "high" From $V_{DS} = V_S$ to $V_{DS} \leq 0.5\text{ V}$ See Figure 13	P_6.4.0.3
Power Supply Undervoltage Shutdown Hysteresis	$V_{S(HYS)}$	–	0.7	–	V	¹⁾ $V_{S(OP)} - V_{S(UV)}$ See Figure 13	P_6.4.0.6
Power Supply Undervoltage Recovery Time	$t_{DELAY(UV)}$	2.5	5	7.5	ms	$dV_S/dt \leq 0.5\text{ V}/\mu\text{s}$ $V_S \geq -1\text{ V}$ See Figure 13	P_6.4.0.7
Breakdown Voltage between GND and VS Pins in Reverse Battery	$-V_{S(REV)}$	16	–	30	V	¹⁾ $I_{GND(REV)} = 7\text{ mA}$ $T_J = 150\text{ °C}$	P_6.4.0.9

1) Not subject to production test - specified by design.

Power Supply

6.4 Electrical Characteristics Power Supply - Product Specific

$V_S = 6\text{ V to }18\text{ V}$, $T_J = -40\text{ °C to }+150\text{ °C}$; $T_J = +150\text{ °C to }+175\text{ °C}$ not subject to production test - specified by design

Typical values: $V_S = 13.5\text{ V}$, $T_J = 25\text{ °C}$

Typical resistive load connected to the output for testing (unless otherwise specified):

$R_L = 2.1\ \Omega$

6.4.1 BTS7006-1EPZ

Table 10 Electrical Characteristics: Power Supply BTS7006-1EPZ

Parameter	Symbol	Values			Unit	Note or Test Condition	Number
		Min.	Typ.	Max.			
Supply Current Consumption in OFF Mode with Loads	$I_{VS(OFF)_85}$	–	0.01	0.4	μA	¹⁾ $V_S = 18\text{ V}$ $V_{OUT} = 0\text{ V}$ IN = DEN = “low” $T_J \leq 85\text{ °C}$	P_6.5.22.1
Supply Current Consumption in OFF Mode with Loads	$I_{VS(OFF)_150}$	–	1	10	μA	$V_S = 18\text{ V}$ $V_{OUT} = 0\text{ V}$ IN = DEN = “low” $T_J = 150\text{ °C}$	P_6.5.22.2
Operating Current in ON_Diag Mode (Channel ON)	$I_{GND(ON_D)}$	–	2	3	mA	$V_S = 18\text{ V}$ IN = DEN = “high”	P_6.5.22.3
Operating Current in OFF_Diag Mode	$I_{GND(OFF_D)}$	–	1.2	1.8	mA	$V_S = 18\text{ V}$ IN = “low”; DEN = “high”	P_6.5.22.5

1) Not subject to production test - specified by design.

Power Stages

7 Power Stages

The high-side power stage is built using a N-channel vertical Power MOSFET with charge pump.

7.1 Output ON-State Resistance

The ON-state resistance $R_{DS(ON)}$ depends mainly on junction temperature T_J . **Figure 14** shows the variation of $R_{DS(ON)}$ across the whole T_J range. The value “2” on the y-axis corresponds to the maximum $R_{DS(ON)}$ measured at $T_J = 150$ °C.

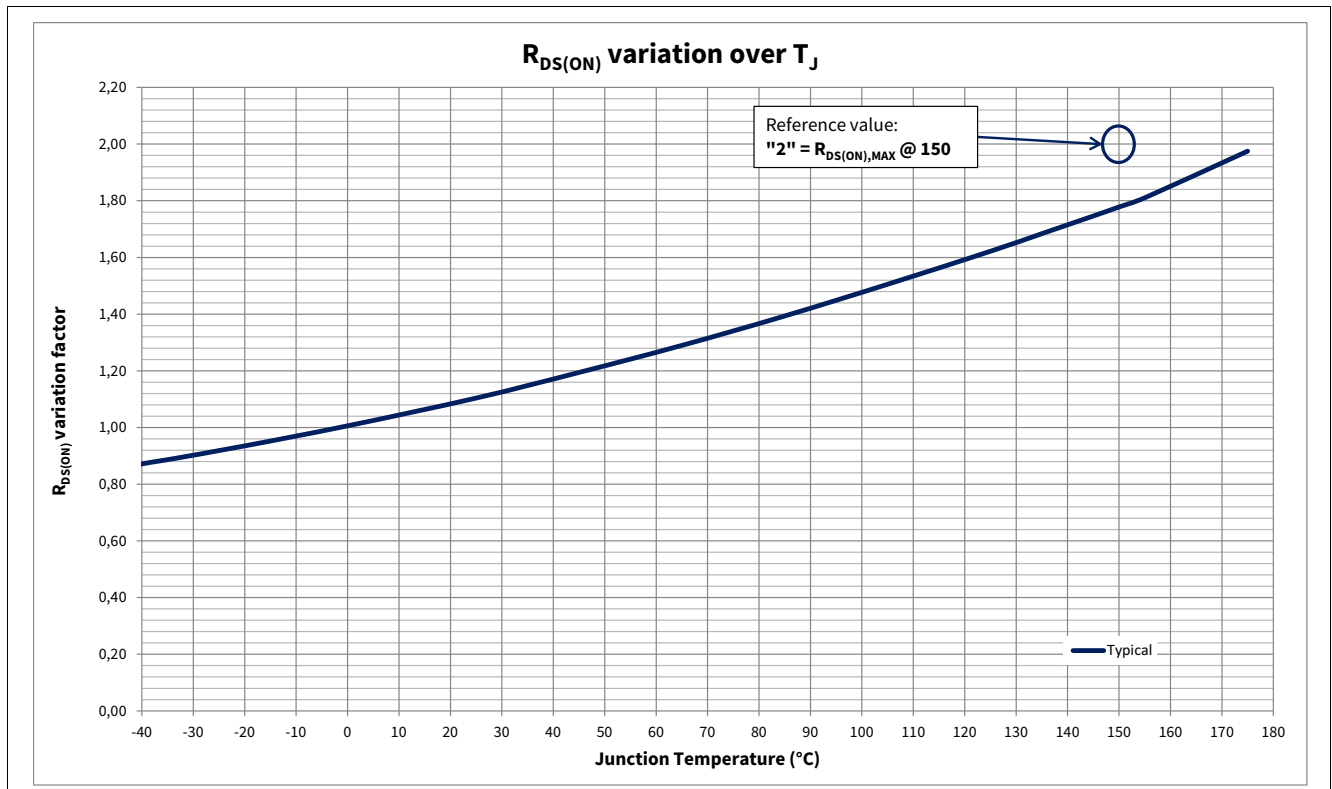


Figure 14 $R_{DS(ON)}$ variation factor

The behavior in Reverse Polarity is described in [Chapter 8.4.1](#).

7.2 Switching loads

7.2.1 Switching Resistive Loads

When switching resistive loads, the switching times and slew rates shown in **Figure 15** can be considered. The switch energy values E_{ON} and E_{OFF} are proportional to load resistance and times t_{ON} and t_{OFF} .

Power Stages

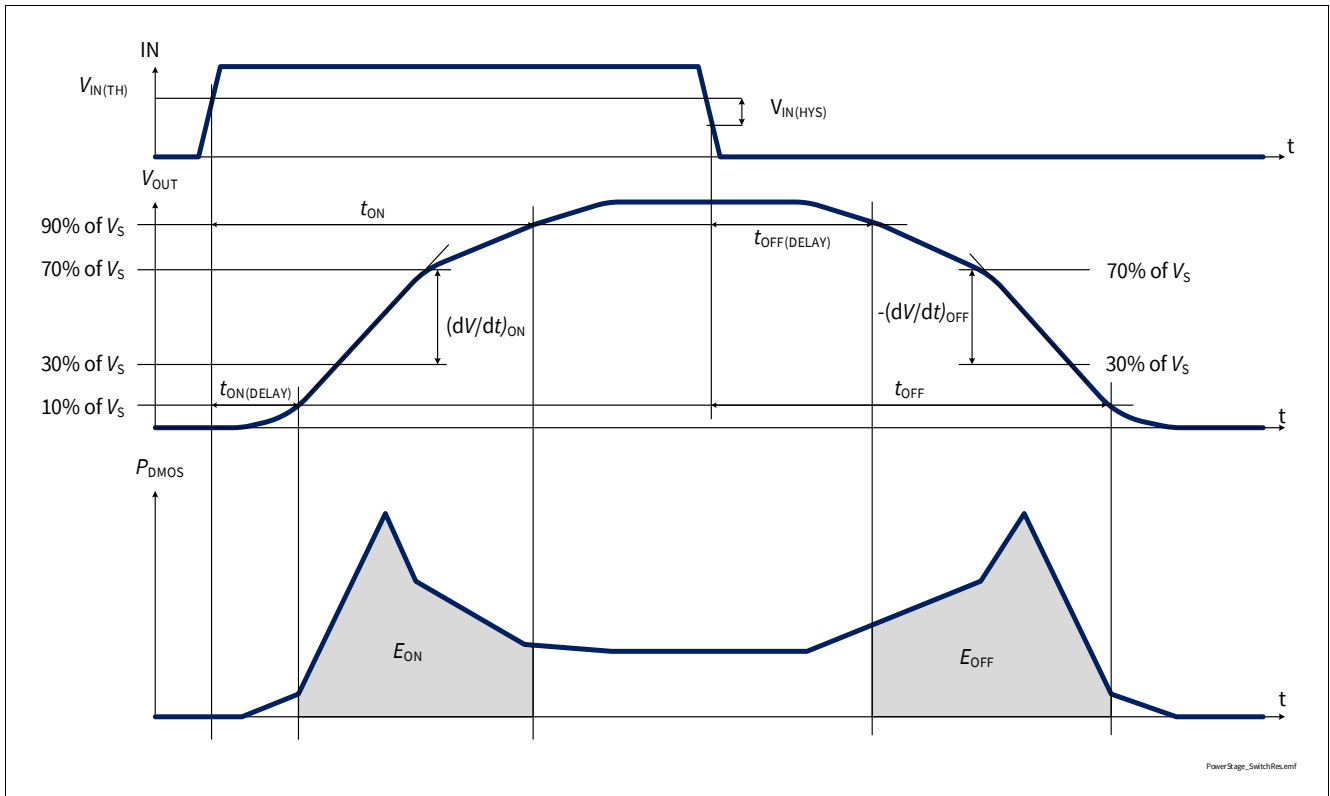


Figure 15 Switching a Resistive Load

7.2.2 Switching Inductive Loads

When switching OFF inductive loads with high-side switches, the voltage V_{OUT} drops below ground potential, because the inductance intends to continue driving the current. To prevent the destruction of the device due to overvoltage, a voltage clamp mechanism is implemented. The clamping structure limits the negative output voltage so that $V_{DS} = V_{DS(CLAMP)}$. **Figure 16** shows a concept drawing of the implementation. The clamping structure is available in all operation modes listed in **Chapter 6.1**.

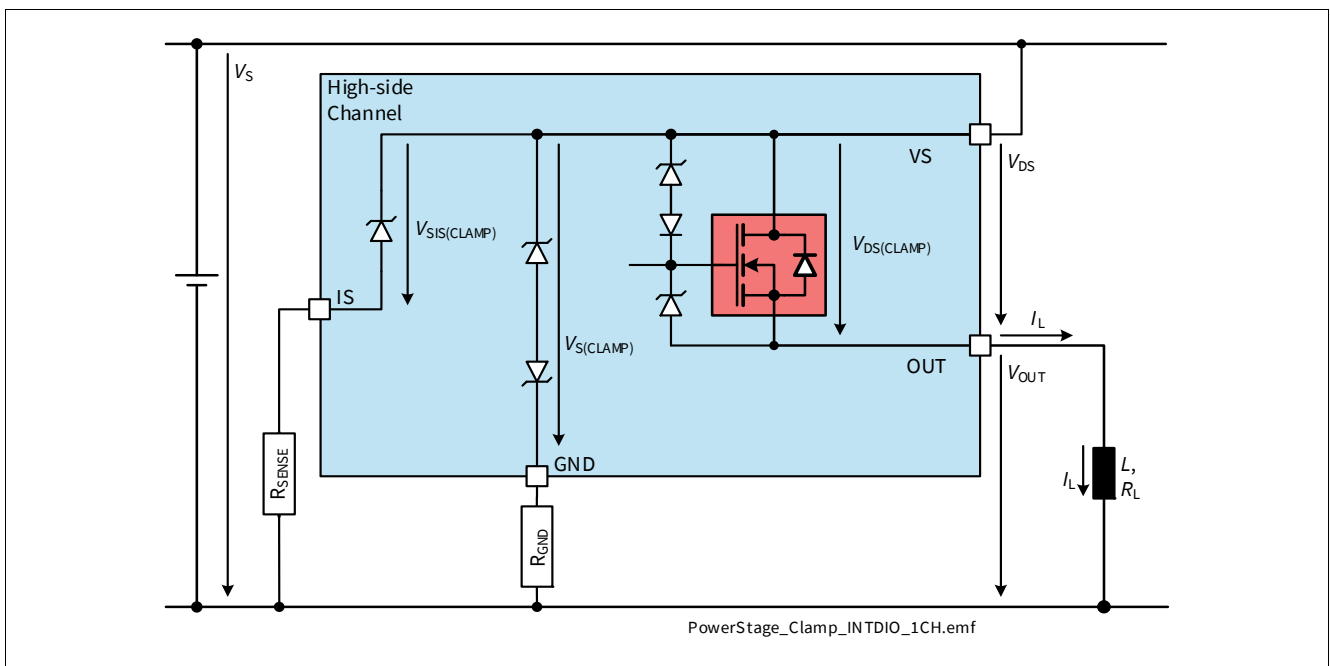


Figure 16 Output Clamp concept

Power Stages

During demagnetization of inductive loads, energy has to be dissipated in BTS7006-1EPZ. The energy can be calculated with **Equation (7.1)**:

$$E = V_{DS(CLAMP)} \cdot \left[\frac{V_S - V_{DS(CLAMP)}}{R_L} \cdot \ln \left(1 - \frac{R_L \cdot I_L}{V_S - V_{DS(CLAMP)}} \right) + I_L \right] \cdot \frac{L}{R_L} \quad (7.1)$$

The maximum energy, therefore the maximum inductance for a given current, is limited by the thermal design of the component. Please refer to **Chapter 4.2** for the maximum allowed values of E_{AS} (single pulse energy) and E_{AR} (repetitive energy).

7.2.3 Output Voltage Limitation

To increase the current sense accuracy, V_{DS} voltage is monitored. When the output current I_L decreases while the channel is diagnosed (DEN pin set to “high” - see **Figure 17**) bringing V_{DS} equal or lower than $V_{DS(SLC)}$, the output DMOS gate is partially discharged. This increases the output resistance so that $V_{DS} = V_{DS(SLC)}$ even for very small output currents. The V_{DS} increase allows the current sensing circuitry to work more efficiently, providing better k_{ILIS} accuracy for output current in the low range.

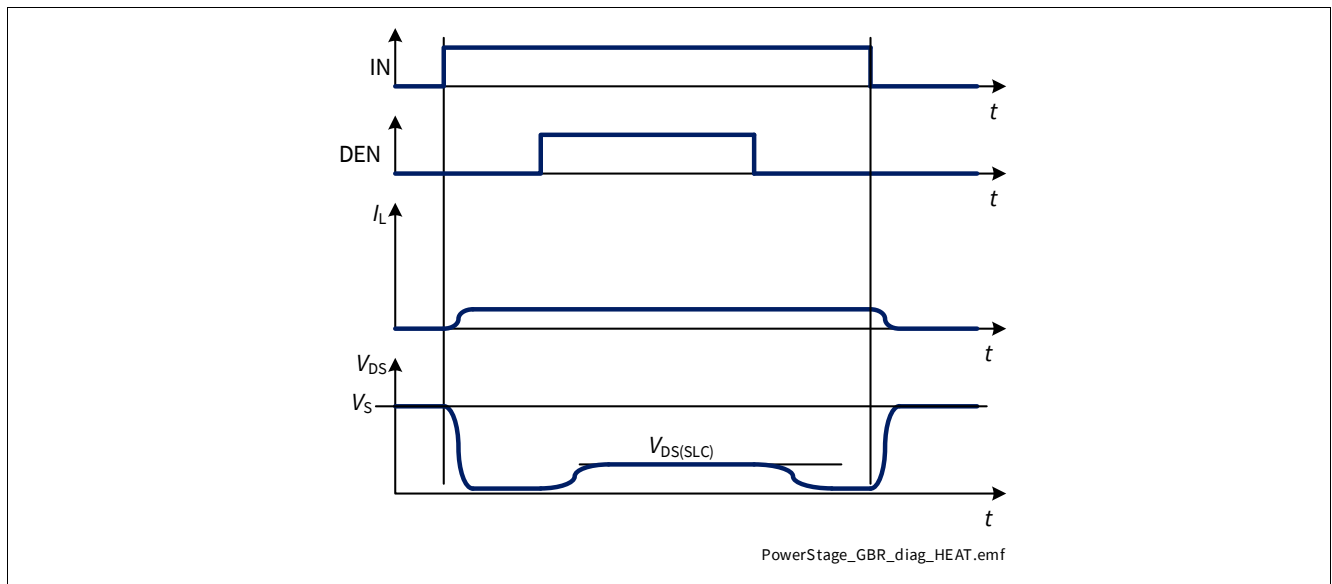


Figure 17 Output Voltage Limitation activation during diagnosis

7.3 Advanced Switching Characteristics

7.3.1 Inverse Current behavior

When $V_{OUT} > V_S$, a current I_{INV} flows into the power output transistor (see **Figure 18**). This condition is known as “Inverse Current”.

If the channel is in OFF state, the current flows through the intrinsic body diode generating high power losses therefore an increase of overall device temperature. If the channel is in ON state, $R_{DS(INV)}$ can be expected and power dissipation in the output stage is comparable to normal operation in $R_{DS(ON)}$.

During Inverse Current condition, the channel remains in ON or OFF state as long as $|I_L| < |I_{L(INV)}|$.

With InverseON, it is possible to switch ON the channel during Inverse Current condition as long as $|I_L| < |I_{L(INV)}|$ (see **Figure 19**).

Power Stages

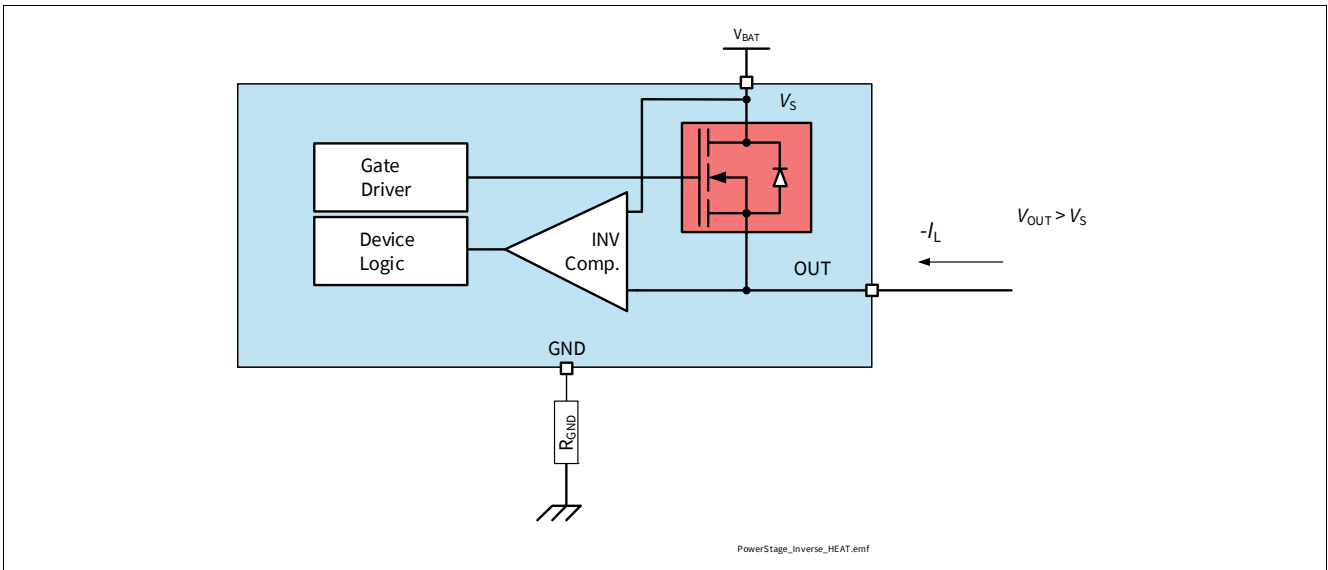


Figure 18 Inverse Current Circuitry

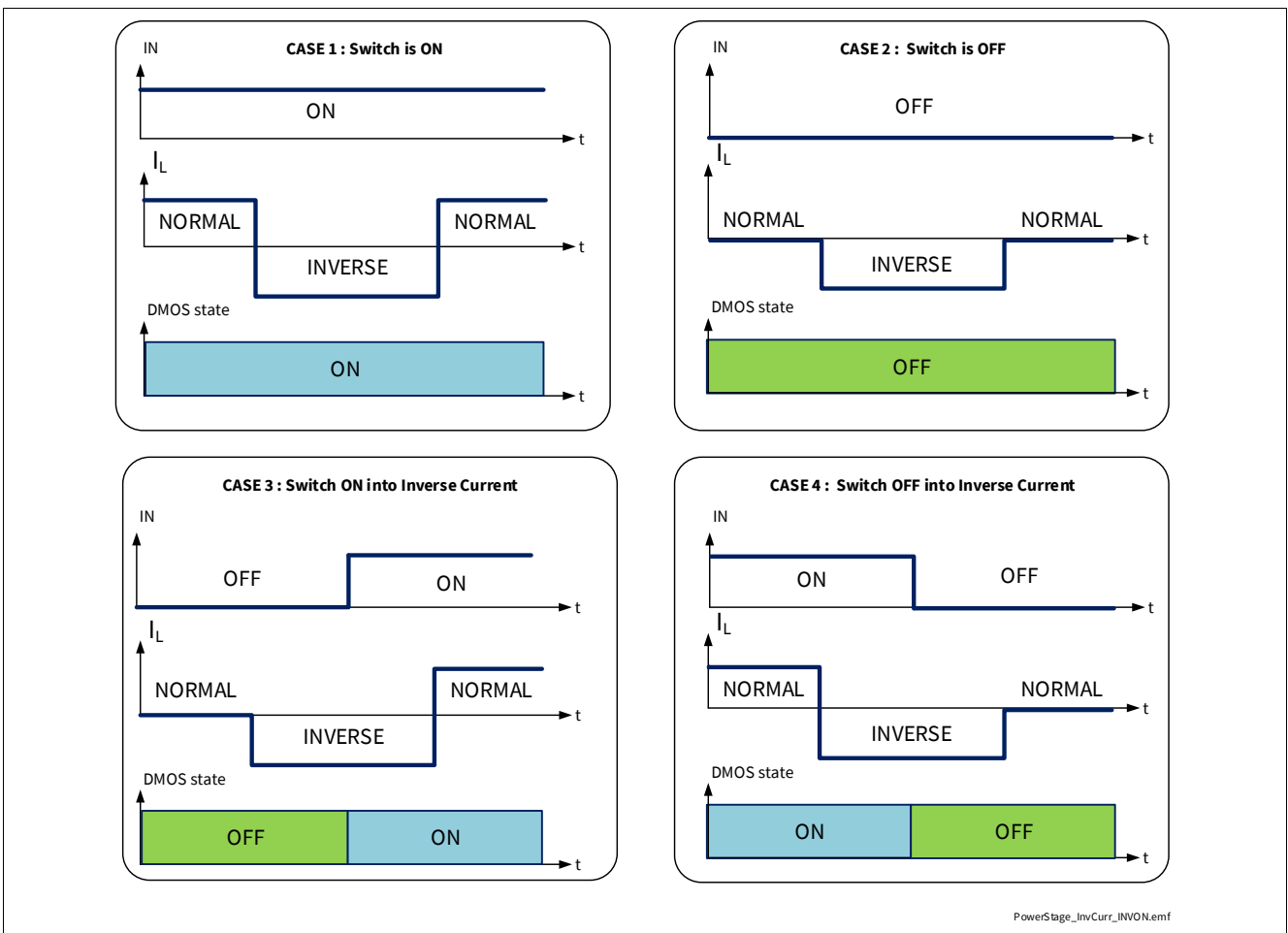


Figure 19 InverseON - Channel behavior in case of applied Inverse Current

Note: No protection mechanism like Overtemperature or Overload protection is active during applied Inverse Currents.

Power Stages

7.3.2 Cross Current robustness with H-Bridge configuration

When BTS7006-1EPZ is used as high-side switch e.g. in a bridge configuration (therefore paired with a low-side switch as shown in **Figure 20**), the maximum slew rate applied to the output by the low-side switch must be lower than $|dV_{OUT} / dt|$. Otherwise the output stage may turn ON in linear mode (not in $R_{DS(ON)}$) while the low-side switch is commutating. This creates an unprotected overheating for the DMOS due to the cross-conduction current.

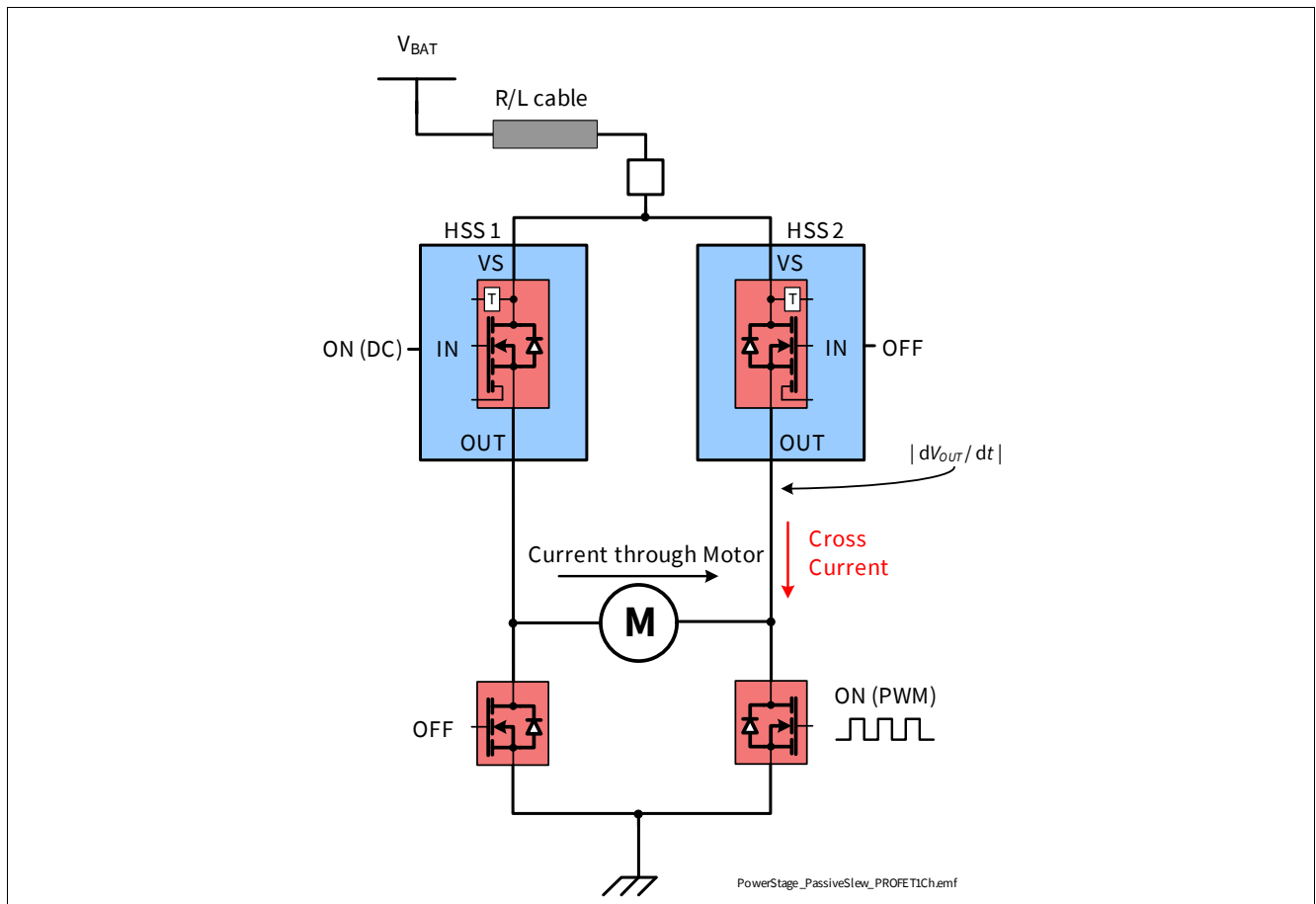


Figure 20 High-Side switch used in Bridge configuration

Power Stages

7.4 Electrical Characteristics Power Stages

$V_S = 6\text{ V to }18\text{ V}$, $T_J = -40\text{ °C to }+150\text{ °C}$; $T_J = +150\text{ °C to }+175\text{ °C}$ not subject to production test - specified by design

Typical values: $V_S = 13.5\text{ V}$, $T_J = 25\text{ °C}$

Typical resistive load connected to the output for testing (unless otherwise specified):

$R_L = 2.1\ \Omega$

Table 11 Electrical Characteristics: Power Stages - General

Parameter	Symbol	Values			Unit	Note or Test Condition	Number
		Min.	Typ.	Max.			
Voltages							
Drain to Source Clamping Voltage at $T_J = -40\text{ °C}$	$V_{DS(CLAMP)_{-40}}$	33	36.5	42	V	$I_L = 5\text{ mA}$ $T_J = -40\text{ °C}$ See Figure 16	P_7.4.0.1
Drain to Source Clamping Voltage at $T_J \geq 25\text{ °C}$	$V_{DS(CLAMP)_{25}}$	35	38	44	V	¹⁾ $I_L = 5\text{ mA}$ $T_J \geq 25\text{ °C}$ See Figure 16	P_7.4.0.2

1) Tested at $T_J = 150\text{ °C}$.

7.4.1 Electrical Characteristics Power Stages

Table 12 Electrical Characteristics: Power Stages

Parameter	Symbol	Values			Unit	Note or Test Condition	Number
		Min.	Typ.	Max.			
Timings							
Switch-ON Delay	$t_{ON(Delay)}$	10	70	130	μs	$V_S = 13.5\text{ V}$ $V_{OUT} = 10\% V_S$	P_7.4.5.1
Switch-OFF Delay	$t_{OFF(Delay)}$	10	50	160	μs	$V_S = 13.5\text{ V}$ $V_{OUT} = 90\% V_S$	P_7.4.5.2
Switch-ON Time	t_{ON}	50	130	210	μs	$V_S = 13.5\text{ V}$ $V_{OUT} = 90\% V_S$	P_7.4.5.3
Switch-OFF Time	t_{OFF}	30	100	220	μs	$V_S = 13.5\text{ V}$ $V_{OUT} = 10\% V_S$	P_7.4.5.4
Switch-ON/OFF Matching $t_{ON} - t_{OFF}$	Δt_{SW}	-60	25	90	μs	$V_S = 13.5\text{ V}$	P_7.4.5.5
Voltage Slope							
Switch-ON Slew Rate	$(dV/dt)_{ON}$	0.16	0.27	0.39	V/ μs	$V_S = 13.5\text{ V}$ $V_{OUT} = 30\% \text{ to } 70\%$ of V_S	P_7.4.5.6
Switch-OFF Slew Rate	$-(dV/dt)_{OFF}$	0.16	0.27	0.39	V/ μs	$V_S = 13.5\text{ V}$ $V_{OUT} = 70\% \text{ to } 30\%$ of V_S	P_7.4.5.7

Power Stages

Table 12 Electrical Characteristics: Power Stages (continued)

Parameter	Symbol	Values			Unit	Note or Test Condition	Number
		Min.	Typ.	Max.			
Slew Rate Matching (dV/dt) _{ON} - (dV/dt) _{OFF}	$\Delta(dV/dt)_{SW}$	-0.15	0	+0.15	V/ μ s	$V_S = 13.5$ V	P_7.4.5.8
Voltages							
Output Voltage Drop Limitation at Small Load Currents	$V_{DS(SLC)}$	2	10	20	mV	¹⁾ $I_{OUT} = I_{OUT(OL)} = 20$ mA	P_7.4.5.9

¹⁾ Not subject to production test - specified by design

7.5 Electrical Characteristics - Power Output Stages

$V_S = 6$ V to 18 V, $T_J = -40$ °C to +150 °C; $T_J = +150$ °C to +175 °C not subject to production test - specified by design
 Typical values: $V_S = 13.5$ V, $T_J = 25$ °C

Typical resistive load connected to the output for testing (unless otherwise specified):

$R_L = 2.1$ Ω

7.5.1 Power Output Stage - 6 m Ω

Table 13 Electrical Characteristics: Power Stages - 6 m Ω

Parameter	Symbol	Values			Unit	Note or Test Condition	Number
		Min.	Typ.	Max.			
Output characteristics							
ON-State Resistance at $T_J = 25$ °C	$R_{DS(ON)_25}$	-	6.6	-	m Ω	¹⁾ $T_J = 25$ °C	P_7.5.12.1
ON-State Resistance at $T_J = 150$ °C	$R_{DS(ON)_150}$	-	-	12	m Ω	$T_J = 150$ °C	P_7.5.12.2
ON-State Resistance at $T_J = 175$ °C	$R_{DS(ON)_175}$	-	-	13.5	m Ω	¹⁾ $T_J = 175$ °C	P_7.5.12.17
ON-State Resistance in Cranking	$R_{DS(ON)_{CRANK}}$	-	-	15	m Ω	$T_J = 150$ °C $V_S = 3.1$ V	P_7.5.12.3
ON-State Resistance in Inverse Current at $T_J = 25$ °C	$R_{DS(INV)_25}$	-	6.7	-	m Ω	¹⁾ $T_J = 25$ °C $V_S = 13.5$ V $I_L = -4$ A DEN = "low" see Figure 18	P_7.5.12.4
ON-State Resistance in Inverse Current at $T_J = 150$ °C	$R_{DS(INV)_150}$	-	-	15	m Ω	$T_J = 150$ °C $V_S = 13.5$ V $I_L = -4$ A DEN = "low" see Figure 18	P_7.5.12.5

Power Stages

Table 13 Electrical Characteristics: Power Stages - 6 mΩ (continued)

Parameter	Symbol	Values			Unit	Note or Test Condition	Number
		Min.	Typ.	Max.			
ON-State Resistance in Inverse Current at $T_J = 175\text{ °C}$	$R_{DS(INV)_175}$	–	–	15	mΩ	1) $T_J = 175\text{ °C}$ $V_S = 13.5\text{ V}$ $I_L = -4\text{ A}$ DEN = “low” see Figure 18	P_7.5.12.19
ON-State Resistance in Reverse Polarity at $T_J = 25\text{ °C}$	$R_{DS(REV)_25}$	–	14.3	–	mΩ	1) $T_J = 25\text{ °C}$ $V_S = -13.5\text{ V}$ $I_L = -4\text{ A}$ see Figure 29	P_7.5.12.6
ON-State Resistance in Reverse Polarity at $T_J = 150\text{ °C}$	$R_{DS(REV)_150}$	–	–	24	mΩ	$T_J = 150\text{ °C}$ $V_S = -13.5\text{ V}$ $I_L = -4\text{ A}$	P_7.5.12.7
Nominal Load Current	$I_{L(NOM)}$	–	12.5	–	A	1) $T_A = 85\text{ °C}$ $T_J \leq 150\text{ °C}$	P_7.5.12.8
Nominal Load Current	$I_{L(NOM)_125}$	–	8	–	A	1) $T_A = 125\text{ °C}$ $150\text{ °C} < T_J \leq 175\text{ °C}$	P_7.5.12.22
Output Leakage Current at $T_J \leq 85\text{ °C}$	$I_{L(OFF)_85}$	–	0.01	0.4	μA	1) $V_{OUT} = 0\text{ V}$ $V_{IN} = \text{“low”}$ $T_A \leq 85\text{ °C}$	P_7.5.12.9
Output Leakage Current at $T_J = 150\text{ °C}$	$I_{L(OFF)_150}$	–	–	10	μA	$V_{OUT} = 0\text{ V}$ $V_{IN} = \text{“low”}$ $T_A = 150\text{ °C}$	P_7.5.12.10
Output Leakage Current at $T_J = 175\text{ °C}$	$I_{L(OFF)_175}$	–	17	60	μA	1) $V_{OUT} = 0\text{ V}$ $V_{IN} = \text{“low”}$ $T_A = 175\text{ °C}$	P_7.5.12.21
Inverse Current Capability	$I_{L(INV)}$	–	-12.5	–	A	1) $V_S < V_{OUT}$ IN = “high” $-40\text{ °C} < T_J \leq 150\text{ °C}$ see Figure 18	P_7.5.12.11

Voltage Slope

Passive Slew Rate (e.g. for Half Bridge Configuration)	$ dV_{OUT} / dt $	–	–	10	V/μs	1) $V_S = 13.5\text{ V}$ see Figure 20	P_7.5.12.12
--	-------------------	---	---	----	------	--	-------------

Voltages

Drain Source Diode Voltage	$ V_{DS(DIODE)} $	–	550	700	mV	$I_L = -190\text{ mA}$ $T_J = 150\text{ °C}$	P_7.5.12.13
----------------------------	-------------------	---	-----	-----	----	---	-------------

Power Stages

Table 13 Electrical Characteristics: Power Stages - 6 mΩ (continued)

Parameter	Symbol	Values			Unit	Note or Test Condition	Number
		Min.	Typ.	Max.			
Switching Energy							
Switch-ON Energy	E_{ON}	–	1.5	–	mJ	1) $V_S = 18\text{ V}$ see Figure 15	P_7.5.12.14
Switch-OFF Energy	E_{OFF}	–	1.65	–	mJ	1) $V_S = 18\text{ V}$ see Figure 15	P_7.5.12.15

1) Not subject to production test - specified by design.

Protection

8 Protection

The BTS7006-1EPZ is protected against Overtemperature, Overload, Reverse Battery (with ReverseON) and Overvoltage. Overtemperature and Overload protections are working when the device is in ON or ON_Diag mode but not during InverseON and ReverseON function. Overvoltage protection works in all operation modes. Reverse Battery protection works when the GND and VS pins are reverse supplied.

8.1 Overtemperature Protection

The device incorporates both an absolute ($T_{J(ABS)}$) and a dynamic ($T_{J(DYN)}$) temperature protection circuitry for the channel. An increase of junction temperature T_J above either one of the two thresholds ($T_{J(ABS)}$ or $T_{J(DYN)}$) switches OFF the overheated channel to prevent destruction. The channel remains switched OFF until junction temperature has reached the “Reactivation” condition described in **Table 14**. The behavior is shown in **Figure 21** (absolute Overtemperature Protection) and **Figure 22** (dynamic Overtemperature Protection). $T_{J(REF)}$ is the reference temperature used for dynamic temperature protection.

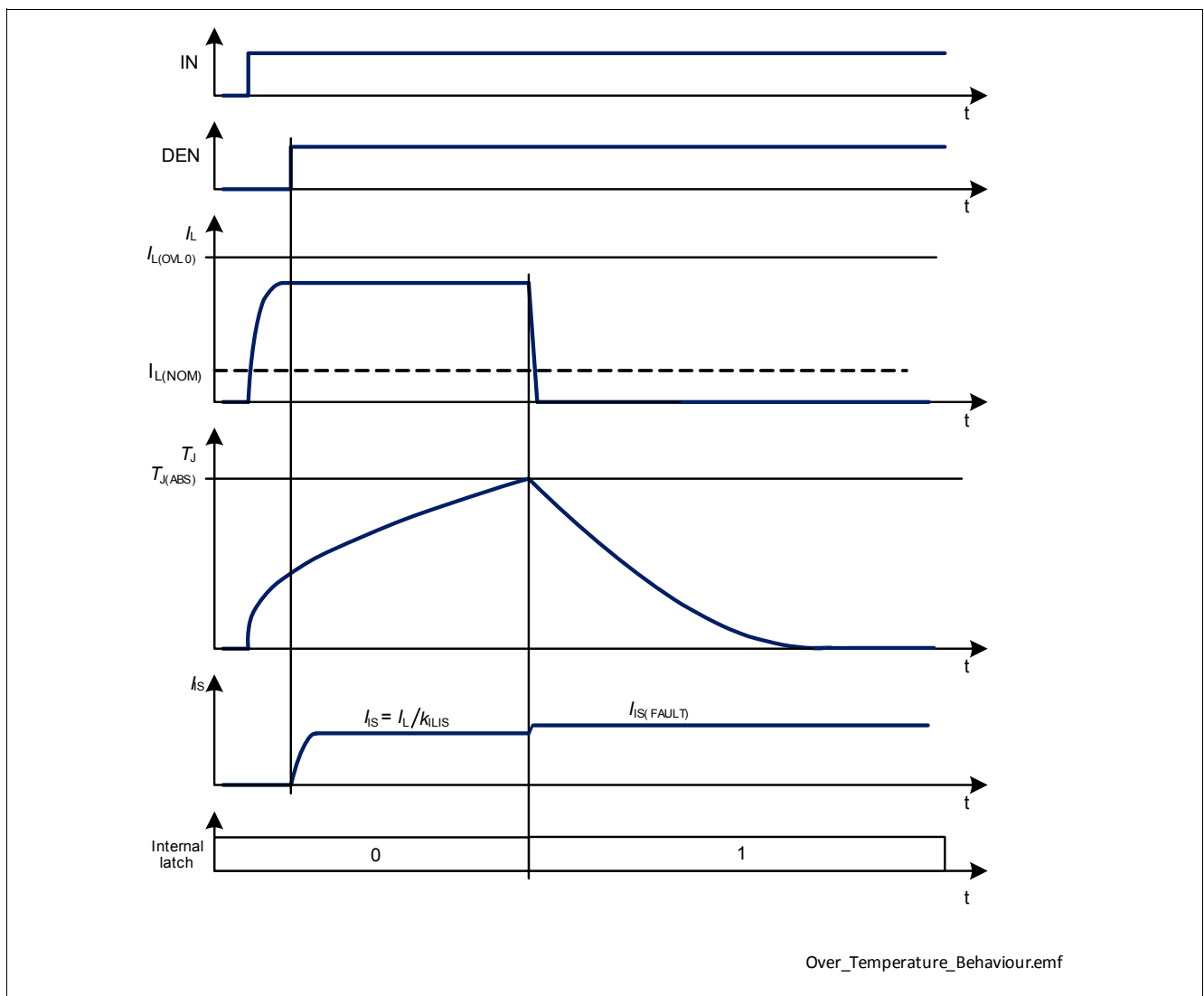


Figure 21 Overtemperature Protection (Absolute)

Protection

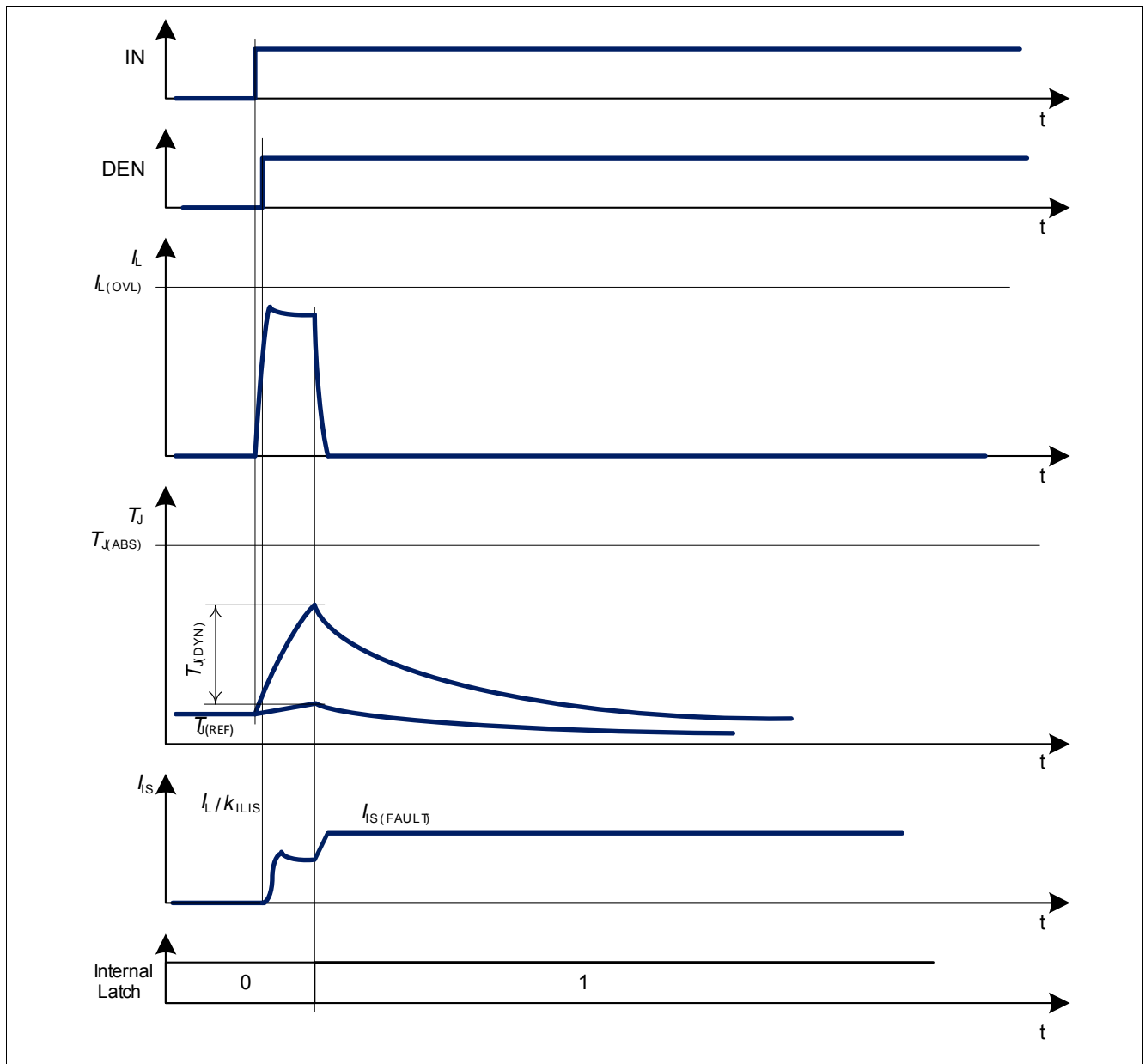


Figure 22 Overtemperature Protection (Dynamic)

When the Overtemperature protection circuitry allows the channel to be switched ON again, the Intelligent Latch strategy described in [Chapter 8.3](#) is followed.

8.2 Overload Protection

The BTS7006-1EPZ is protected in case of Overload or short circuit to ground. Two Overload thresholds are defined (see [Figure 23](#)) and selected automatically depending on the voltage V_{DS} across the power DMOS:

- $I_{L(OVL0)}$ when $V_{DS} < 13\text{ V}$
- $I_{L(OVL1)}$ when $V_{DS} > 22\text{ V}$

Protection

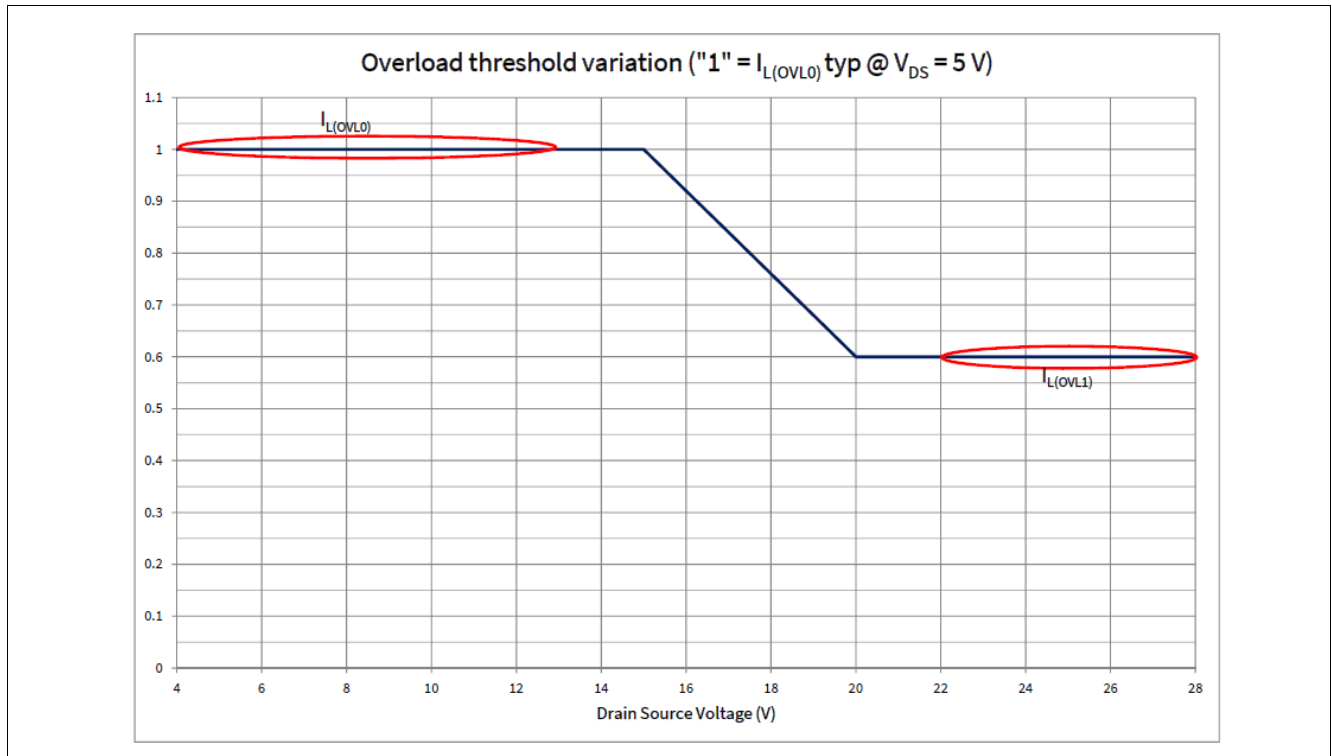


Figure 23 Overload Current Thresholds

In order to allow a higher load inrush at low ambient temperature, Overload threshold is maximum at low temperature and decreases when T_J increases (see [Figure 24](#)). $I_{L(OVL0)}$ typical value remains constant up to a junction temperature of +75 °C.

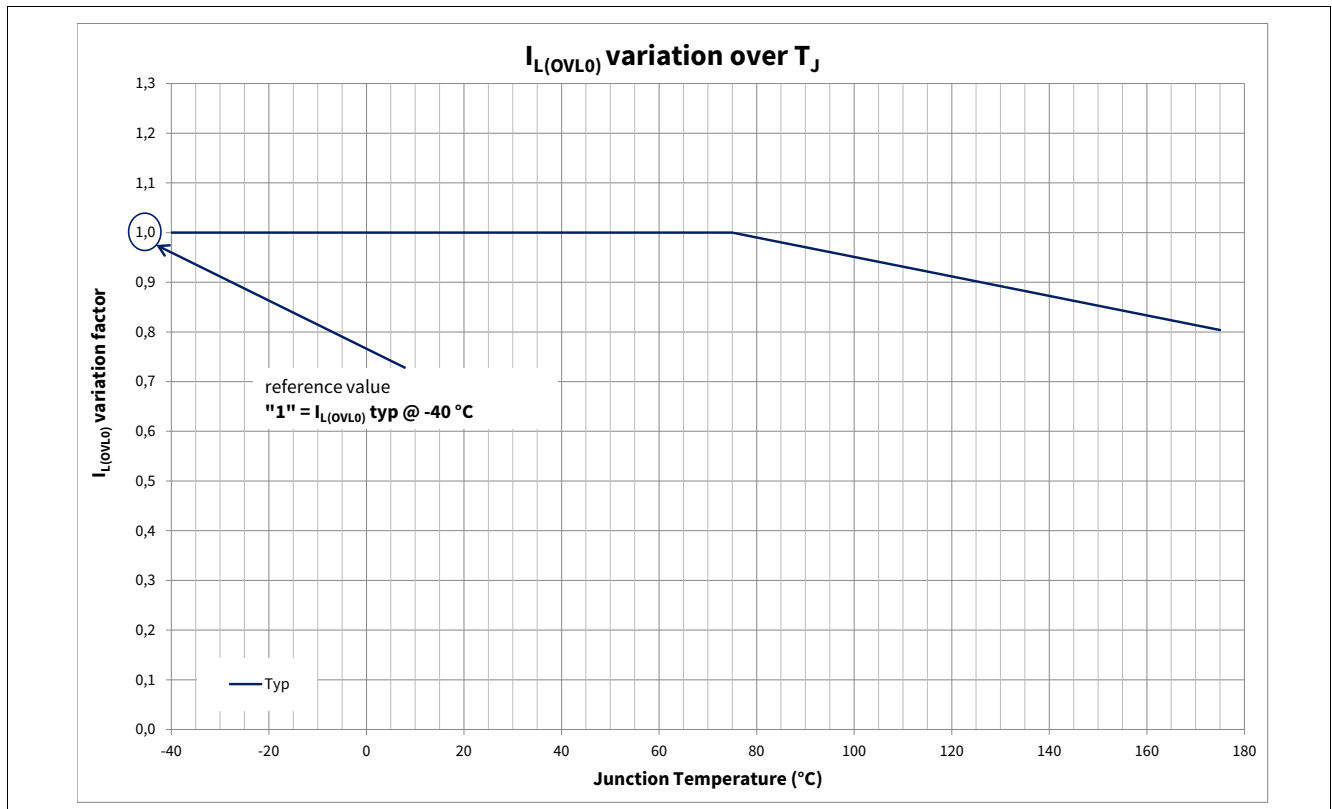


Figure 24 Overload Current Thresholds variation with T_J

Protection

Power supply voltage V_S can increase above 18 V for short time, for instance in Load Dump or in Jump Start condition. Whenever $V_S \geq V_{S(JS)}$, the overload detection current is set to $I_{L(OVL_JS)}$ as shown in **Figure 25**.

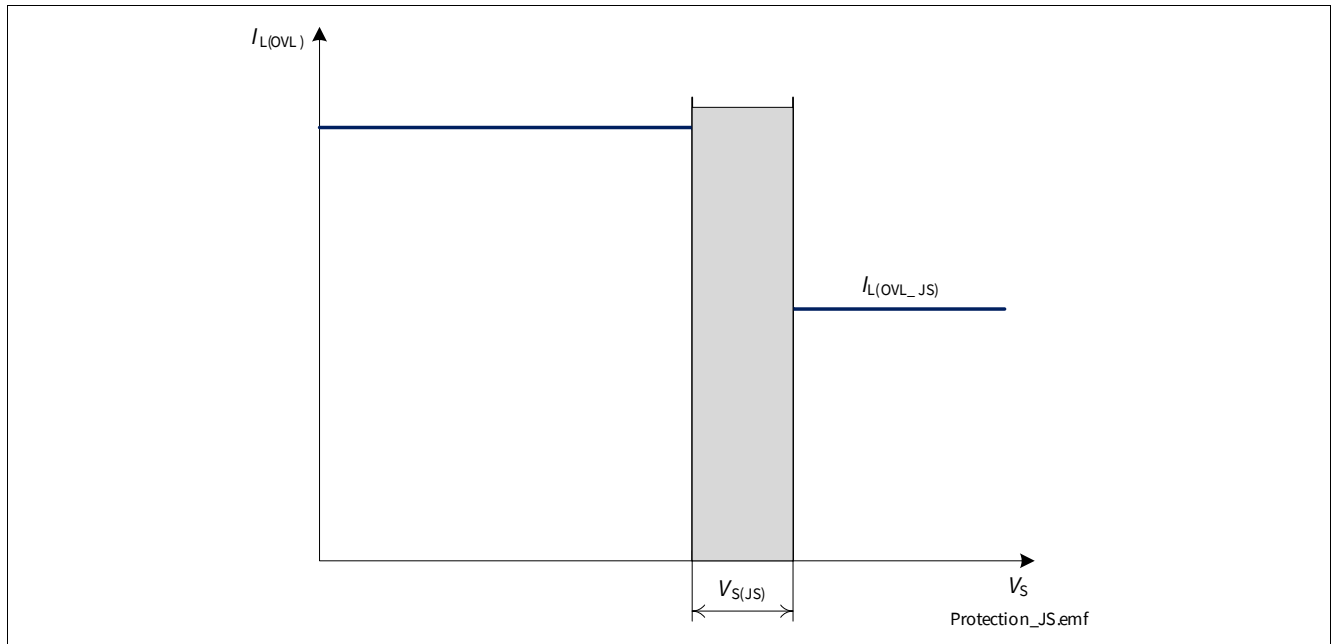


Figure 25 Overload Detection Current variation with V_S voltage

When $I_L \geq I_{L(OVL)}$ (either $I_{L(OVL0)}$ or $I_{L(OVL1)}$) the channel is switched OFF. The channel is allowed to be reactivated according to the intelligent latch strategy described in **Chapter 8.3**.

8.3 Protection and Diagnosis in case of Fault

Any event that triggers a protection mechanism (either Overtemperature or Overload) has 2 consequences:

- The channel switches OFF and the internal latch is set to “1”
- If the diagnosis is active for the channel, a current $I_{IS(FAULT)}$ is provided by IS pin (see **Chapter 9.2.2** for further details)

The channel can be switched ON again if all the protection mechanisms fulfill the “reactivation” conditions described in **Table 14**. Furthermore, the device has the intelligent latch to protect itself against unwanted repetitive reactivation in fault condition.

Table 14 Protection “Reactivation” Condition

Fault condition	Switch OFF event	“Reactivation” condition
Overtemperature	$T_J \geq T_{J(ABS)}$ or $(T_J - T_{J(REF)}) \geq T_{J(DYN)}$	$T_J < T_{J(ABS)}$ and $(T_J - T_{J(REF)}) < T_{J(DYN)}$ (including hysteresis)
Overload	$I_L \geq I_{L(OVL)}$	Device is OFF

8.3.1 Intelligent Latch Strategy

At normal condition, when IN is set to “high”, the channel is switched ON. In case of fault condition the output stage latches OFF. There are two ways to de-latch the switch.

With IN pin:

It is necessary to set the input pin to “low” for a time longer than $t_{DELAY(LR)}$ (“latch reset delay” time) to de-latch the channel. The channel can be allowed to restart only if the “latch” conditions for the protection mechanisms are fulfilled (see **Table 14**).

Protection

During the “latch reset delay” time, if the input is set to “high” the channel remains switched OFF and the timer $t_{\text{DELAY(LR)}}$ is reset. The timer $t_{\text{DELAY(LR)}}$ restarts as soon as the input pin is set to “low” again. The intelligent latch strategy is shown in **Figure 28** (flowchart) and **Figure 26** (timing diagram).

With DEN pin:

It is possible to “force” a reset of the internal latch without waiting for $t_{\text{DELAY(LR)}}$ by applying a pulse (rising edge followed by a falling edge) to the DEN pin while IN pin is “low”. The pulse applied to DEN pin must have a duration longer than $t_{\text{DEN(LR)}}$ to ensure a reset of the internal latch.

The timing is shown in **Figure 27**.

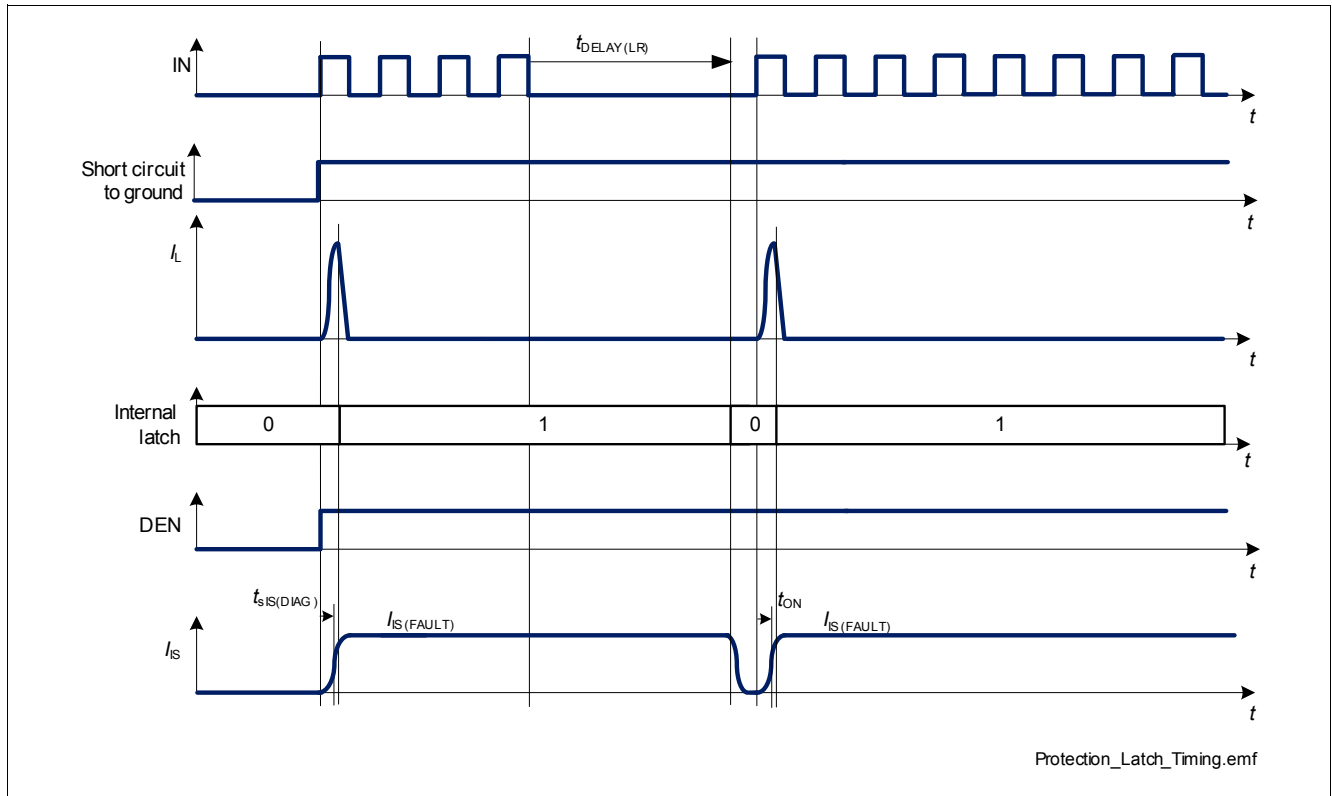


Figure 26 Intelligent Latch Timing Diagram

Protection

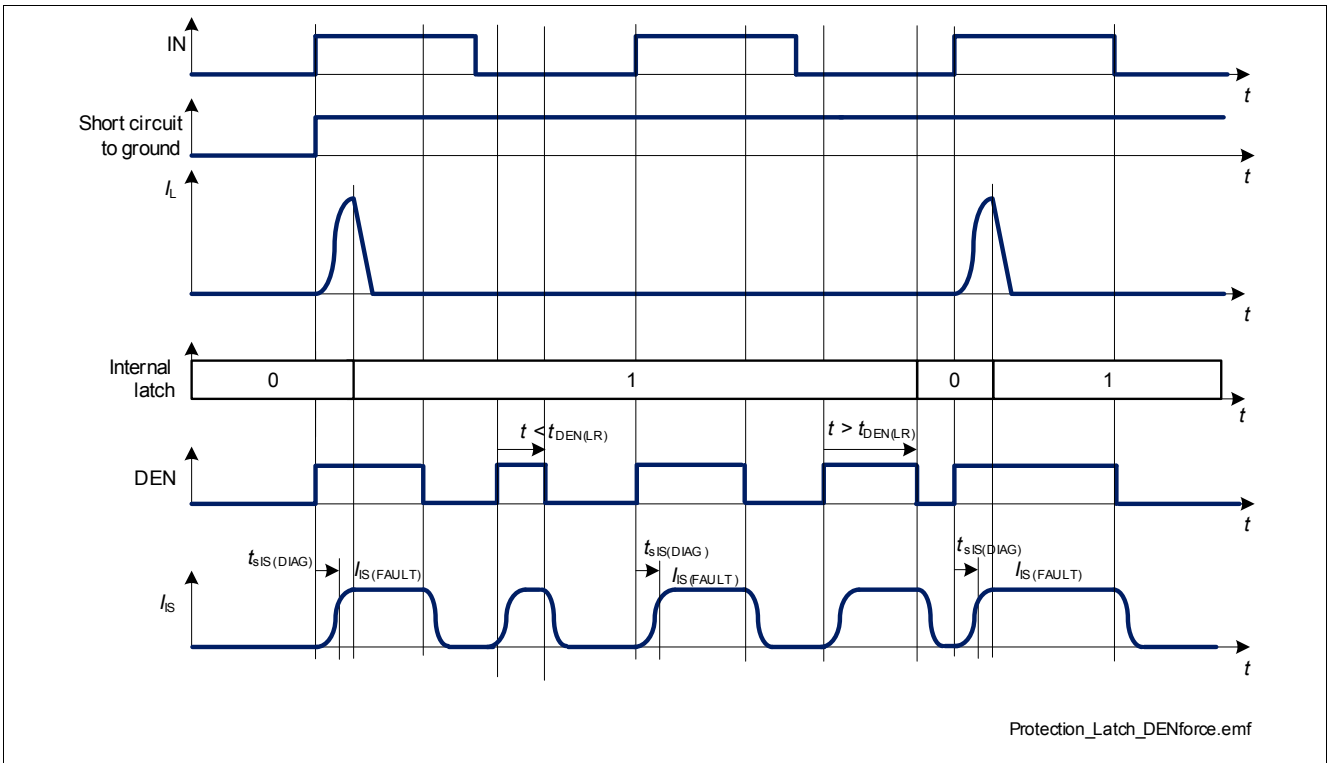


Figure 27 Intelligent Latch Timing Diagram with Forced Reset

Protection

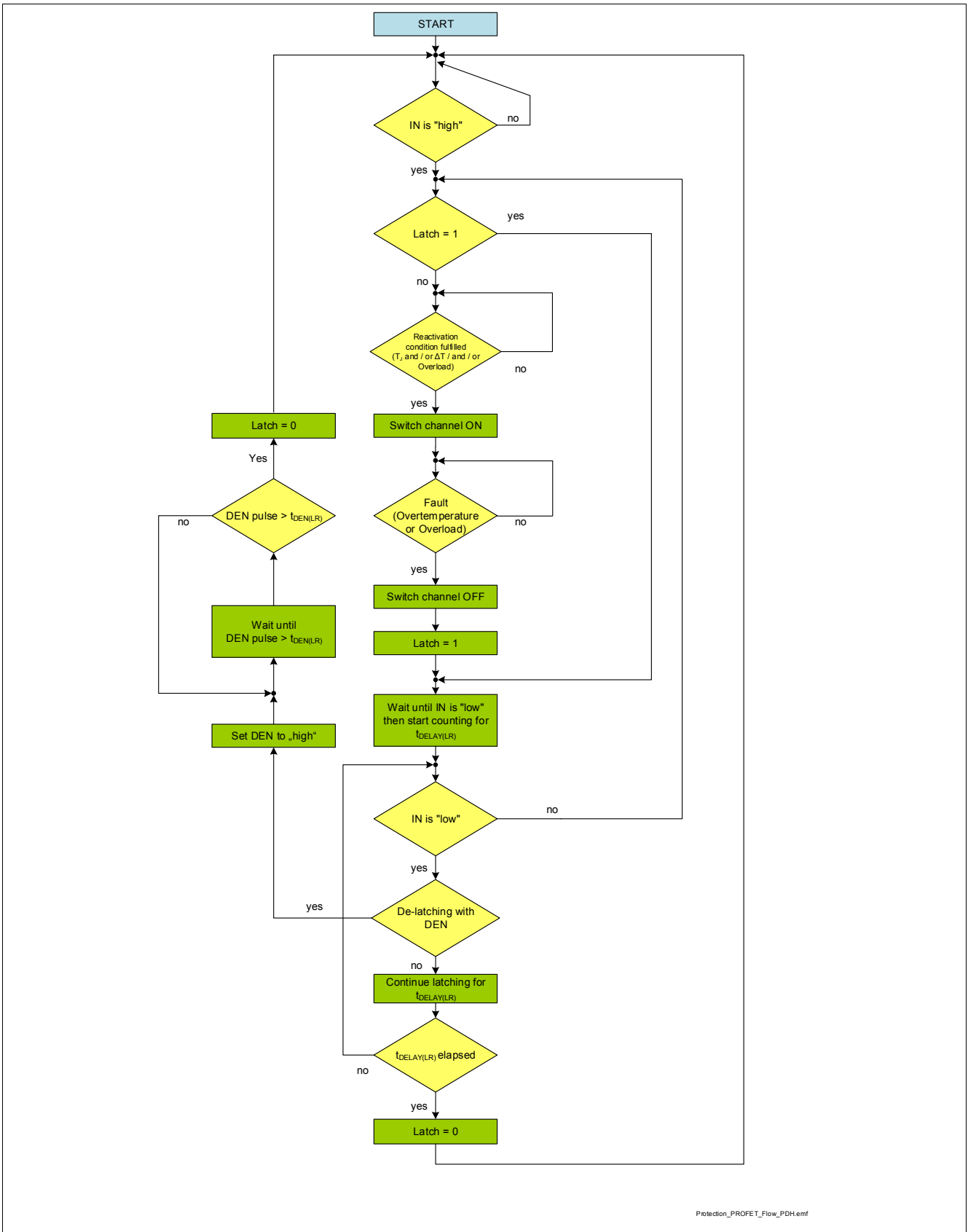


Figure 28 Intelligent Latch Flowchart

Protection

8.4 Additional protections

8.4.1 Reverse Polarity Protection

In Reverse Polarity condition (also known as Reverse Battery), the output stage is switched ON (see parameter $R_{DS(REV)}$) because of ReverseON feature which limits the power dissipation in the output stage. Each ESD diode of the logic contributes to total power dissipation. The reverse current through the output stage must be limited by the connected load. The current through digital input pins has to be limited as well by an external resistor (please refer to the Absolute Maximum Ratings listed in [Chapter 4.1](#) and to Application Information in [Chapter 10](#)).

Figure 29 shows a typical application including a device with ReverseON. A current flowing into GND pin ($-I_{GND}$) during Reverse Polarity condition is necessary to activate ReverseON, therefore a resistive path between module ground and device GND pin must be present.

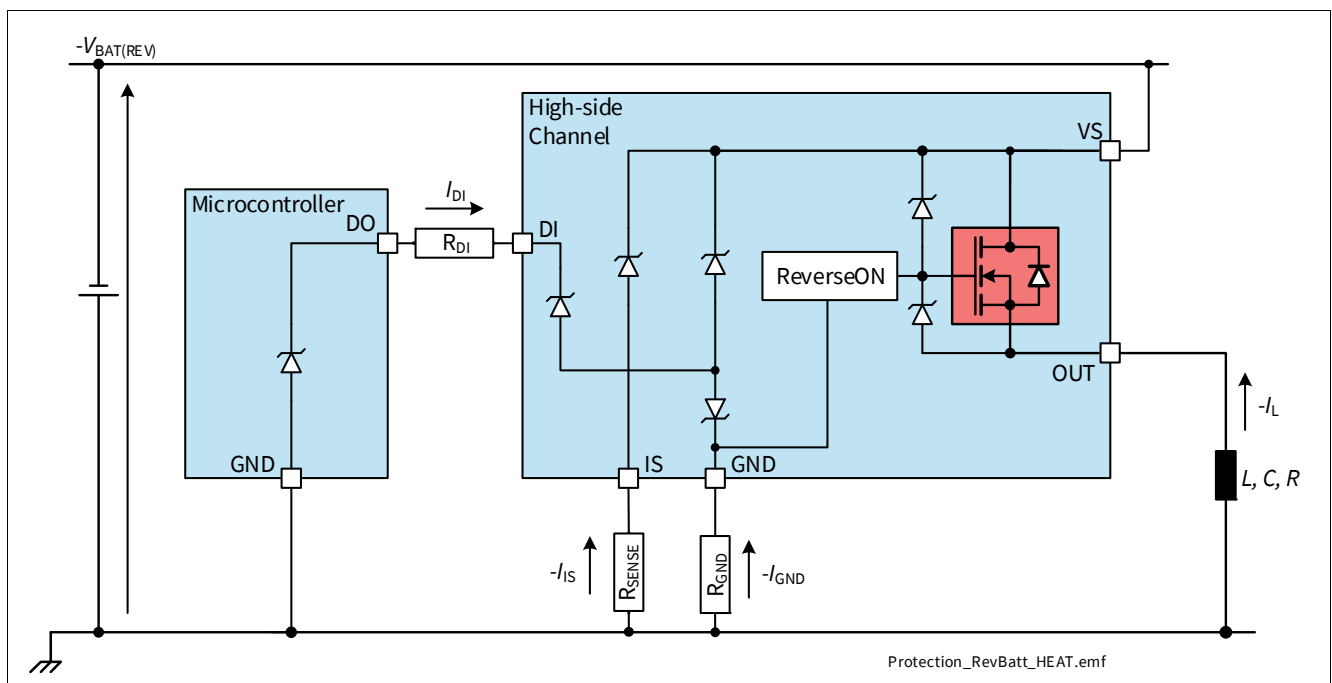


Figure 29 Reverse Battery Protection (application example)

8.4.2 Overvoltage Protection

In the case of supply voltages between $V_{S(EXT,UP)}$ and $V_{BAT(LD)}$, the output transistor is still operational and follows the input pin. In addition to the output clamp for inductive loads as described in [Chapter 7.2.2](#), there is a clamp mechanism available for Overvoltage protection for the logic circuit and the output channel, monitoring the voltage between VS and GND pins ($V_{S(CLAMP)}$).

Protection

8.5 Protection against loss of connection

8.5.1 Loss of Battery and Loss of Load

The loss of connection to battery or to the load has no influence on device robustness when load and wire harness are purely resistive. In case of driving an inductive load, the energy stored in the inductance must be handled. PROFET™+2 12V devices can handle the inductivity of the wire harness up to 10 μH with $I_{L(\text{NOM})}$. In case of applications where currents and/or the aforementioned inductivity are exceeded, an external suppressor diode (like diode D_{Z2} shown in [Chapter 10](#)) is recommended to handle the energy and to provide a well-defined path to the load current.

8.5.2 Loss of Ground

In case of loss of device ground, it is recommended to have a resistor connected between any Digital Input pin and the microcontroller to ensure a channel switch OFF (as described in [Chapter 10](#)).

Note: In case any Digital Input pin is pulled to ground (either by a resistor or active) a parasitic ground path is available, which could keep the device operational during loss of device ground.

Protection

8.6 Electrical Characteristics Protection

$V_S = 6\text{ V to }18\text{ V}$, $T_J = -40\text{ °C to }+150\text{ °C}$; $T_J = +150\text{ °C to }+175\text{ °C}$ not subject to production test - specified by design
Typical values: $V_S = 13.5\text{ V}$, $T_J = 25\text{ °C}$

Typical resistive load connected to the output for testing (unless otherwise specified):

$$R_L = 2.1\ \Omega$$

Table 15 Electrical Characteristics: Protection - General

Parameter	Symbol	Values			Unit	Note or Test Condition	Number
		Min.	Typ.	Max.			
Thermal Shutdown Temperature (Absolute)	$T_{J(ABS)}$	175	190	205	°C	1)2) See Figure 21	P_8.6.0.10
Thermal Shutdown Hysteresis (Absolute)	$T_{HYS(ABS)}$	–	30	–	K	3) See Figure 21	P_8.6.0.2
Thermal Shutdown Temperature (Dynamic)	$T_{J(DYN)}$	–	80	–	K	3) See Figure 22	P_8.6.0.3
Power Supply Clamping Voltage at $T_J = -40\text{ °C}$	$V_{S(CLAMP)_{-40}}$	33	36.5	42	V	$I_{VS} = 5\text{ mA}$ $T_J = -40\text{ °C}$ See Figure 16	P_8.6.0.6
Power Supply Clamping Voltage at $T_J \geq 25\text{ °C}$	$V_{S(CLAMP)_{25}}$	35	38	44	V	2) $I_{VS} = 5\text{ mA}$ $T_J \geq 25\text{ °C}$ See Figure 16	P_8.6.0.7
Power Supply Voltage Threshold for Overcurrent Threshold Reduction in case of Short Circuit	$V_{S(JS)}$	20.5	22.5	24.5	V	3) Setup acc. to AEC-Q100-012	P_8.6.0.8

1) Functional test only.

2) Tested at $T_J = 150\text{ °C}$ only.

3) Not subject to production test - specified by design.

8.6.1 Electrical Characteristics Protection

Table 16 Electrical Characteristics: Protection

Parameter	Symbol	Values			Unit	Note or Test Condition	Number
		Min.	Typ.	Max.			
Latch Reset Delay Time after Fault Condition	$t_{DELAY(LR)}$	40	70	100	ms	1)	P_8.6.4.1
Minimum DEN Pulse Duration for Latch Reset	$t_{DEN(LR)}$	50	100	150	µs	2)	P_8.6.4.2

1) Functional test only.

2) Not subject to production test - specified by design.

Protection

8.7 Electrical Characteristics Protection - Power Output Stages

$V_S = 6\text{ V to }18\text{ V}$, $T_J = -40\text{ °C to }+150\text{ °C}$; $T_J = +150\text{ °C to }+175\text{ °C}$ not subject to production test - specified by design

Typical values: $V_S = 13.5\text{ V}$, $T_J = 25\text{ °C}$

Typical resistive load connected to the output for testing (unless otherwise specified):

$R_L = 2.1\ \Omega$

8.7.1 Protection Power Output Stage - 6 mΩ

Table 17 Electrical Characteristics: Protection - 6 mΩ

Parameter	Symbol	Values			Unit	Note or Test Condition	Number
		Min.	Typ.	Max.			
Overload Detection Current at $T_J = -40\text{ °C}$	$I_{L(OVL0)_-40}$	81	91	110	A	1) $T_J = -40\text{ °C}$ $di/dt = 0.4\text{ A}/\mu\text{s}$ see Figure 23 and Figure 24	P_8.7.12.1
Overload Detection Current at $T_J = 25\text{ °C}$	$I_{L(OVL0)_25}$	78	89.5	110	A	2) $T_J = 25\text{ °C}$ $di/dt = 0.4\text{ A}/\mu\text{s}$ see Figure 23 and Figure 24	P_8.7.12.7
Overload Detection Current at $T_J = 150\text{ °C}$	$I_{L(OVL0)_150}$	66	77	95	A	2) $T_J = 150\text{ °C}$ $di/dt = 0.4\text{ A}/\mu\text{s}$ see Figure 23 and Figure 24	P_8.7.12.8
Overload Detection Current at $T_J = 175\text{ °C}$	$I_{L(OVL0)_175}$	64	72	82	A	2) $T_J = 175\text{ °C}$ $di/dt = 0.4\text{ A}/\mu\text{s}$ see Figure 23 and Figure 24	P_8.7.12.9
Overload Detection Current at High V_{DS}	$I_{L(OVL1)}$	–	57	–	A	2) $di/dt = 0.4\text{ A}/\mu\text{s}$ see Figure 23	P_8.7.12.5
Overload Detection Current Jump Start Condition	$I_{L(OVL_JS)}$	–	57	–	A	2) $V_S > V_{S(JS)}$ $di/dt = 0.4\text{ A}/\mu\text{s}$ see Figure 25	P_8.7.12.6

1) Functional test only.

2) Not subject to production test - specified by design.

Diagnosis

9 Diagnosis

For diagnosis purpose, the BTS7006-1EPZ provides a sense current signal (I_{IS}) at pin IS. In case of disabled diagnostic (DEN pin set to “low”), IS pin becomes high impedance.

A sense resistor R_{SENSE} must be connected between IS pin and module ground if the current sense diagnosis is used. R_{SENSE} value has to be higher than 820 Ω (or 400 Ω when a central Reverse Battery protection is present on the battery feed) to limit the power losses in the sense circuitry. A typical value is $R_{SENSE} = 1.2 \text{ k}\Omega$.

Due to the internal connection between IS pin and V_S supply voltage, it is not recommended to connect the IS pin to the sense current output of other devices, if they are supplied by a different battery feed.

See **Figure 30** for details as an overview.

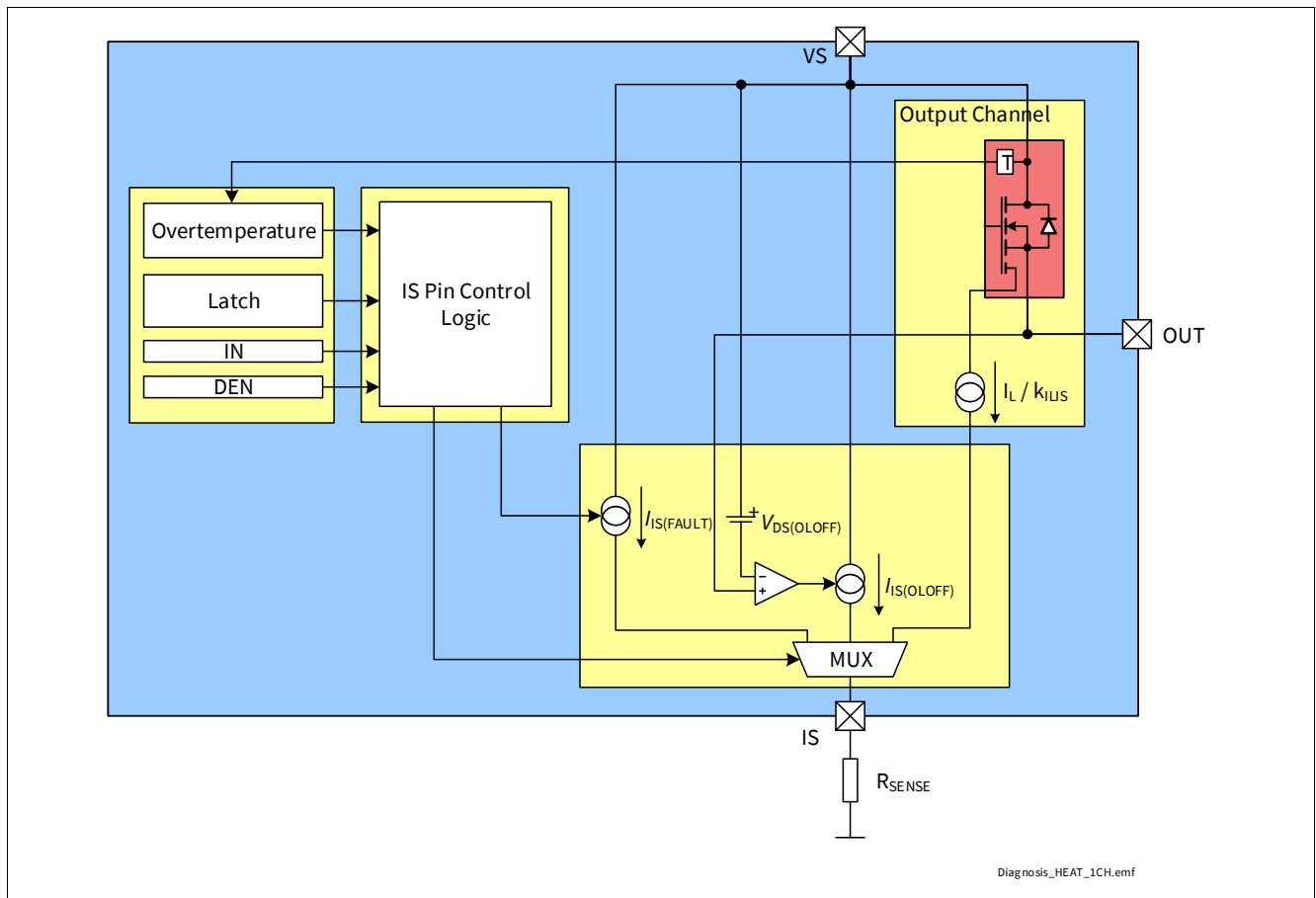


Figure 30 Diagnosis Block Diagram

Diagnosis

9.1 Overview

Table 18 gives a quick reference to the state of the IS pin during BTS7006-1EPZ operation.

Table 18 SENSE Signal, Function of Application Condition

Application Condition	Input level	DEN level	V _{OUT}	Diagnostic Output
Normal operation	"low"	"high"	~ GND	Z <i>I</i> _{IS(FAULT)} if latch ≠ 0
Short circuit to GND			~ GND	Z <i>I</i> _{IS(FAULT)} if latch ≠ 0
Overtemperature			Z	<i>I</i> _{IS(FAULT)}
Short circuit to V _S			V _S	<i>I</i> _{IS(OLOFF)} (<i>I</i> _{IS(FAULT)} if latch ≠ 0)
Open Load			< V _S - V _{DS(OLOFF)} > V _S - V _{DS(OLOFF)} ¹⁾	Z <i>I</i> _{IS(OLOFF)} (in both cases <i>I</i> _{IS(FAULT)} if latch ≠ 0)
Inverse current	"high"	"high"	V _{OUT} > V _S	<i>I</i> _{IS(OLOFF)} (<i>I</i> _{IS(FAULT)} if latch ≠ 0)
Normal operation			~ V _S	<i>I</i> _{IS} = <i>I</i> _L / <i>k</i> _{ILIS}
Overload			< V _S	<i>I</i> _{IS(FAULT)}
Short circuit to GND			~ GND	<i>I</i> _{IS(FAULT)}
Overtemperature			Z	<i>I</i> _{IS(FAULT)}
Short circuit to V _S			V _S	<i>I</i> _{IS} < <i>I</i> _L / <i>k</i> _{ILIS}
Open Load			~ V _S ²⁾	<i>I</i> _{IS} = <i>I</i> _{IS(EN)}
Under load (e.g. Output Voltage Limitation condition)			~ V _S ³⁾	<i>I</i> _{IS(EN)} < <i>I</i> _{IS} < <i>I</i> _{L(NOM)} / <i>k</i> _{ILIS}
Inverse current			V _{OUT} > V _S	<i>I</i> _{IS} = <i>I</i> _{IS(EN)}
All conditions			n.a.	"low"

- 1) With additional pull-up resistor.
- 2) The output current has to be smaller than *I*_{L(OL)}.
- 3) The output current has to be higher than *I*_{L(OL)}.

9.2 Diagnosis in ON state

A current proportional to the load current (ratio *k*_{ILIS} = *I*_L / *I*_{IS}) is provided at pin IS when the following conditions are fulfilled:

- The power output stage is switched ON with V_{DS} < V_{DS(OLOFF)}
- The diagnosis is enabled
- No fault (as described in **Chapter 8.3**) is present or was present and not cleared yet (see **Chapter 9.2.2** for further details)

If a "hard" failure mode is present or was present and not cleared yet a current *I*_{IS(FAULT)} is provided at IS pin.

Diagnosis

9.2.1 Current Sense (k_{ILIS})

The accuracy of the sense current depends on temperature and load current. I_{IS} increases linearly with I_L output current until it reaches the saturation current $I_{IS(SAT)}$. In case of Open Load at the output stage (I_L close to 0 A), the maximum sense current $I_{IS(EN)}$ (no load, diagnosis enabled) is specified. This condition is shown in **Figure 32**. The blue line represents the ideal k_{ILIS} line, while the red lines show the behavior of a typical product.

An external RC filter between IS pin and microcontroller ADC input pin is recommended to reduce signal ripple and oscillations (a minimum time constant of 1 μ s for the RC filter is recommended).

The k_{ILIS} factor is specified with limits that take into account effects due to temperature, supply voltage and manufacturing process. Tighter limits are possible (within a defined current window) with calibration:

- A well-defined and precise current ($I_{L(CAL)}$) is applied at the output during End of Line test at customer side
- The corresponding current at IS pin is measured and the k_{ILIS} is calculated ($k_{ILIS} @ I_{L(CAL)}$)
- Within the current range going from $I_{L(CAL)_L}$ to $I_{L(CAL)_H}$ the k_{ILIS} is equal to $k_{ILIS} @ I_{L(CAL)}$ with limits defined by Δk_{ILIS}

The derating of k_{ILIS} after calibration is calculated using the formulas in **Figure 31** and it is specified by Δk_{ILIS}

$$\Delta k_{ILIS,MAX} = 100 \cdot MAX \left(\frac{k_{ILIS}@I_{L(CAL)_L}}{k_{ILIS}@I_{L(CAL)}} - 1, \frac{k_{ILIS}@I_{L(CAL)_H}}{k_{ILIS}@I_{L(CAL)}} - 1 \right)$$

$$\Delta k_{ILIS,MIN} = 100 \cdot MIN \left(\frac{k_{ILIS}@I_{L(CAL)_L}}{k_{ILIS}@I_{L(CAL)}} - 1, \frac{k_{ILIS}@I_{L(CAL)_H}}{k_{ILIS}@I_{L(CAL)}} - 1 \right)$$

Figure 31 Δk_{ILIS} calculation formulas

The calibration is intended to be performed at $T_{A(CAL)} = 25^\circ\text{C}$. The parameter Δk_{ILIS} includes the drift overtemperature as well as the drift over the current range from $I_{L(CAL)_L}$ to $I_{L(CAL)_H}$.

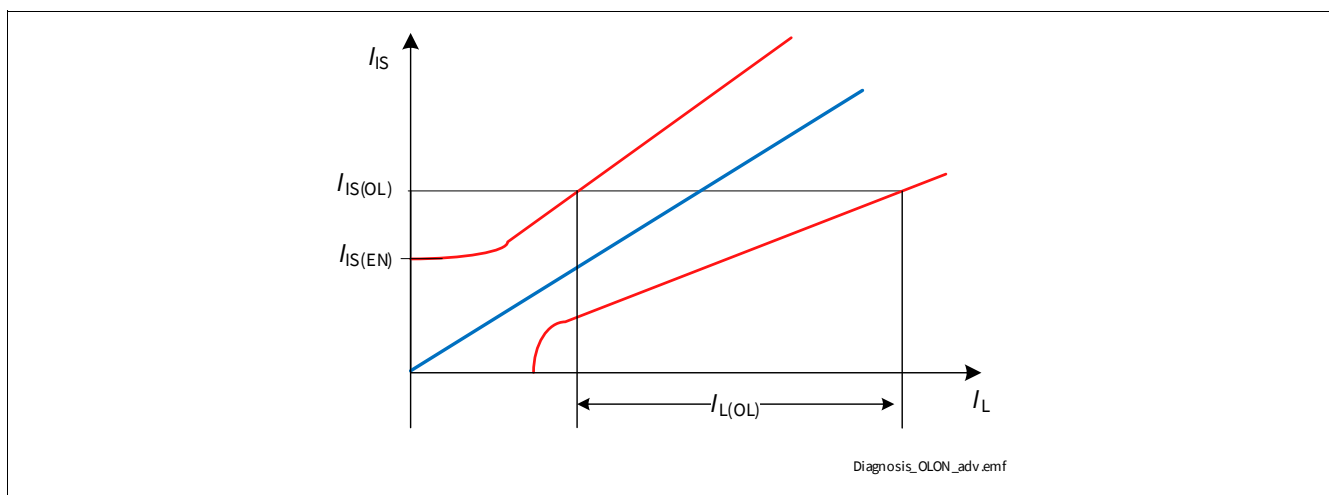


Figure 32 Current Sense Ratio in Open Load at ON condition

9.2.2 Fault Current ($I_{IS(FAULT)}$)

As soon as a protection event occurs, the value of the internal latch (see **Chapter 8.3** for more details) is changed from 0 to 1, a current $I_{IS(FAULT)}$ is provided by pin IS when DEN is set to “high” and the affected device is switched OFF.

Diagnosis

If internal latch is 1, and it is not reset, the current $I_{IS(FAULT)}$ is provided each time the device diagnosis is activated by DEN=High.

Figure 33 shows the relation between $I_{IS} = I_L / k_{ILIS}$, $I_{IS(SAT)}$ and $I_{IS(FAULT)}$.

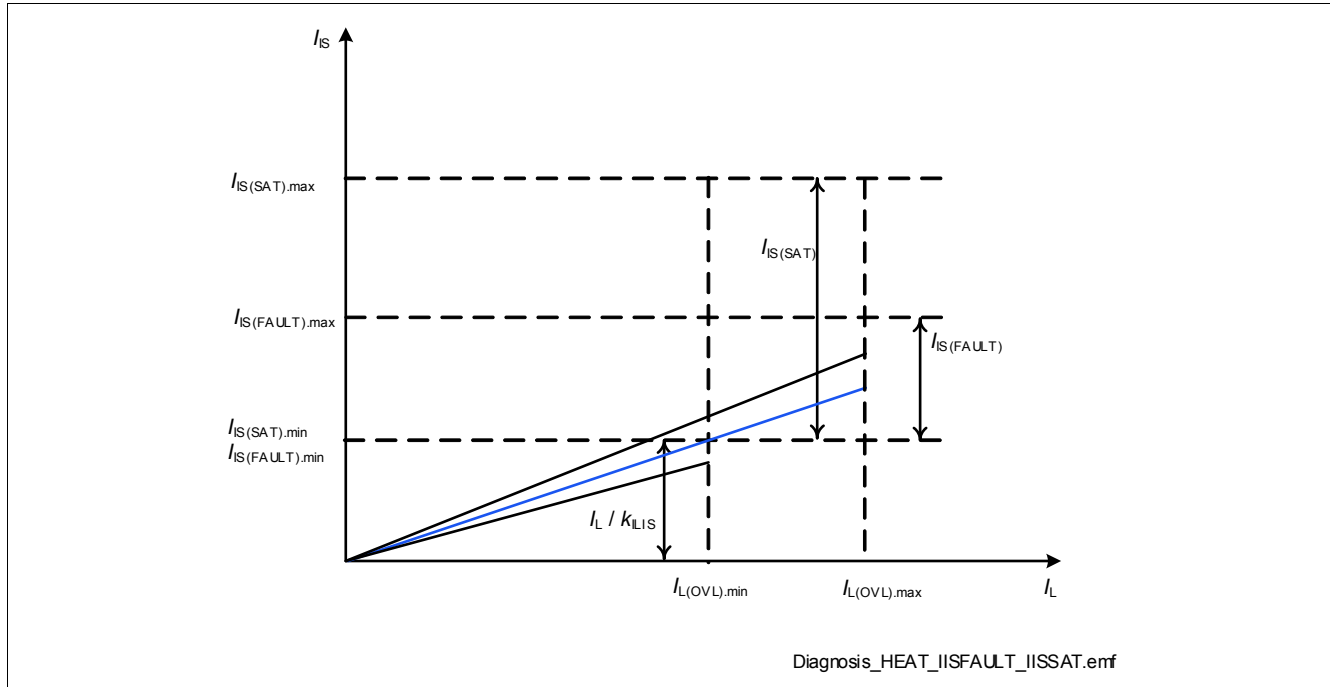


Figure 33 SENSE behavior - overview

9.3 Diagnosis in OFF state

When a power output stage is in OFF state, the BTS7006-1EPZ can measure the drain-source voltage and compare it with a threshold voltage. In this way, using some additional external components (a pull-down resistor and a switchable pull-up current source), it is possible to detect if the load is missing or if there is a short circuit to battery. If a Fault condition was detected by the device (if internal latch is 1, fault current is provided by IS pin independent of drain-source or output voltage, as long as DEN=High) a current $I_{IS(FAULT)}$ is provided by IS pin each time the channel diagnosis is checked also in OFF state. See **Chapter 9.2.2** for further details.

9.3.1 Open Load current ($I_{IS(OLOFF)}$)

In OFF state, when DEN pin is set to “high”, the V_{DS} voltage is compared with a threshold voltage $V_{DS(OLOFF)}$. If the load is properly connected and there is no short circuit to battery, $V_{DS} \sim V_S$ therefore $V_{DS} > V_{DS(OLOFF)}$. When the diagnosis is active and $V_{DS} \leq V_{DS(OLOFF)}$, a current $I_{IS(OLOFF)}$ is provided by IS pin. **Figure 34** shows the relationship between $I_{IS(OLOFF)}$ and $I_{IS(FAULT)}$ as functions of V_{DS} . The two currents do not overlap making it always possible to differentiate between Open Load in OFF and Fault condition.

Diagnosis

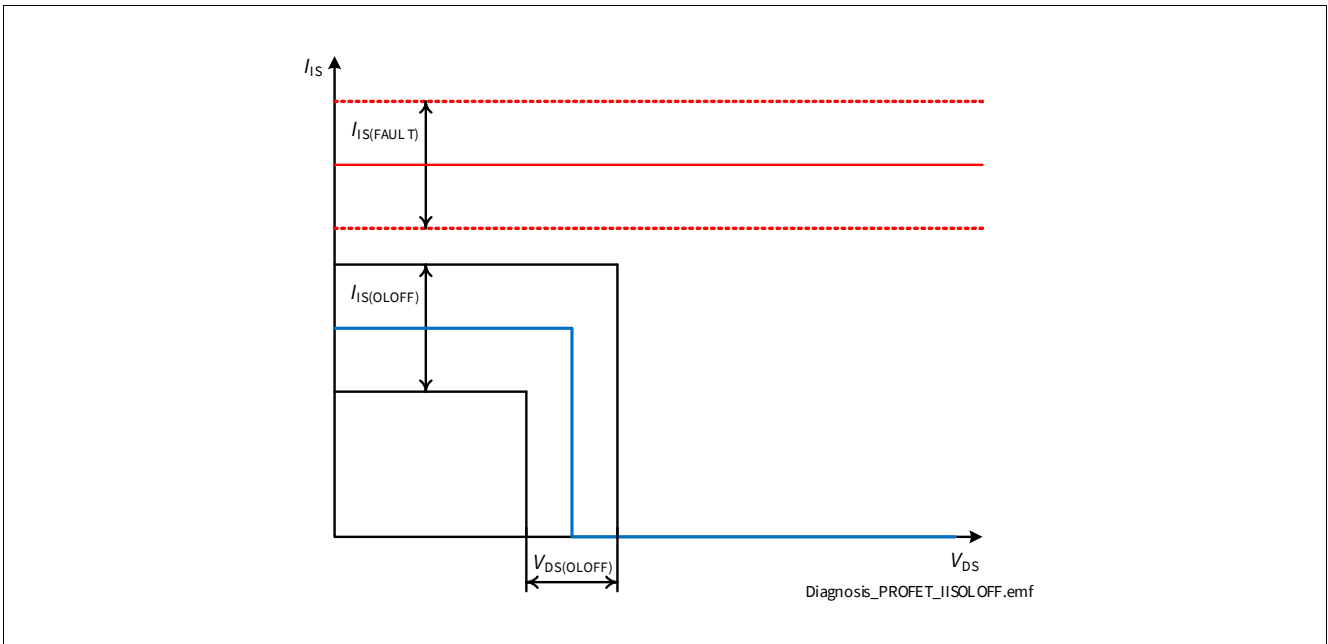


Figure 34 I_{IS} in OFF State

It is necessary to wait a time $t_{IS(OLOFF)_D}$ between the falling edge of the input pin and the sensing at pin IS for Open Load in OFF diagnosis to allow the internal comparator to settle. In **Figure 35** the timings for an Open Load detection are shown - the load is always disconnected.

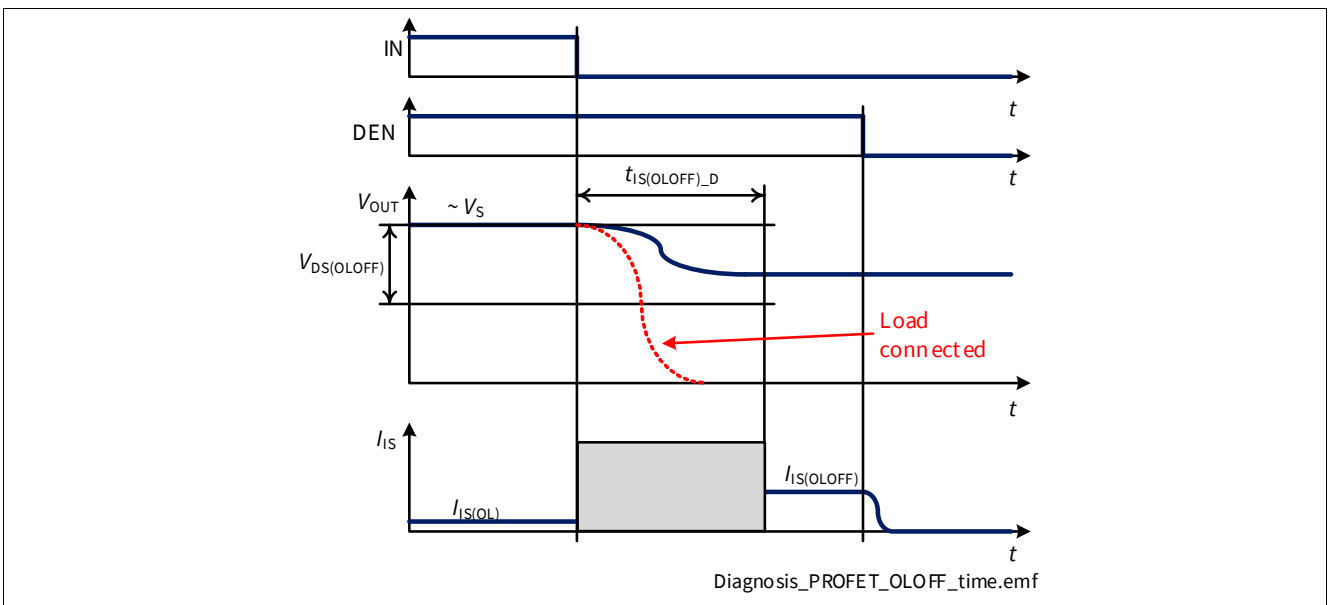


Figure 35 Open Load in OFF Timings - load disconnected

Diagnosis

9.4 SENSE Timings

Figure 36 shows the timing during settling $t_{sIS(ON)}$ and disabling $t_{sIS(OFF)}$ of the SENSE (including the case of load change). As a proper signal cannot be established before the load current is stable (therefore before t_{ON}), $t_{sIS(DIAG)} \leq 3 \times (t_{ON_max} + t_{sIS(ON)_max})$.

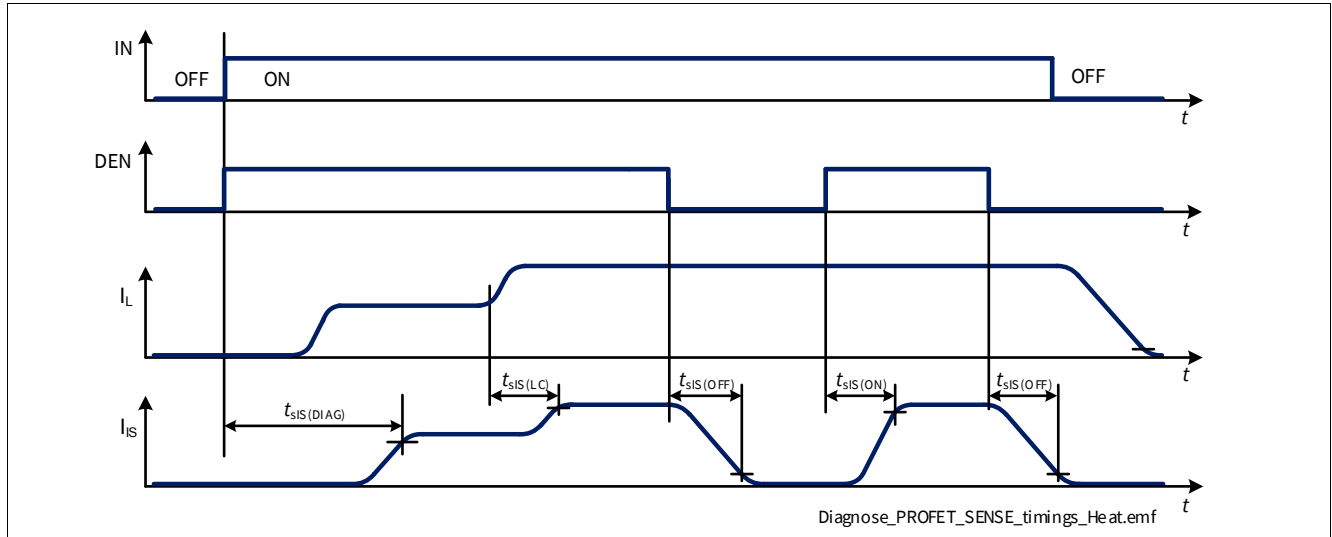


Figure 36 SENSE Settling / Disabling Timing

Diagnosis

9.5 Electrical Characteristics Diagnosis

$V_S = 6\text{ V to }18\text{ V}$, $T_J = -40\text{ °C to }+150\text{ °C}$; $T_J = +150\text{ °C to }+175\text{ °C}$ not subject to production test - specified by design

Typical values: $V_S = 13.5\text{ V}$, $T_J = 25\text{ °C}$

Typical resistive load connected to the output for testing (unless otherwise specified):

$R_L = 2.1\ \Omega$

Table 19 Electrical Characteristics: Diagnosis - General

Parameter	Symbol	Values			Unit	Note or Test Condition	Number
		Min.	Typ.	Max.			
SENSE Saturation Current	$I_{IS(SAT)}$	4.4	–	15	mA	1) $V_{SIS} = V_S - V_{IS} \geq 2\text{ V}$ See Figure 33	P_9.6.0.1
SENSE Leakage Current when Disabled	$I_{IS(OFF)}$	–	0.01	0.5	μA	DEN = “low” $V_{IS} = 0\text{ V}$ $-40\text{ °C} < T_J \leq 150\text{ °C}$	P_9.6.0.2
SENSE Leakage Current when Disabled	$I_{IS(OFF)_175}$	–	0.08	3	μA	1) DEN = “low” $I_L \geq I_{L(NOM)}$ $V_{IS} = 0\text{ V}$ $150\text{ °C} < T_J \leq 175\text{ °C}$	P_9.6.0.18
SENSE Leakage Current when Enabled at $T_J \leq 85\text{ °C}$	$I_{IS(EN)_85}$	–	0.2	1	μA	1) $T_J \leq 85\text{ °C}$ DEN = “high” $I_L = 0\text{ A}$ See Figure 32	P_9.6.0.3
SENSE Leakage Current when Enabled at $T_J = 150\text{ °C}$	$I_{IS(EN)_150}$	–	0.2	1	μA	$T_J = 150\text{ °C}$ DEN = “high” $I_L = 0\text{ A}$ See Figure 32	P_9.6.0.4
SENSE Leakage Current when Enabled at $T_J = 175\text{ °C}$	$I_{IS(EN)_175}$	–	0.2	1	μA	1) $T_J = 175\text{ °C}$ DEN = “high” $I_L = 0\text{ A}$ See Figure 32	P_9.6.0.19
SENSE Operative Range for k_{ILIS} Operation ($V_S - V_{IS}$)	V_{SIS_k}	–	0.5	1	V	1) $V_S = 6\text{ V}$ IN = DEN = “high” $I_L \leq 2 * I_{L(NOM)}$	P_9.6.0.6
SENSE Operative Range for Open Load at OFF Diagnosis ($V_S - V_{IS}$)	V_{SIS_OL}	–	0.5	1	V	1) $V_S = 6\text{ V}$ IN = “low” DEN = “high”	P_9.6.0.7

Diagnosis

Table 19 Electrical Characteristics: Diagnosis - General (continued)

Parameter	Symbol	Values			Unit	Note or Test Condition	Number
		Min.	Typ.	Max.			
SENSE Operative Range for Fault Diagnosis ($V_S - V_{IS}$)	V_{SIS_F}	–	0.5	1	V	1) $V_S = 6\text{ V}$ IN = “low” DEN = “high” latch $\neq 0$ $-40\text{ °C} < T_J \leq 150\text{ °C}$	P_9.6.0.8
SENSE Operative Range for Fault Diagnosis ($V_S - V_{IS}$)	$V_{SIS_F_175}$	–	0.6	1.2	V	1) $V_S = 6\text{ V}$ IN = “low” DEN = “high” counter > 0 $150\text{ °C} < T_J \leq 175\text{ °C}$	P_9.6.0.20
Power Supply to IS Pin Clamping Voltage at $T_J = -40\text{ °C}$	$V_{SIS(CLAMP)_40}$	33	36.5	42	V	$I_{IS} = 1\text{ mA}$ $T_J = -40\text{ °C}$ See Figure 16	P_9.6.0.9
Power Supply to IS Pin Clamping Voltage at $T_J \geq 25\text{ °C}$	$V_{SIS(CLAMP)_25}$	35	38	44	V	2) $I_{IS} = 1\text{ mA}$ $T_J \geq 25\text{ °C}$ See Figure 16	P_9.6.0.10

1) Not subject to production test - specified by design.

2) Tested at $T_J = 150\text{ °C}$.

9.5.1 Electrical Characteristics Diagnosis

Table 20 Electrical Characteristics: Diagnosis

Parameter	Symbol	Values			Unit	Note or Test Condition	Number
		Min.	Typ.	Max.			
SENSE Fault Current	$I_{IS(FAULT)}$	4.4	5.5	10	mA	–	P_9.6.4.1
SENSE Open Load in OFF Current	$I_{IS(OLOFF)}$	1.8	2.5	3.5	mA	–	P_9.6.4.2
SENSE Open Load in OFF Delay Time	$t_{IS(OLOFF)_D}$	70	185	300	μs	$V_{DS} < V_{OL(OFF)}$ from IN falling edge to $V_{IS} = R_{SENSE} * 0.9 * I_{IS(OLOFF),MIN}$ DEN = “high”	P_9.6.4.4
Open Load V_{DS} Detection Threshold in OFF State	$V_{DS(OLOFF)}$	1.3	1.8	2.3	V	–	P_9.6.4.5
SENSE Settling Time with Nominal Load Current Stable	$t_{SIS(ON)}$	–	5	40	μs	$I_L = I_{L(NOM)}$ DEN from “low” to “high”	P_9.6.4.6

Diagnosis

Table 20 Electrical Characteristics: Diagnosis (continued)

Parameter	Symbol	Values			Unit	Note or Test Condition	Number
		Min.	Typ.	Max.			
SENSE Disable Time	$t_{sIS(OFF)}$	–	5	20	μs	1) From DEN falling edge to $I_{IS} = I_{IS(OFF)}$ See Figure 36	P_9.6.4.8
SENSE Settling Time after Load Change	$t_{sIS(LC)}$	–	5	20	μs	1) from $I_L = I_{L17}$ to $I_L = I_{L18}$ See Figure 36	P_9.6.4.13

1) Not subject to production test - specified by design.

9.6 Electrical Characteristics Diagnosis - Power Output Stages

$V_S = 6\text{ V to }18\text{ V}$, $T_J = -40\text{ °C to }+150\text{ °C}$; $T_J = +150\text{ °C to }+175\text{ °C}$ not subject to production test - specified by design
Typical values: $V_S = 13.5\text{ V}$, $T_J = 25\text{ °C}$

Typical resistive load connected to the output for testing (unless otherwise specified):

$R_L = 2.1\ \Omega$

9.6.1 Diagnosis Power Output Stage - 6 m Ω

Table 21 Electrical Characteristics: Diagnosis - 6 m Ω

Parameter	Symbol	Values			Unit	Note or Test Condition	Number
		Min.	Typ.	Max.			
Open Load Output Current at $I_{IS} = 4\ \mu\text{A}$	$I_{L(OL)4u}$	25	71	117	mA	$I_{IS} = I_{IS(OL)} = 4\ \mu\text{A}$ see Figure 32	P_9.7.12.1
Current Sense Ratio at $I_L = I_{L04}$	k_{ILIS04}	-65%	17700	+65%		$I_{L04} = 50\text{ mA}$	P_9.7.12.8
Current Sense Ratio at $I_L = I_{L06}$	k_{ILIS06}	-65%	17700	+65%		$I_{L06} = 150\text{ mA}$	P_9.7.12.10
Current Sense Ratio at $I_L = I_{L09}$	k_{ILIS09}	-55%	17700	+55%		$I_{L09} = 450\text{ mA}$	P_9.7.12.13
Current Sense Ratio at $I_L = I_{L12}$	k_{ILIS12}	-40%	17700	+40%		$I_{L12} = 1.5\text{ A}$	P_9.7.12.16
Current Sense Ratio at $I_L = I_{L15}$	k_{ILIS15}	-24%	17700	+24%		$I_{L15} = 4\text{ A}$	P_9.7.12.19
Current Sense Ratio at $I_L = I_{L17}$	k_{ILIS17}	-8%	17700	+8%		$I_{L17} = 7\text{ A}$	P_9.7.12.21
Current Sense Ratio at $I_L = I_{L18}$	k_{ILIS18}	-8%	17700	+8%		$I_{L18} = 10\text{ A}$	P_9.7.12.22

Diagnosis

Table 21 Electrical Characteristics: Diagnosis - 6 mΩ (continued)

Parameter	Symbol	Values			Unit	Note or Test Condition	Number
		Min.	Typ.	Max.			
SENSE Current Derating with Low Current Calibration	$\Delta k_{ILIS(OL)}$	-30	0	+30	%	1) $I_{L(CAL)} = I_{L06}$ $I_{L(CAL)_H} = I_{L09}$ $I_{L(CAL)_L} = I_{L04}$ $T_{A(CAL)} = 25\text{ °C}$	P_9.7.12.27
SENSE Current Derating with Nominal Current Calibration	$\Delta k_{ILIS(NOM)}$	-4	0	+4	%	1) $I_{L(CAL)} = I_{L17}$ $I_{L(CAL)_H} = I_{L18}$ $I_{L(CAL)_L} = I_{L15}$ $T_{A(CAL)} = 25\text{ °C}$	P_9.7.12.29

1) Not subject to production test - specified by design.

Application Information

10.2 External Components

Table 22 Suggested Component values

Reference	Value	Purpose
R_{IN}	4.7 k Ω	Protection of the microcontroller during Overvoltage and Reverse Polarity Necessary to switch OFF BTS7006-1EPZ output during Loss of Ground
R_{DEN}	4.7 k Ω	Protection of the microcontroller during Overvoltage and Reverse Polarity Necessary to switch OFF BTS7006-1EPZ output during Loss of Ground
R_{PD}	47 k Ω	Output polarization (pull-down) Ensures polarization of BTS7006-1EPZ outputs to distinguish between Open Load and Short to V_S in OFF Diagnosis
R_{OL}	1.5 k Ω	Output polarization (pull-up) Ensures polarization of BTS7006-1EPZ output during Open Load in OFF diagnosis
C_{OUT}	10 nF	Protection of BTS7006-1EPZ output during ESD events and BCI
T_1	BC 807	Switch the battery voltage for Open Load in OFF diagnosis
C_{VS}	100 nF	Filtering of voltage spikes on the battery line
C_{VSGND}	47 nF	Buffer capacitor for fast transient See Table 5 (P_4.3.0.7) for the boundary conditions A placeholder on PCB layout is recommended
D_{Z2}	33 V TVS Diode	Transient Voltage Suppressor diode Protection during Overvoltage and in case of Loss of Battery while driving an inductive load
C_{VS2}	–	Filtering / buffer capacitor located at V_{BAT} connector
R_{SENSE}	1.2 k Ω	SENSE resistor
R_{IS_PROT}	4.7 k Ω	Protection during Overvoltage, Reverse Polarity, Loss of Ground Value to be tuned according to microcontroller specifications
D_{Z1}	7 V Z-Diode	Protection of microcontroller during Overvoltage
R_{ADC}	4.7 k Ω	Protection of microcontroller ADC input during Overvoltage, Reverse Polarity, Loss of Ground Value to be tuned according to microcontroller specifications
C_{SENSE}	220 pF	Sense signal filtering A time constant $(R_{ADC} + R_{IS_PROT}) * C_{SENSE}$ longer than 1 μ s is recommended
R_{GND}	47 Ω	Protection in case of Overvoltage and Loss of Battery while driving inductive loads

10.3 Further Application Information

- Please contact us for information regarding the Pin FMEA
- For further information you may contact <http://www.infineon.com/>

Package Outlines

11 Package Outlines

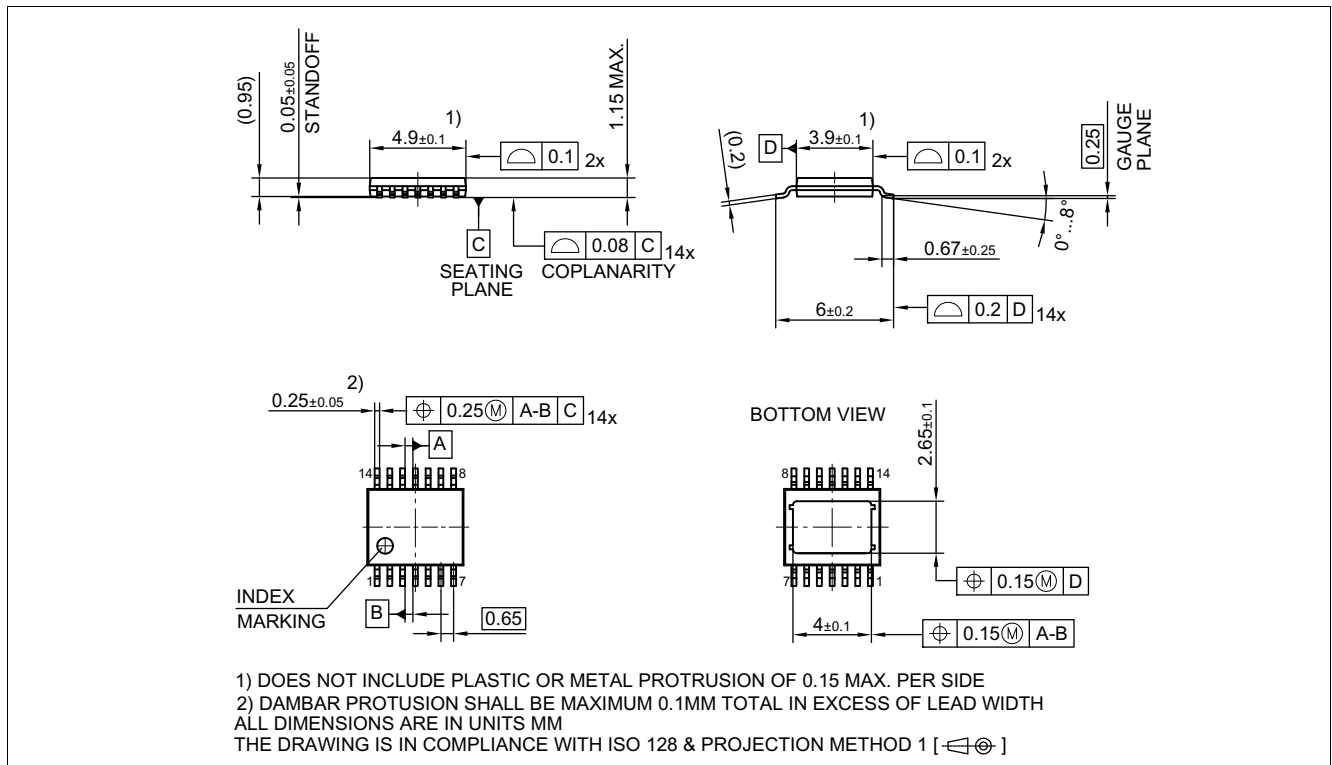


Figure 38 PG-TSDSO-14 (Thin (Slim) Dual Small Outline 14 pins) Package Outline

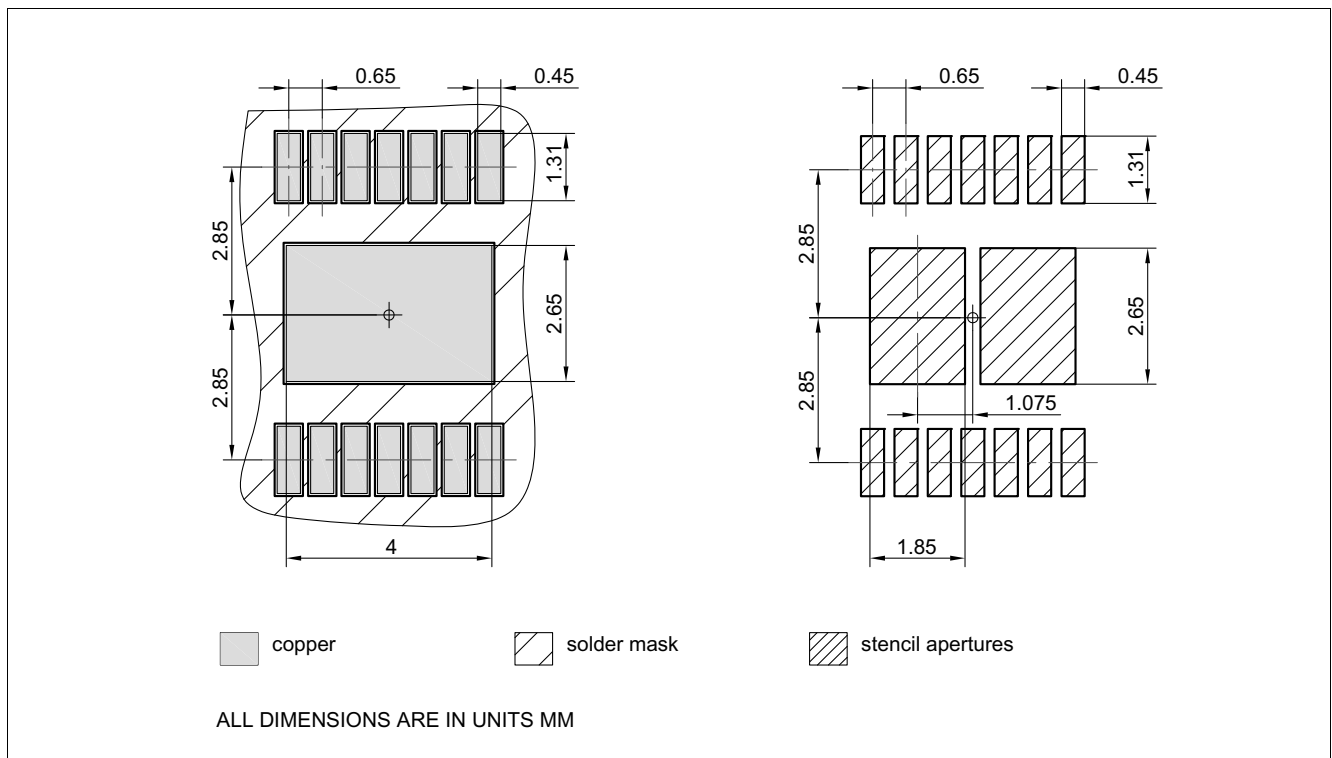


Figure 39 PG-TSDSO-14 (Thin (Slim) Dual Small Outline 14 pins) Package pads and stencil

Package Outlines

Green product (RoHS compliant)

To meet the world-wide customer requirements for environmentally friendly products and to be compliant with government regulations the device is available as a green product. Green products are RoHS-Compliant (i.e Pb-free finish on leads and suitable for Pb-free soldering according to IPC/JEDEC J-STD-020).

Further information on packages

<https://www.infineon.com/packages>

Revision History

12 Revision History

Table 23 **BTS7006-1EPZ - List of changes**

Revision	Changes
1.00 , 2019-10-15	Data Sheet available

Table of Contents

Table of Contents

1	Overview	1
2	Block Diagram and Terms	3
2.1	Block Diagram	3
2.2	Terms	4
3	Pin Configuration	5
3.1	Pin Assignment	5
3.2	Pin Definitions and Functions	6
4	General Product Characteristics	7
4.1	Absolute Maximum Ratings - General	7
4.2	Absolute Maximum Ratings - Power Stages	8
4.2.1	Power Stage - 6 mΩ	8
4.3	Functional Range	9
4.4	Thermal Resistance	10
4.4.1	PCB Setup	11
4.4.2	Thermal Impedance	12
5	Logic Pins	13
5.1	Input Pin (IN)	13
5.2	Diagnosis Pin	14
5.3	Electrical Characteristics Logic Pins	14
6	Power Supply	15
6.1	Operation Modes	15
6.1.1	OFF mode	16
6.1.2	ON mode	16
6.1.3	OFF_Diag mode	16
6.1.4	ON_Diag mode	16
6.1.5	Fault mode	16
6.2	Undervoltage on V_S	16
6.3	Electrical Characteristics Power Supply	18
6.4	Electrical Characteristics Power Supply - Product Specific	19
6.4.1	BTS7006-1EPZ	19
7	Power Stages	20
7.1	Output ON-State Resistance	20
7.2	Switching loads	20
7.2.1	Switching Resistive Loads	20
7.2.2	Switching Inductive Loads	21
7.2.3	Output Voltage Limitation	22
7.3	Advanced Switching Characteristics	22
7.3.1	Inverse Current behavior	22
7.3.2	Cross Current robustness with H-Bridge configuration	24
7.4	Electrical Characteristics Power Stages	25
7.4.1	Electrical Characteristics Power Stages	25
7.5	Electrical Characteristics - Power Output Stages	26
7.5.1	Power Output Stage - 6 mΩ	26

Table of Contents

8	Protection	29
8.1	Overtemperature Protection	29
8.2	Overload Protection	30
8.3	Protection and Diagnosis in case of Fault	32
8.3.1	Intelligent Latch Strategy	32
8.4	Additional protections	36
8.4.1	Reverse Polarity Protection	36
8.4.2	Overvoltage Protection	36
8.5	Protection against loss of connection	37
8.5.1	Loss of Battery and Loss of Load	37
8.5.2	Loss of Ground	37
8.6	Electrical Characteristics Protection	38
8.6.1	Electrical Characteristics Protection	38
8.7	Electrical Characteristics Protection - Power Output Stages	39
8.7.1	Protection Power Output Stage - 6 mΩ	39
9	Diagnosis	40
9.1	Overview	41
9.2	Diagnosis in ON state	41
9.2.1	Current Sense (k_{ILIS})	42
9.2.2	Fault Current ($I_{IS(FAULT)}$)	42
9.3	Diagnosis in OFF state	43
9.3.1	Open Load current ($I_{IS(OLOFF)}$)	43
9.4	SENSE Timings	45
9.5	Electrical Characteristics Diagnosis	46
9.5.1	Electrical Characteristics Diagnosis	47
9.6	Electrical Characteristics Diagnosis - Power Output Stages	48
9.6.1	Diagnosis Power Output Stage - 6 mΩ	48
10	Application Information	50
10.1	Application setup	50
10.2	External Components	51
10.3	Further Application Information	51
11	Package Outlines	52
12	Revision History	54
	Table of Contents	55

Trademarks

All referenced product or service names and trademarks are the property of their respective owners.

Edition 2019-10-15

Published by

Infineon Technologies AG

81726 Munich, Germany

© 2019 Infineon Technologies AG.

All Rights Reserved.

Do you have a question about any aspect of this document?

Email: erratum@infineon.com

Document reference

Z8F65709404

IMPORTANT NOTICE

The information given in this document shall in no event be regarded as a guarantee of conditions or characteristics ("Beschaffheitsgarantie").

With respect to any examples, hints or any typical values stated herein and/or any information regarding the application of the product, Infineon Technologies hereby disclaims any and all warranties and liabilities of any kind, including without limitation warranties of non-infringement of intellectual property rights of any third party.

In addition, any information given in this document is subject to customer's compliance with its obligations stated in this document and any applicable legal requirements, norms and standards concerning customer's products and any use of the product of Infineon Technologies in customer's applications.

The data contained in this document is exclusively intended for technically trained staff. It is the responsibility of customer's technical departments to evaluate the suitability of the product for the intended application and the completeness of the product information given in this document with respect to such application.

For further information on technology, delivery terms and conditions and prices, please contact the nearest Infineon Technologies Office (www.infineon.com).

WARNINGS

Due to technical requirements products may contain dangerous substances. For information on the types in question please contact your nearest Infineon Technologies office.

Except as otherwise explicitly approved by Infineon Technologies in a written document signed by authorized representatives of Infineon Technologies, Infineon Technologies' products may not be used in any applications where a failure of the product or any consequences of the use thereof can reasonably be expected to result in personal injury.