

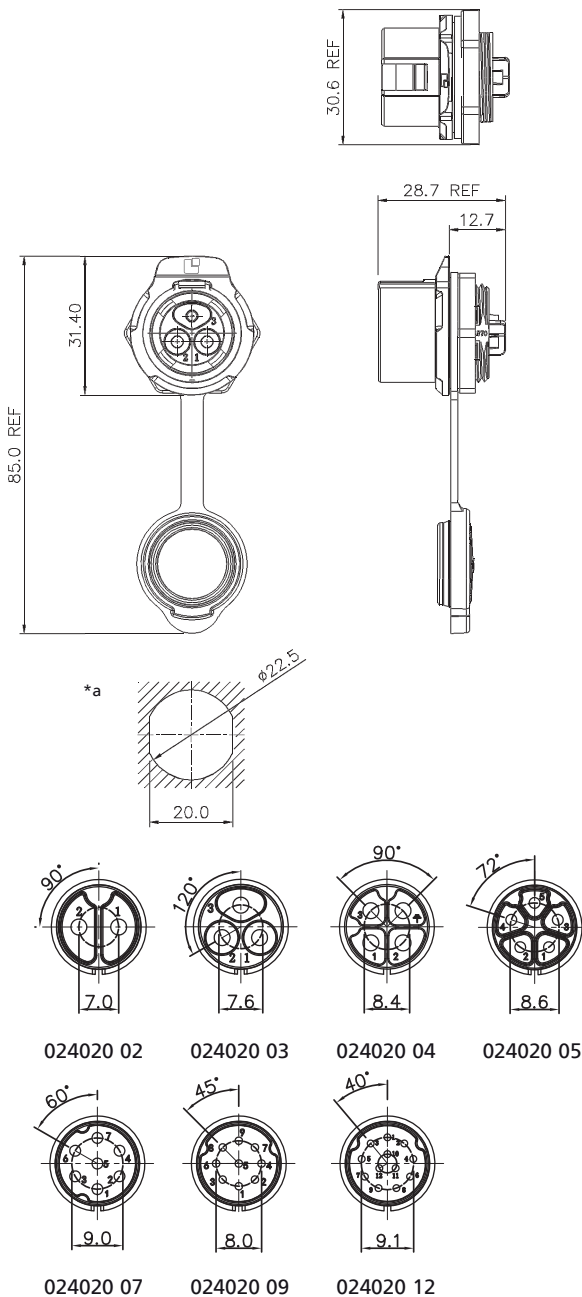
02 024020

Quicklock circular connectors, IP67



Quicklock chassis plug, IP67, size 20, straight version, with plastic housing, solder terminals and protecting cap (IP65)

02 024020



\*a port

### Environmental conditions

Temperature range -40 °C/+80 °C

### Materials

Insulating body	PBT, V-0 according to UL94
Contact pin	CuZn, gold-plated
Housing	PBT, V-0 according to UL94 <sup>1</sup>
Cap	SI
Hexagonal nut	PBT, V-0 according to UL94

<sup>1</sup> outdoor sustainable (F1 according to UL 746C)

### Mechanical data

Protection class IP67 (protecting cap IP65)<sup>1</sup>

<sup>1</sup> only in locked condition with an appropriate counterpart

### Connectable conductors for solder area

Section	2.5–4.0 mm <sup>2</sup> /AWG 14–12 (2–4 poles) 1.0–1.5 mm <sup>2</sup> /AWG 18–16 (5–7 poles) 0.34–0.75 mm <sup>2</sup> /AWG 22–20 (9–12 poles)
---------	---

### Electrical data (at T<sub>amb</sub> 20 °C)

Contact resistance	≤ 5 mΩ
Rated current	20 A (2–4 poles) 12 A (5–7 poles) 5 A (9–12 poles)
Rated voltage	500 V
Rated impulse voltage	2500 V AC (2–7 poles) 1500 V AC (9–12 poles)
Creepage distance	≥ 2 mm
Clearance	≥ 2 mm
Insulation resistance	> 500 MΩ

### Associated products

Counterparts  
☞ 026520

02 024020

Designation	Pole Number	PU (Pieces)	MDQ (Pieces)
024020 02	2	10	40
024020 03	3	10	40
024020 04	4	10	40
024020 05	5	10	40
024020 07	7	10	40
024020 09	9	10	40
024020 12	12	10	40

**Packaging:**

in individual plastic bags, in a cardboard box