

204506-1 ✓ ACTIVE

**AMPLIMITE**

TE Internal #: 204506-1

Box Mount D-Sub Connectors, Receptacle, Cable-to-Cable, 62 Position, 4 D-Sub Shell Size, Socket, 22 D-Sub Contact Size, 2.29 mm [.09in] Centerline

[View on TE.com >](#)



Connectors > D-Shaped Connectors > D-Sub Connectors > Box Mount D-Sub Connectors



Connector & Housing Type: **Receptacle**

Connector System: **Cable-to-Cable**

Number of Positions: **62**

Power/Signal/Coax Combination: **No**

D-Sub Shell Size: **4**

**Features**

**Product Type Features**

Product Type	Connector
Connector & Housing Type	Receptacle
Connector System	Cable-to-Cable
D-Sub Shell Size	4
Sealable	No
Connector & Contact Terminates To	Wire & Cable
Blindmate	No

**Configuration Features**

Number of Positions	62
Power/Signal/Coax Combination	No

**Body Features**

Retention Clip Material	Stainless Steel
Shell Plating Material	Cadmium
Shell Material	Steel
Non-Magnetic	No

**Contact Features**

Contact Type	Socket
D-Sub Contact Size	22



Contact Current Rating (Max)	5 A
------------------------------	-----

### Mechanical Attachment

Mounting Hole Diameter	3.05 mm[.12 in]
------------------------	-----------------

### Housing Features

Centerline (Pitch)	2.29 mm[.09 in]
--------------------	-----------------

### Usage Conditions

Operating Temperature Range	-55 – 125 °C[-67 – 257 °F]
-----------------------------	----------------------------

### Operation/Application

ULTRA-LITE Connector	No
----------------------	----

Circuit Application	Signal
---------------------	--------

### Industry Standards

NASA Qualification	No
--------------------	----

### Packaging Features

Packaging Method	Carton
------------------	--------

### Other

Comment	"F" is stamped on connectors following M24308 part number as required. "F" designates cadmium shell plating., Size 22 sockets supplied with receptacles are loose piece.
---------	--

## Product Compliance

[For compliance documentation, visit the product page on TE.com>](#)

EU RoHS Directive 2011/65/EU	Not Compliant
------------------------------	---------------

EU ELV Directive 2000/53/EC	Not Compliant
-----------------------------	---------------

China RoHS 2 Directive MIIT Order No 32, 2016	Restricted Materials Above Threshold
---	--------------------------------------

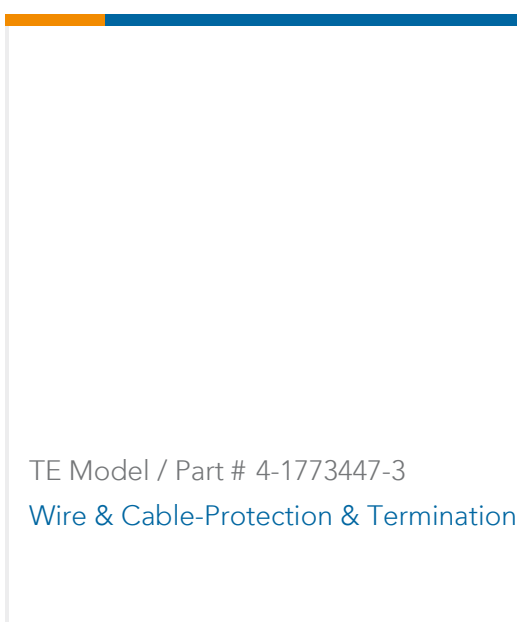
EU REACH Regulation (EC) No. 1907/2006	Current ECHA Candidate List: JUN 2020 (209) Candidate List Declared Against: JUL 2017 (174) Does not contain REACH SVHC
--	---

Halogen Content	BFR/CFR/PVC Free, but Br/Cl >900 ppm in other sources.
-----------------	--

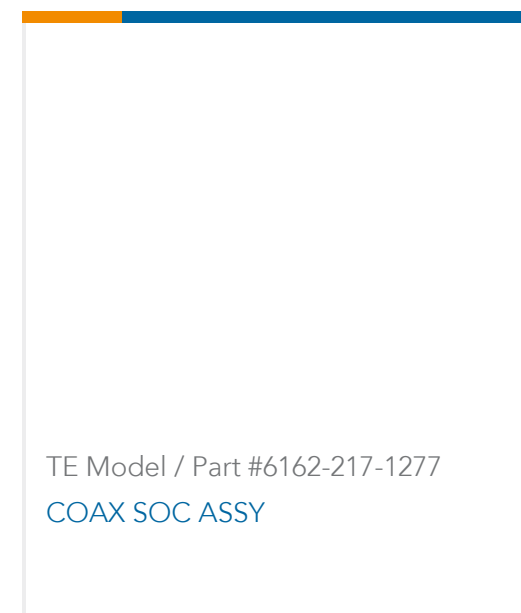
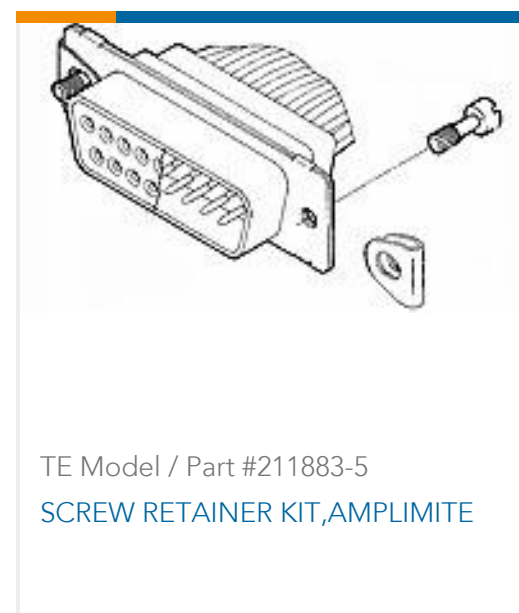
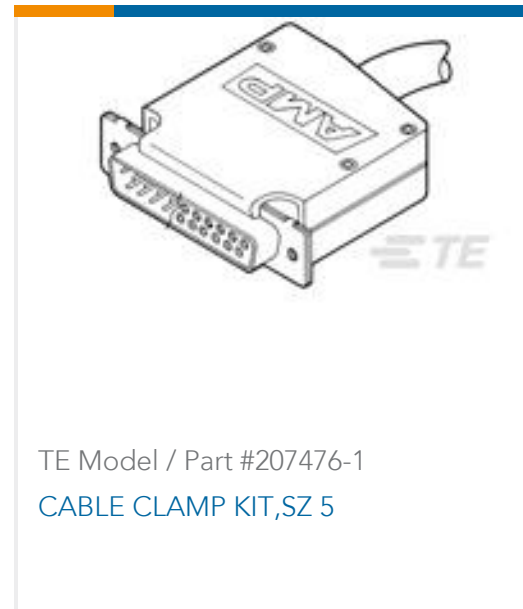
Solder Process Capability	Pin-in-Paste capable to 260°C
---------------------------	-------------------------------

This information is provided based on reasonable inquiry of our suppliers and represents our current actual knowledge based on the information they provided. This information is subject to change. The part numbers that TE has identified as EU RoHS compliant have a maximum concentration of 0.1% by weight in homogenous materials for lead, hexavalent chromium, mercury, PBB, PBDE, DBP, BBP, DEHP, DIBP, and 0.01% for cadmium, or qualify for an exemption to these limits as defined in the Annexes of Directive 2011/65/EU (RoHS2). Finished electrical and electronic equipment products will be CE marked as required by Directive 2011/65/EU. Components may not be CE marked. Additionally, the part numbers that TE has identified as EU ELV compliant have a maximum concentration of 0.1% by weight in homogenous materials for lead, hexavalent chromium, and mercury, and 0.01% for cadmium, or qualify for an exemption to these limits as defined in the Annexes of Directive 2000/53/EC (ELV). Regarding the REACH Regulation, the information TE provides on SVHC in articles for this part number is based on the latest European Chemicals Agency (ECHA) 'Guidance on requirements for substances in articles' posted at this URL: <https://echa.europa.eu/guidance-documents/guidance-on-reach>

## Compatible Parts



## Customers Also Bought





TE Model / Part #179544-000  
D-181-2222-90/9



TE Model / Part #955477-000  
D-181-1224-90/9

## Documents

### Product Drawings

[RECEPT ASSY,62 POSN,AMPLIMITE](#)

English

### CAD Files

[3D PDF](#)

3D

Customer View Model

[ENG\\_CVM\\_CVM\\_204506-1\\_AC.2d\\_dxf.zip](#)

English

Customer View Model

[ENG\\_CVM\\_CVM\\_204506-1\\_AC.3d\\_igs.zip](#)

English

Customer View Model

[ENG\\_CVM\\_CVM\\_204506-1\\_AC.3d\\_stp.zip](#)

English

By downloading the CAD file I accept and agree to the [Terms and Conditions](#) of use.

### Datasheets & Catalog Pages

[1308940\\_Sec8\\_amplimite](#)

English

### Instruction Sheets

[Instruction Sheet \(U.S.\)](#)

English

### Agency Approvals

[UL Report](#)

English