

Euro-style Angled Category 6A Socket



Euro-style Angled Category 6A Socket (SGKS45*AX)

Our die-cast fully shielded Category 6A jack offers a toolless solution for most Euro-style STP requirements

Features

- High performance easily compliant with ANSI/TIA 568 C.2 standard at permanent link level
- Compliant with IEC60512-99-001 – suitable for use with IEEE 802.3at (PoE+) applications
- 3rd Party (Delta) verified
- Quick and easy tool-less lever “butterfly” style termination
- Fully shielded die-cast socket housing offers outstanding performance in eliminating alien cross-talk
- Suitable for 23-26 AWG stranded and solid wire. (0.40 – 0.57mm)
- Built-in dustcover
- Stylish angled 25 x 50 Euro-style shutter-less adaptor in black or white suitable for decorative or standard faceplates
- Angled presentation minimises the strain on cables and is suitable for shallow back boxes

Specifications

- Dimensions: 55 mm x 25 mm x 35.5 mm approx
- Weight: 26g approx
- Colour: Black or White with silver socket
- Materials: Zinc alloy socket in polycarbonate housing; 50µ"/1.27µm gold plating on contacts
- Plug insertion life: > 750 insertions
- Supplied with cable tie
- Operating temperature: -10°C to 60°C

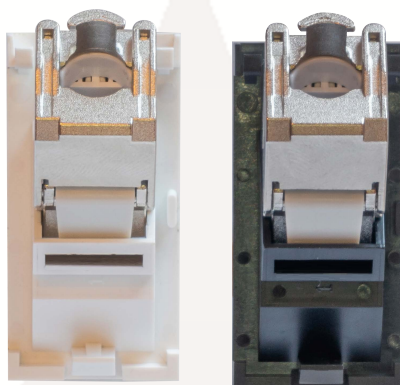
Packaging: Packed in individual polybags then in bags of 20

EAN: SGKS45whAX - 5055386508195

SGKS45bkAX - 5055386508270

Commodity Code: 85444920

Rear views



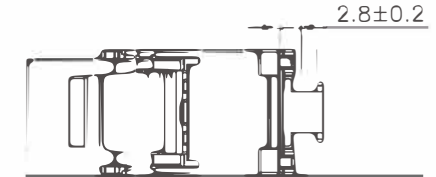
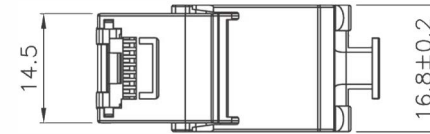
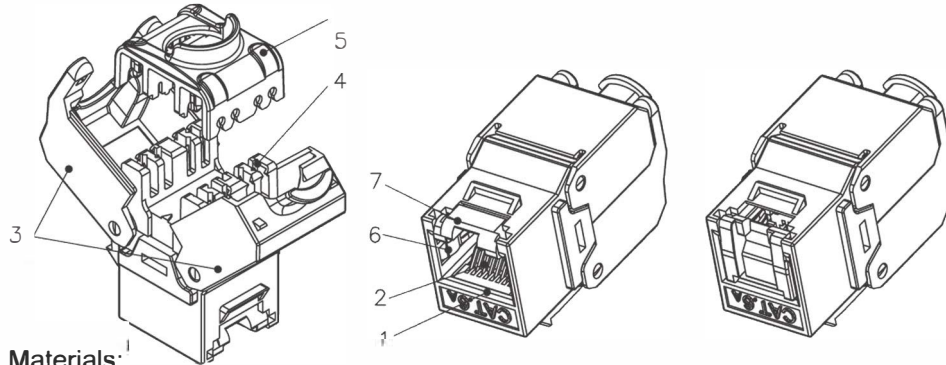
Illustrative images



ROHS Compliant

Category 6A shielded keystone jack

Code: SGKS45*AX



Materials:

1. RJ45 jack:

Housing: die cast nickel plated zinc
 Contact bracket: PC, UL 94-V2. transparent colour
 Faceplate adaptor: polycarbonate

2. RJ45 jack contact:

Material: nickel plated phosphor bronze
 Finish: 1.27µm/50µ" gold plated on plug contact area

3. Cap A&B: die cast nickel plated zinc

4. IDC

Housing: PC, grey colour (RAL7035), UL 94-V2
 Terminal: Tin plated phosphor bronze

5. Cap: PC, white colour, UL 94-V2

6. Clip: Stainless steel

7. Shutter: ABS+PC, UL 94V-0, white colour

8. PCB: FR4, UL 94-V0

Performance:

a. T568A & T568B wiring

b. Insertion force: 30N max. (IEC 60603-7-5)

c. Retention strength: 7.7kg between jack and plug

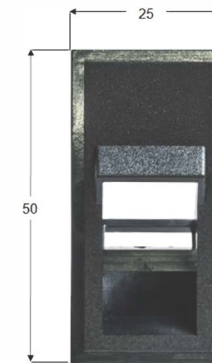
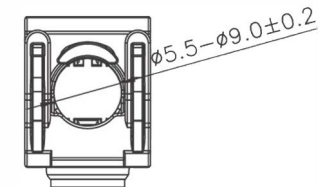
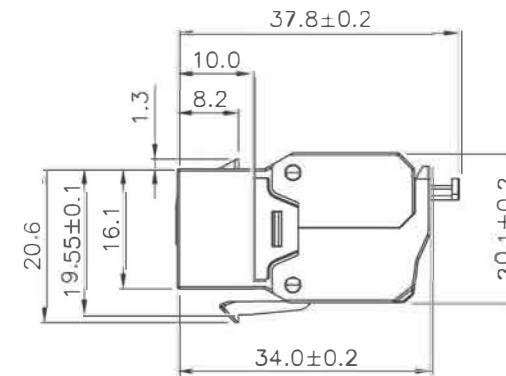
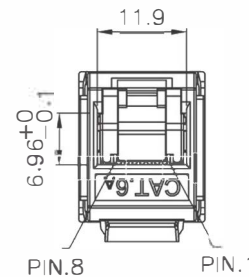
d. Operating temperature: -10°C to 60°C (ISO/IEC 11801, ANSI/TIA 568 C.2)

e. Life (mating cycles)

Jack: 750 cycles min. (ISO/IEC 11801, IEC 60603-7-5)

IDC: Suitable for 23-26 AWG stranded and solid wire.

f. The Cat 6A transmission performance is in compliance with the ANSI/TIA 568 C.2 standard



SCALE 1/1