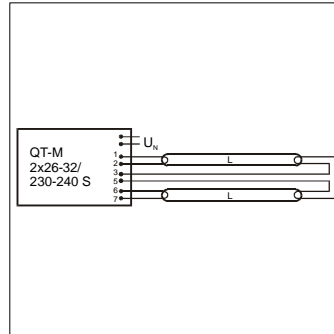
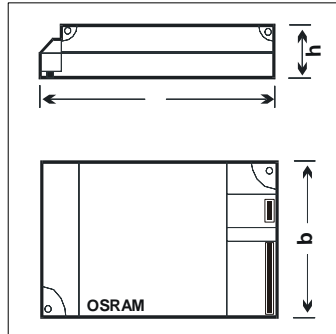


Electronic control gear
QUICKTRONIC® MULTIWATT for fluorescent lamps, two-lamp version
QT-M 2x26-32/230-240 S



Reference :	QT-M 2x26-32/230-240 S	EAN 40 50300 :	624976
for lamp :	2 x DT/E 32	Mains voltage [V] :	230 ... 240
Permissible voltage fluctuations [V] :	198 ... 254	Permissible battery voltage [V] :	176 ... 254
Lamp start :	Warm start within 1 s	Mains frequency [Hz] :	0/50 - 60
Operating frequency [kHz] :	approx. 40	Mains current [A] :	0,30
Power factor [c] :	0,97	System wattage [W] :	70
Luminous flux [lm] :	4800	Temperature range [°C] :	-20 ... +50
Radio interference suppression :	to EN 55015	Harmonics :	to EN 61000-3-2
Immunity :	to EN 61547	Length l [mm] :	123
Width b [mm] :	79	Height h [mm] :	33
Distance between holes a [mm] :	129,5	Standard pack [pcs] :	20
Weight [g] :	240		

QUICKTRONIC® MULTIWATT for (compact) fluorescent lamps

In applications that used to require different ECG types, a single QUICKTRONIC® MULTIWATT ECG can now be used because it has the flexibility to operate different types of fluorescent lamp. In all, 17 different tubular and circular fluorescent lamps and compact fluorescent lamps can be operated by a QUICKTRONIC® MULTIWATT QT-M 1x26-42/230-240. The QT-M 2x26- 32/230-240S is suitable for operating 12 types each with two lamps of the same wattage and more than 100 combinations each with two lamps of different wattages. All the lamp types approved for the relevant ECG are operated at optimum efficiency (i.e. at their rated data). The use of only a few MULTIWATT types reduces stock levels and the amount of capital tied up, and cuts down on planning and logistics. Because different lamp types and wattages can now be combined, the two-lamp QUICKTRONIC® MULTIWATT offers greater freedom for lighting and luminaire design.

Safety:

Electronic control gear
QUICKTRONIC® MULTIWATT for fluorescent lamps, two-lamp version
QT-M 2x26-32/230-240 S

Page 2

- Lamp operation to EN 60929
- ECG safety to EN 60928
- "End of Life" circuit for safe shutdown
- Automatic restart of replacement lamps
- Cut-off technology with shutdown of filament heating for greater luminaire efficiency, maximum lamp life and minimum thermal output
- Total harmonic distortion to EN 61000-3-2
- Immunity to EN 61547

General:

- Supply voltage: 230 V to 240 V
- Mains frequency: 0, 50 to 60 Hz
- Lamp start: Lamp start within 1 s with optimum filament preheating. If there is a temporary interruption in the power supply (< 0.5 s) the lamp will start within 0.3 s.
- The battery voltage may drop to 176 V. The lamps must be ignited at over 198 V however
- ENEC VDE, EMV
- RI suppression: to EN 55015
- Mains harmonics: to EN 61000-3-2
- Immunity: to EN 61547