



Product Change Notification



Product Group: SIL/Tue Sep 22, 2020/PCN-SIL-035-2020-REV-0

Commercial Power MOSFET Manufacturing Capacity Transfer

DESCRIPTION OF CHANGE: Vishay Siliconix Division is moving assembly and test location from Vishay Xi'an factory to Advanced Semiconductor Engineering (ASE) plant located in Weihai, China for commercial High Voltage Power MOSFETs in Vishay's Super TO-247 package.

ASE has been a leading backend manufacturing company since 2003; The Weihai facility has provided world-class total manufacturing services for discrete MOSFETs since 2008. Vishay Siliconix has been a partner with the ASE Weihai facility since 2013. This qualification now adds Super TO-247 to other Vishay Siliconix commercial Power MOSFET packages supplied by ASE. The manufacturing process to be used in ASE is similar to that used in the Vishay Xi'an facility from which this package is currently manufactured.

ASE has received international quality systems and environmental compliance certifications including TS16949, ISO9001, ISO14001 and OSHAS 18001.

REASON FOR CHANGE: Manufacturing capacity consolidation for future expansion

EXPECTED INFLUENCE ON QUALITY/RELIABILITY/PERFORMANCE: There will be no affect on the quality, reliability, or performance. There will be no changes in minimum and maximum values on the data sheets. The finished good appearance and outline dimension variance are shown in annex.

PART NUMBERS/SERIES/FAMILIES AFFECTED: Please see materials list on the succeeding page.

VISHAY BRAND(s): Vishay Siliconix

TIME SCHEDULE:

Start Shipment Date: Fri Jan 1, 2021

SAMPLE AVAILABILITY: Oct. 15, 2020

PRODUCT IDENTIFICATION: Products manufactured at ASE will be identified by a "N" in the first position of the date code marked on the 2nd line of the part

QUALIFICATION DATA: Qualification results are available upon request

This PCN is considered approved, without further notification, unless we receive specific customer concerns before Thu Dec 24, 2020 or as specified by contract.

ISSUED BY: Michael Hsieh, Michael.Hsieh@vishay.com

For further information, please contact your regional Vishay office.

CONTACT INFORMATION:

Vishay Intertechnology, Inc.

Corporate Headquarters 63 Lincoln Highway, Malvern, PA 19355-2143 U.S.A. Phone (610) 644-1300 Fax (610) 296-0657 www.vishay.com

ONE OF THE WORLD'S LARGEST MANUFACTURERS OF DISCRETE SEMICONDUCTORS AND PASSIVE COMPONENT



Product Change Notification



Product Group: SIL/Tue Sep 22, 2020/PCN-SIL-035-2020-REV-0

Americas

Vishay Siliconix

San Jose CA United States 95134

+1-408-988-8000

+1-408-567-8942

Europe

Vishay Electronic GmbH

Selb Germany 95100

+49-9287-710

+49-9287-70435

Asia

Vishay Intertechnology Asia Pte. Ltd

Singapore Singapore 528877

+65-6788-6668

+65-6788-0988

Vishay Intertechnology, Inc.

Corporate Headquarters 63 Lincoln Highway, Malvern, PA 19355-2143 U.S.A. Phone (610) 644-1300 Fax (610) 296-0657 www.vishay.com

ONE OF THE WORLD'S LARGEST MANUFACTURERS OF DISCRETE SEMICONDUCTORS AND PASSIVE COMPONENT



Product Change Notification



Product Group: SIL/Tue Sep 22, 2020/PCN-SIL-035-2020-REV-0

IRFPS37N50APBF	IRFPS38N60LPBF	IRFPS40N50LPBF	IRFPS40N60KPBF	IRFPS43N50KPBF
SIHS36N50D-E3	SIHS90N65E-E3			

Vishay Intertechnology, Inc.

Corporate Headquarters 63 Lincoln Highway, Malvern, PA 19355-2143 U.S.A. Phone (610) 644-1300 Fax (610) 296-0657 www.vishay.com

ONE OF THE WORLD'S LARGEST MANUFACTURERS OF DISCRETE SEMICONDUCTORS AND PASSIVE COMPONENT



Product Change Notification



Product Group: Vishay Siliconix/September 25, 2020/PCN SIL-0352020 Rev0

TIME SCHEDULE: Shipments of Super TO-247 products manufactured at ASE will begin in January 2021
Last Time Buy Date from original site: December 24, 2020
Last Time Shipment Date from original site: June 24, 2021

PCN-SIL-0352020 Affected Parts List

Original P/N from XI'AN	Suggested new P/N from ASE
IRFPS37N50APBF	SiHFPS37N50A-GE3
IRFPS38N60LPBF	SiHFPS38N60L-GE3
IRFPS40N50LPBF	SiHFPS40N50L-GE3
IRFPS40N60KPBF	SiHFPS40N60K-GE3
IRFPS43N50KPBF	SiHFPS43N50K-GE3
SIHS36N50D-E3	SIHS36N50D-GE3
SIHS90N65E-E3	SIHS90N65E-GE3

Samples

The following parts are planned to be built for sampling:

Material
IRFPS37N50APBF
IRFPS38N60LPBF
IRFPS40N50LPBF
IRFPS43N50KPBF

Vishay Intertechnology, Inc.

Corporate Headquarters 63 Lincoln Highway, Malvern, PA 19355-2143 U.S.A. Phone (610) 644-1300 Fax (610) 296-0657 www.vishay.com

ONE OF THE WORLD'S LARGEST MANUFACTURERS OF DISCRETE SEMICONDUCTORS AND PASSIVE COMPONENT



Product Change Notification

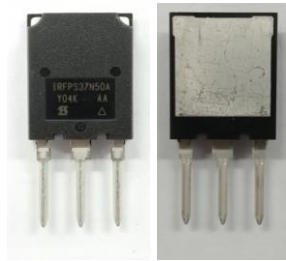


Product Group: Vishay Siliconix/September 25, 2020/PCN SIL-0352020 Rev0

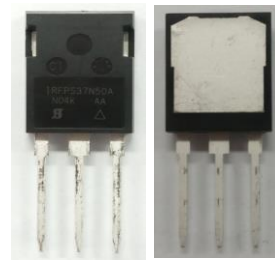
ANNEX

Super TO-247 Outline

XI'AN



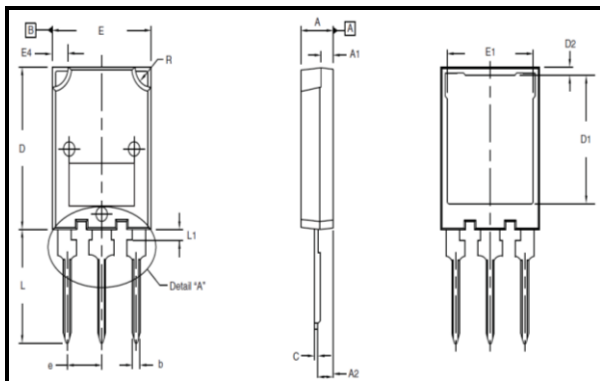
ASEWH



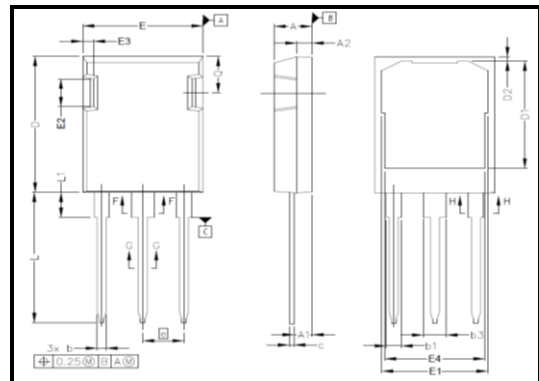
Outline Drawing Comparison

Items	JEDEC		Items	XI'AN		Items	ASEWH		Change
	Min	Max		Min	Max		Min	Max	
A	4.50	5.50	A	4.70	5.30	A	4.83	5.21	+0.13 / -0.90
A1	1.45	2.15	A1	1.50	2.50	A2	1.91	2.16	+0.41 / -0.34
A2	1.65	2.35	A2	2.25	2.65	A1	1.91	2.16	-0.34 / -0.49
b	1.45	1.60	b	1.30	1.60	b	1.07	1.33	-0.23 / -0.27
b2	2.00	2.40	b2	1.80	2.20	b1	1.91	2.41	+0.11 / +0.21
b4	3.00	3.15	b4	3.00	3.25	b3	2.87	3.38	-0.13 / +0.13
c	1.10	1.30	c	0.38	0.89	c	0.55	0.68	+0.17 / -0.21
D	19.80	20.80	D	19.80	20.80	D	20.80	21.10	+1.00 / +0.30
D1	15.50	16.10	D1	15.50	16.10	D1	16.25	17.65	+0.75 / +1.55
D2	0.70	1.30	D2	0.70	1.30	D2	0.50	0.80	-0.20 / -0.50
E	15.10	16.10	E	15.10	16.10	E	15.75	16.13	+0.65 / +0.03
E1	13.30	13.90	E1	13.30	13.90	E1	13.10	14.15	-0.20 / +0.25
e	5.45 BSC		e	5.44 BSC		e	5.44 BSC		None
L	13.80	14.80	L	13.70	14.70	L	19.81	20.32	+6.11 / +5.62
L1	1.00	1.60	L1	1.00	1.60	-	-	-	-
R	2.00	3.00	R	2.00	3.00	-	-	-	-

XI'AN



ASEWH



Vishay Intertechnology, Inc.

Corporate Headquarters 63 Lincoln Highway, Malvern, PA 19355-2143 U.S.A. Phone (610) 644-1300 Fax (610) 296-0657 www.vishay.com

ONE OF THE WORLD'S LARGEST MANUFACTURERS OF DISCRETE SEMICONDUCTORS AND PASSIVE COMPONENT