

Würth Elektronik eiSos GmbH & Co. KG

EMC & Inductive Solutions

Max-Eyth-Straße 1 · 74638 Waldenburg · Germany

Tel. +49 (0) 79 42 945-0 · Fax +49 (0) 79 42 945-400

eiSos@we-online.de · www.we-online.de



Product / Process Change Notification (PCN)

- Major change
 Minor change

PCN #: PCN_IndSI_20201211

Affected Series: WE-SI; 744xxx

PCN Date: September 11, 2020

Effective Date: December 11, 2020

Change Category:

- Equipment / Location
 General Data
 Material
 Process
 Product Design
 Shipping / Packaging
 Supplier
 Software

Contact: Product Management

Phone: +49 (0) 7942 - 945 5001

Fax: +49 (0) 7942 - 945 5179

E-Mail: pcn.eisos@we-online.com

Data Sheet Change:

- Yes No

Attachment:

- Yes No

DESCRIPTION AND PURPOSE OF CHANGE:

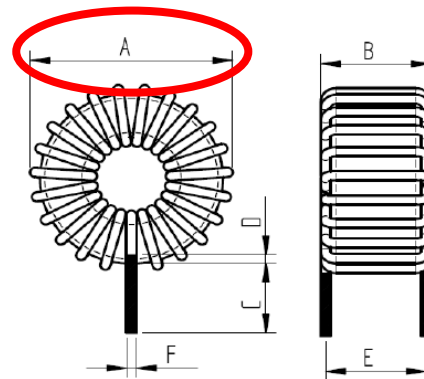
As a datasheet amendment, Würth Elektronik will change the layout of the datasheet to a newer version.

Because of a database mismatch, Würth Elektronik will correct the mechanical dimensions of the parts specified in "Detail of change".

This is a datasheet correction only. There will be no change in form, fit, function, quality or reliability of the product.

DETAIL OF CHANGE:

Part Number	Length before Change [A] max.	Length after Change [A] max.
744138	43 mm	42 mm



Würth Elektronik eiSos GmbH & Co. KG

EMC & Inductive Solutions

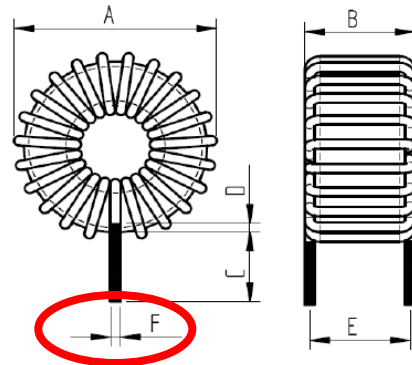
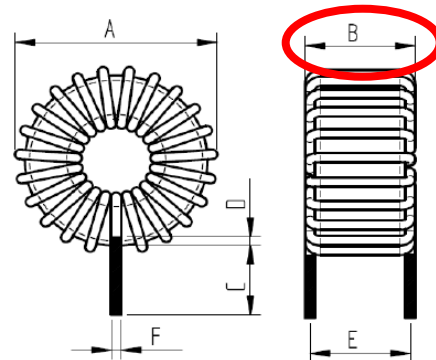
Max-Eyth-Straße 1 · 74638 Waldenburg · Germany

Tel. +49(0)79 42 945-0 · Fax +49(0)79 42 945-400

eiSos@we-online.de · www.we-online.de



Part Number	Width before Change [B] max.	Width after Change [B] max.
744101	8 mm	8.4 mm
744105	8 mm	8.4 mm
744106	8 mm	8.4 mm
744107	12 mm	12.4 mm
744114	9 mm	9.6 mm
744115	9 mm	9.7 mm
744116	9 mm	10.1 mm
744117	12.5 mm	13.5 mm
744132	9.5 mm	10.9 mm
744133	13 mm	13.9 mm
744136	15 mm	15.3 mm
744137	15 mm	15.3 mm
744151	12 mm	12.1 mm
744152	12 mm	12.1 mm
744153	15.5 mm	15.6 mm
744155	15 mm	15.7 mm
744156	15.5 mm	16.1 mm



Part Number	Pin Diameter before Change [F]	Pin Diameter after Change [F]
744107	0.3 mm	0.32 mm

RELIABILITY / QUALIFICATION SUMMARY:

There will be no change of the product, therefore no additional reliability or qualification testing will be performed.