

Würth Elektronik eiSos GmbH &amp; Co. KG

EMC &amp; Inductive Solutions

Max-Eyth-Straße 1 · 74638 Waldenburg · Germany

Tel. +49 (0) 79 42 945-0 · Fax +49 (0) 79 42 945-400

eiSos@we-online.de · www.we-online.de



## Product / Process Change Notification (PCN)

- Major change  
 Minor change

**PCN #:** PCN\_IndFI\_20201218

**Affected Series:** WE-FI; 74470xx

**PCN Date:** September 11, 2020

**Effective Date:** December 11, 2020

### Change Category:

- Equipment / Location  
 General Data  
 Material  
 Process  
 Product Design  
 Shipping / Packaging  
 Supplier  
 Software

**Contact:** Product Management

**Phone:** +49 (0) 7942 - 945 5001

**Fax:** +49 (0) 7942 - 945 5179

**E-Mail:** pcn.eisos@we-online.com

### Data Sheet Change:

- Yes  No

### Attachment:

- Yes  No

### DESCRIPTION AND PURPOSE OF CHANGE:

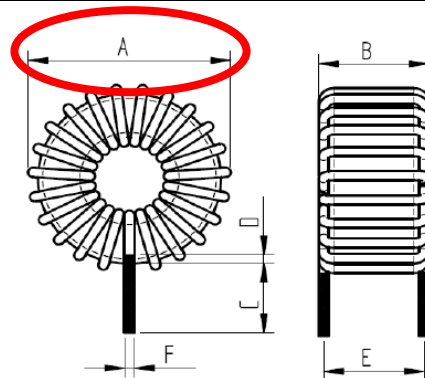
As a datasheet amendment, Würth Elektronik will change the layout of the datasheet to a newer version.

Because of a database mismatch, Würth Elektronik will correct the mechanical dimensions of the parts specified in "Detail of change".

This is a datasheet correction only. There will be no change in form, fit, function, quality or reliability of the product.

### DETAIL OF CHANGE:

Part Number	Length before Change [A] max.	Length after Change [A] max.
7447011	17.5 mm	18.5 mm
7447021	15.5 mm	16.5 mm
7447022	15 mm	15.5 mm
7447024	15 mm	15.6 mm
7447030	13 mm	13.5 mm
7447032	13 mm	13.5 mm
7447034	13 mm	13.5 mm
7447035	13 mm	13.5 mm



Würth Elektronik eiSos GmbH &amp; Co. KG

EMC &amp; Inductive Solutions

Max-Eyth-Straße 1 · 74638 Waldenburg · Germany

Tel. +49 (0) 79 42 945-0 · Fax +49 (0) 79 42 945-400

eiSos@we-online.de · www.we-online.de



Part Number	Width before Change [B] max.	Width after Change [B] max.	
7447010	9.5 mm	11.6 mm	
7447011	9 mm	10.7 mm	
7447012	9 mm	10.7 mm	
7447013	9.5 mm	10.5 mm	
7447014	9.5 mm	9.2 mm	
7447015	8.5 mm	11 mm	
7447016	10.5 mm	11.1 mm	
7447019	17 mm	17.2 mm	
7447020	7.5 mm	9.6 mm	
7447021	8 mm	9.7 mm	
7447022	7.5 mm	7.6 mm	
7447023	9 mm	9.9 mm	
7447024	7 mm	8.7 mm	
7447025	8.5 mm	9.5 mm	
7447026	8.5 mm	9.1 mm	
7447028	7.5 mm	9.1 mm	
74470291	8.5 mm	9.5 mm	
7447030	6 mm	7.4 mm	
7447031	7 mm	8.6 mm	
7447032	5.5 mm	7.4 mm	
7447033	7 mm	8.7 mm	
7447034	6.5 mm	7.5 mm	
7447035	6 mm	6.7 mm	
7447036	7.5 mm	8.5 mm	
7447037	6 mm	7.3 mm	
7447040	5 mm	6.9 mm	
7447041	5.5 mm	7 mm	
7447044	6 mm	7.7 mm	
7447051	4.5 mm	6.4 mm	
7447052	5.5 mm	6.6 mm	
7447054	5.5 mm	7.8 mm	
7447060	11 mm	11.2 mm	
7447065	12 mm	12.9 mm	
7447070	11 mm	11.5 mm	
7447071	12 mm	13.4 mm	
7447075	15 mm	16.4 mm	
7447076	13 mm	13.6 mm	

Würth Elektronik eiSos GmbH & Co. KG

EMC & Inductive Solutions

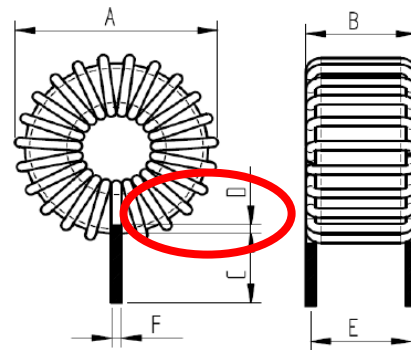
Max-Eyth-Straße 1 · 74638 Waldenburg · Germany

Tel. +49 (0) 79 42 945-0 · Fax +49 (0) 79 42 945-400

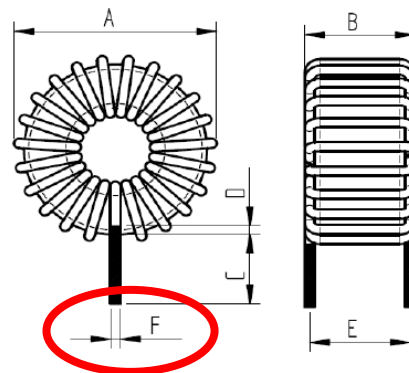
eiSos@we-online.de · www.we-online.de



Part Number	Tin Length before Change [D]	Tin Length after Change [D] min.
7447015	1.5 mm	1 mm
7447017	1.5 mm	1 mm
7447019	2 mm	1 mm
7447021	1.5 mm	1 mm
7447022	1.5 mm	1 mm
7447025	1.5 mm	1 mm
7447026	0 mm	1 mm
7447031	1.5 mm	1 mm
7447032	1.5 mm	1 mm
7447035	1.5 mm	1 mm
7447037	1.5 mm	1 mm
7447040	1.5 mm	1 mm
7447041	1.5 mm	1 mm
7447042	1.5 mm	1 mm
7447043	1.5 mm	1 mm
7447051	1.5 mm	1 mm
7447052	1.5 mm	1 mm



Part Number	Pin Diameter before Change [F]	Pin Diameter after Change [F]
7447013	0.798 mm	0.8 mm
7447014	0.798 mm	0.6 mm
7447015	0.802 mm	0.8 mm
7447020	0.498 mm	0.5 mm
7447021	0.598 mm	0.6 mm
7447023	0.802 mm	0.8 mm
7447024	0.598 mm	0.6 mm
7447025	0.802 mm	0.8 mm
7447026	0.998 mm	1 mm
7447027	0.998 mm	1 mm
7447031	0.498 mm	0.5 mm
7447033	0.598 mm	0.6 mm
7447035	0.598 mm	0.6 mm
7447040	0.302 mm	0.3 mm
7447041	0.398 mm	0.4 mm
7447042	0.302 mm	0.3 mm
7447043	0.498 mm	0.5 mm
7447044	0.598 mm	0.6 mm
7447051	0.29 mm	0.3 mm
7447052	0.498 mm	0.5 mm
7447053	0.498 mm	0.5 mm
7447054	0.602 mm	0.6 mm
7447065	1 mm	0.8 mm



Würth Elektronik eiSos GmbH & Co. KG

EMC & Inductive Solutions

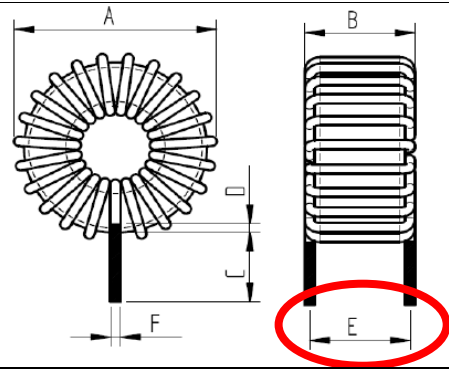
Max-Eyth-Straße 1 · 74638 Waldenburg · Germany

Tel. +49 (0) 79 42 945-0 · Fax +49 (0) 79 42 945-400

eiSos@we-online.de · www.we-online.de



Part Number	Pin Distance before Change [E]	Pin Distance after Change [E]
7447022	6.5 ± 2 mm	6 ± 2 mm



**RELIABILITY / QUALIFICATION SUMMARY:**

There will be no change of the product, therefore no additional reliability or qualification testing will be performed.