



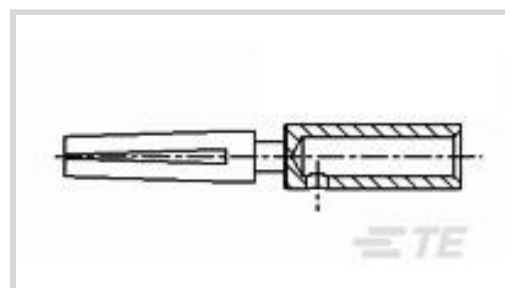
**Triad 01 Crimp**

TE Internal #: 5-1437720-7

Triad 01 Crimp, Connector Contacts, Socket, Tribor, 24AWG Wire Size, .14mm<sup>2</sup> / .25mm<sup>2</sup> Wire Size, Brass, Wire & Cable, 1A Contact Current Rating (Max)

[View on TE.com >](#)

Connectors > Rectangular Connectors > Connector Contacts



Contact Type: **Socket**

Contact Mating Area Plating Material: **Tribor**

Wire Size: **.14 mm<sup>2</sup>, .25 mm<sup>2</sup>**

Contact Base Material: **Brass**

**Features**

**Product Type Features**

Connector & Contact Terminates To	Wire & Cable
-----------------------------------	--------------

**Contact Features**

Contact Mating Area Plating Thickness	4 μm
Contact Type	Socket
Contact Mating Area Plating Material	Tribor
Contact Base Material	Brass
Contact Current Rating (Max)	1 A

**Dimensions**

Wire Size	.14 mm <sup>2</sup> , .25 mm <sup>2</sup>
-----------	---

**Packaging Features**

Packaging Quantity	500
--------------------	-----

**Product Compliance**

[For compliance documentation, visit the product page on TE.com>](#)

EU RoHS Directive 2011/65/EU	Compliant with Exemptions
EU ELV Directive 2000/53/EC	Compliant with Exemptions
China RoHS 2 Directive MIIT Order No 32, 2016	Restricted Materials Above Threshold
EU REACH Regulation (EC) No. 1907/2006	Current ECHA Candidate List: JUN 2020 (209)



Candidate List Declared Against: JUN 2020 (209)

SVHC > Threshold:

Pb (3% in Component Part)

Article Safe Usage Statements:

Do not eat, drink or smoke when using this product. Wash thoroughly after handling. Recycle if possible and dispose of the article by following all applicable governmental regulations relevant to your geographic location.

Halogen Content Low Halogen - Br, Cl, F, I < 900 ppm per homogenous material. Also BFR/CFR/PVC Free

Solder Process Capability Hand solderable with lead free solder

Product Compliance Disclaimer

This information is provided based on reasonable inquiry of our suppliers and represents our current actual knowledge based on the information they provided. This information is subject to change. The part numbers that TE has identified as EU RoHS compliant have a maximum concentration of 0.1% by weight in homogenous materials for lead, hexavalent chromium, mercury, PBB, PBDE, DBP, BBP, DEHP, DIBP, and 0.01% for cadmium, or qualify for an exemption to these limits as defined in the Annexes of Directive 2011/65/EU (RoHS2). Finished electrical and electronic equipment products will be CE marked as required by Directive 2011/65/EU. Components may not be CE marked. Additionally, the part numbers that TE has identified as EU ELV compliant have a maximum concentration of 0.1% by weight in homogenous materials for lead, hexavalent chromium, and mercury, and 0.01% for cadmium, or qualify for an exemption to these limits as defined in the Annexes of Directive 2000/53/EC (ELV). Regarding the REACH Regulation, the information TE provides on SVHC in articles for this part number is based on the latest European Chemicals Agency (ECHA) 'Guidance on requirements for substances in articles' posted at this URL: https://echa.europa.eu/guidance-documents/guidance-on-reach

### Compatible Parts



TE Model / Part # 601966-1  
CRIMPING TOOL M22520/2-01

### Also in the Series | Triad 01 Crimp

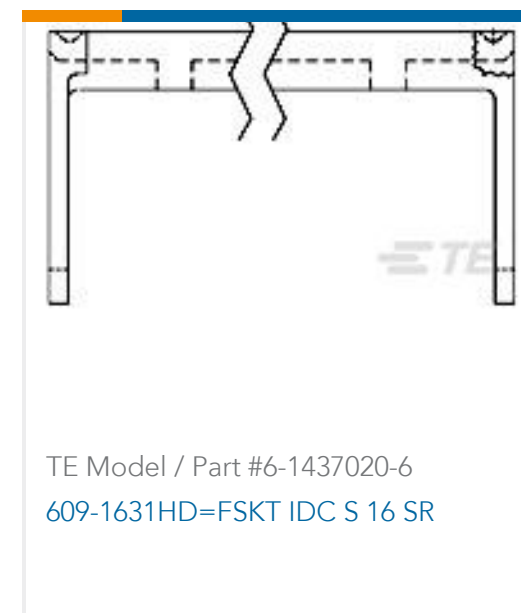
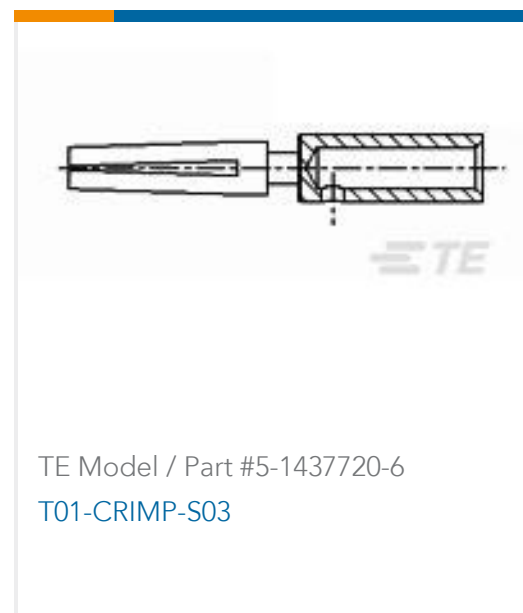
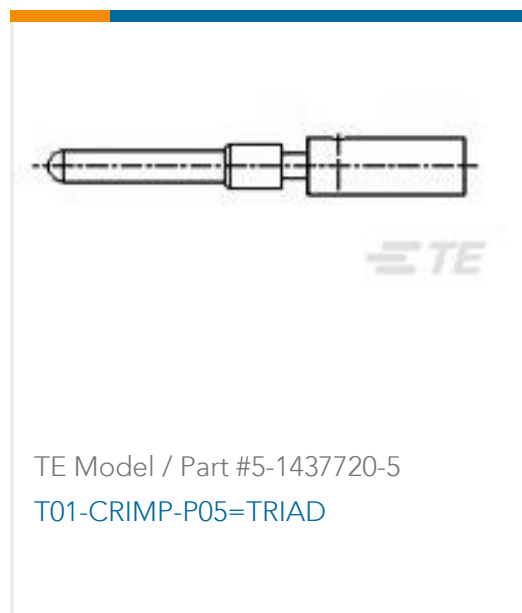
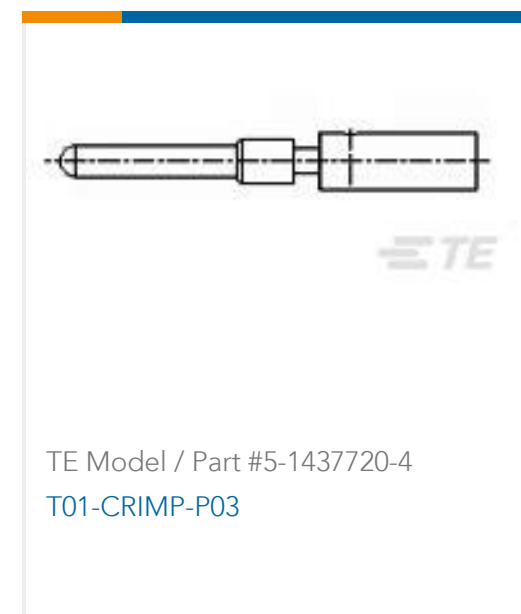
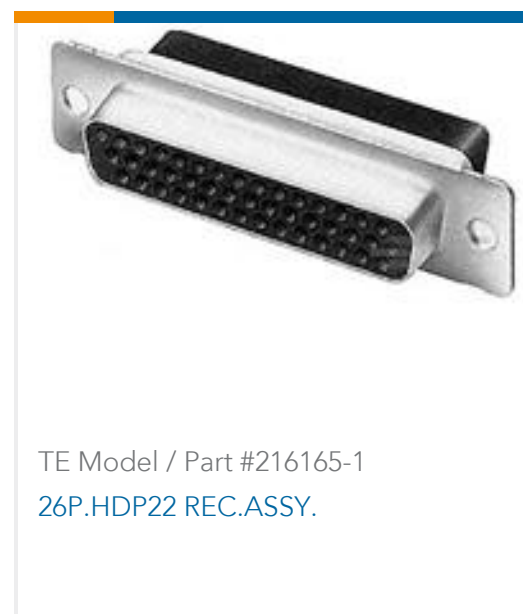
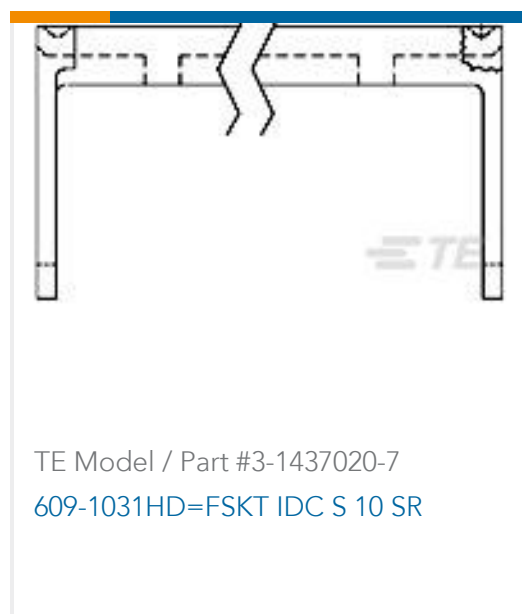


Connector Contacts(4)



Standard Circular Connectors(4)

### Customers Also Bought



## Documents

### Product Drawings

[T01-CRIMP-S05=TRIAD](#)

English

### CAD Files

[3D PDF](#)

3D

Customer View Model

[ENG\\_CVM\\_CVM\\_5-1437720-7\\_A.2d\\_dxf.zip](#)

English

Customer View Model

[ENG\\_CVM\\_CVM\\_5-1437720-7\\_A.3d\\_igs.zip](#)

English

Customer View Model

[ENG\\_CVM\\_CVM\\_5-1437720-7\\_A.3d\\_stp.zip](#)

English

By downloading the CAD file I accept and agree to the [Terms and Conditions](#) of use.

## Product Specifications



### Application Specification

English

---

### Product Environmental Compliance

#### TE Material Declaration

English