



(<https://www.dfrobot.com/product-345.html>)

Introduction

Welcome to the electronic interaction world! DFRobot proudly presents the Arduino beginner kit for those who are interested in learning about Arduino. Starting from basic LED control to more advanced IR remote control, this kit will guide you through the world of microcontrollers and physical computing.

A DFRduino UNO R3 (Compatible with Arduino Uno (<https://www.dfrobot.com/product-610.html>)), the most stable and commonly used Arduino processor, together with DFRobot's best selling prototype shield are included in this kit.

Getting Started with Arduino (<https://www.dfrobot.com/blog-588.html>)

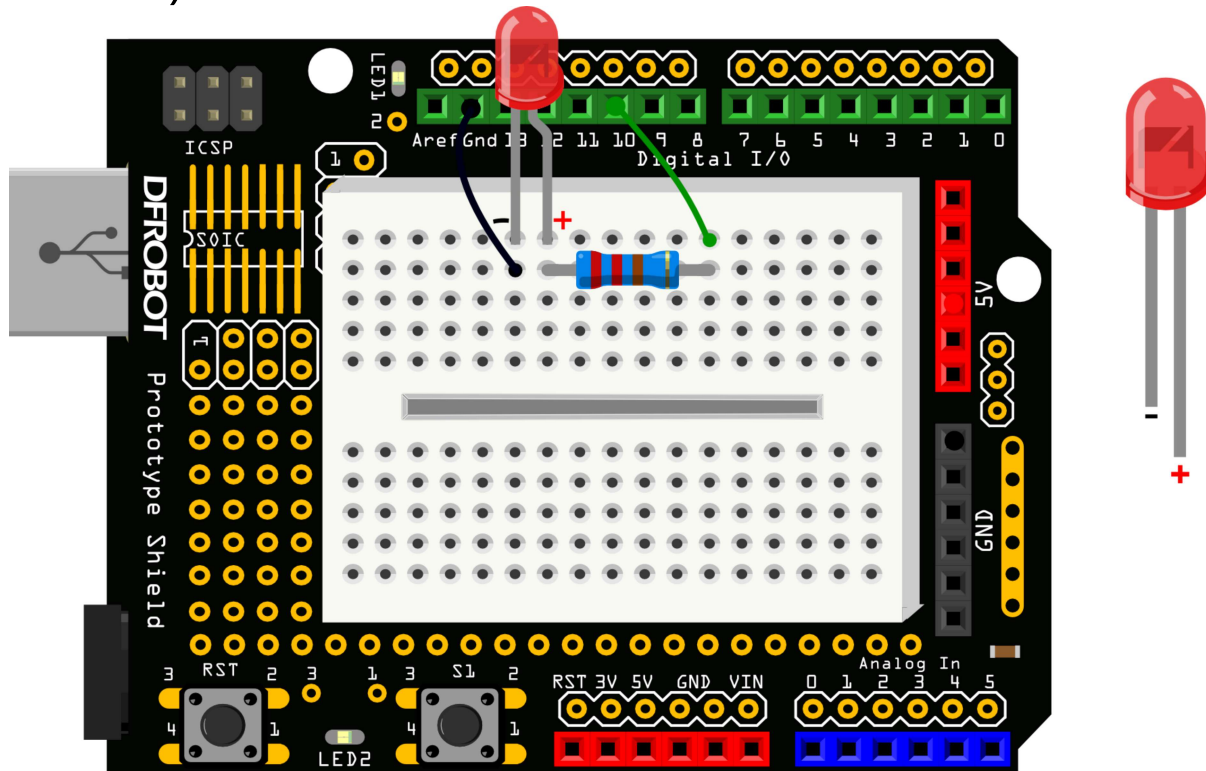
Introduction (<http://arduino.cc/en/Guide/Introduction>): What Arduino is and why you'd want to use it.

Installation: Step-by-step instructions for setting up the Arduino software and connecting it to an Arduino Uno.

Windows (<http://arduino.cc/en/Guide/Windows>) Mac OS X (<http://arduino.cc/en/Guide/MacOSX>) Environment (<http://arduino.cc/en/Guide/Environment>): Description of the Arduino development environment and how to change the default language. Libraries (<http://arduino.cc/en/Guide/Libraries>): Using and installing Arduino libraries.

Arduino Starter Kit Tutorial

Arduino Tutorial 1: Blinking a LED (<https://www.dfrobot.com/blog-589.html>)



```

/*
 # Description:
 # Turns on an LED on for one second, then off for one second, repeatedly.
*/
int ledPin = 10;
void setup() {
  pinMode(ledPin, OUTPUT);
}
void loop() {
  digitalWrite(ledPin,HIGH);
  delay(1000);
  digitalWrite(ledPin,LOW);
  delay(1000);
}

```

Arduino Tutorial 2: SOS Beacon (<https://www.dfrobot.com/blog-591.html>)

The connection diagram is the same with Blinking a LED tutorial.

```
/*
 # Description:
 # Send SOS Beacon by led
 */
int ledPin = 10;
void setup() {
    pinMode(ledPin, OUTPUT);
}
void loop() {

    // S(...) three dot
    for(int x=0;x<3;x++){
        digitalWrite(ledPin,HIGH);
        delay(150);
        digitalWrite(ledPin,LOW);
        delay(100);
    }

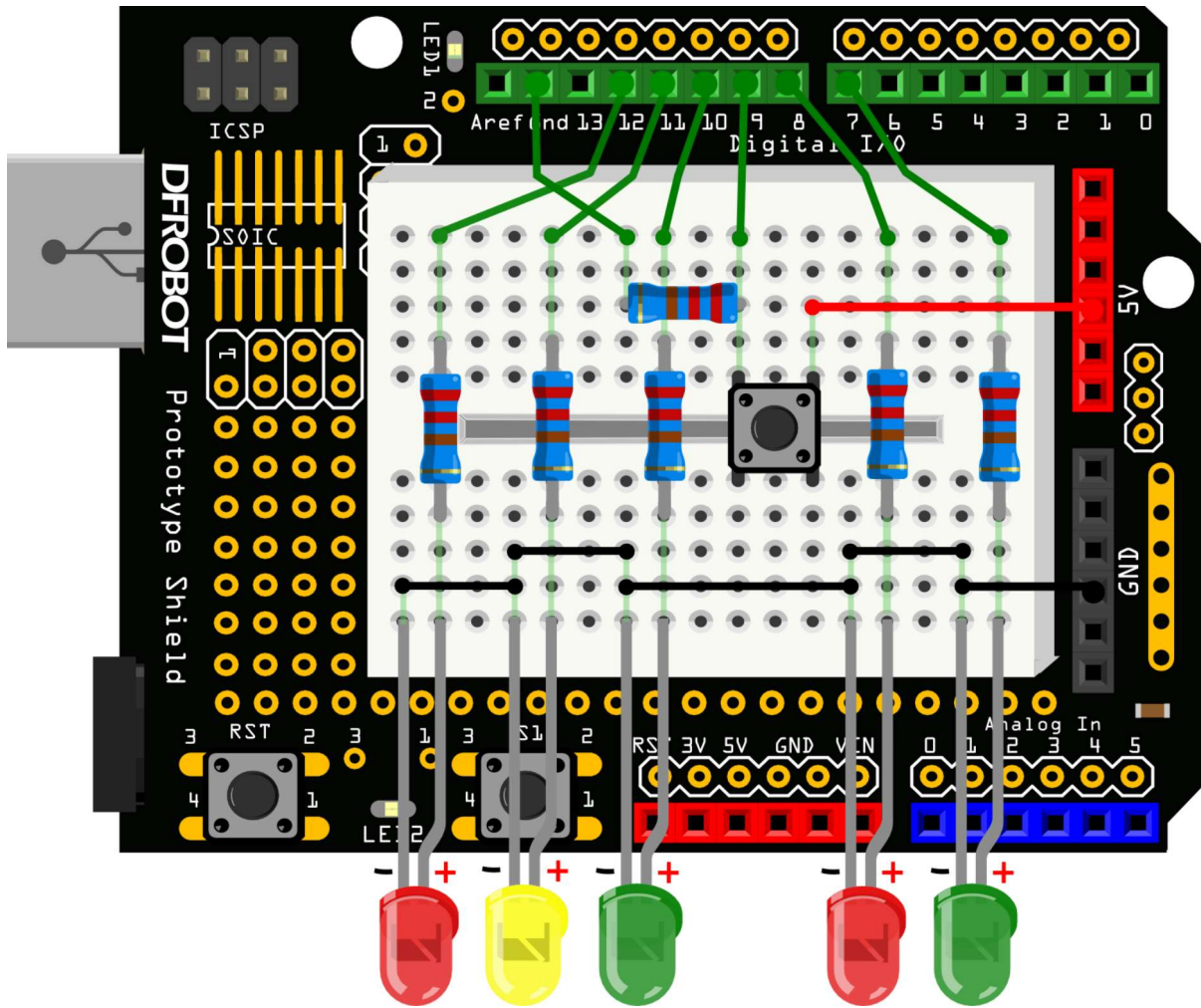
    delay(100);
    // O(---) three dash
    for(int x=0;x<3;x++){
        digitalWrite(ledPin,HIGH);
        delay(400);
        digitalWrite(ledPin,LOW);
        delay(100);
    }

    delay(100);

    //S(...) three dot
    for(int x=0;x<3;x++){
        digitalWrite(ledPin,HIGH);
        delay(150);
        digitalWrite(ledPin,LOW);
        delay(100);
    }

    delay(5000);
}
```

Arduino Tutorial 3: Traffic Light (<https://www.dfrobot.com/blog-595.html>)



```

/*
  Traffic Light
  This code copied from the book Beginning-Arduino.
*/
int carRed = 12; //assign the car lights
int carYellow = 11;
int carGreen = 10;
int button = 9; //button pin
int pedRed = 8; //assign the pedestrian lights
int pedGreen = 7;
int crossTime = 5000; //time for pedestrian to cross
unsigned long changeTime; //time since button pressed

void setup() {
  pinMode(carRed, OUTPUT);
  pinMode(carYellow, OUTPUT);
  pinMode(carGreen, OUTPUT);
  pinMode(pedRed, OUTPUT);
  pinMode(pedGreen, OUTPUT);
  pinMode(button, INPUT);
  digitalWrite(carGreen, HIGH); //turn on the green lights
  digitalWrite(pedRed, HIGH);
}

void loop() {
  int state = digitalRead(button);
  //check if button is pressed and it is over 5 seconds since last button press
  if(state == HIGH && (millis() - changeTime) > 5000){
    //call the function to change the lights
    changeLights();
  }
}

void changeLights() {
  digitalWrite(carGreen, LOW); //green off
  digitalWrite(carYellow, HIGH); //yellow on
  delay(2000); //wait 2 seconds

  digitalWrite(carYellow, LOW); //yellow off
  digitalWrite(carRed, HIGH); //red on
  delay(1000); //wait 1 second till its safe

  digitalWrite(pedRed, LOW); //ped red off
  digitalWrite(pedGreen, HIGH); //ped green on

  delay(crossTime); //wait for preset time period

  //flash the ped green
  for (int x=0; x<10; x++) {

```

```
        digitalWrite(pedGreen, HIGH);
    delay(250);
    digitalWrite(pedGreen, LOW);
    delay(250);
}

    digitalWrite(pedRed, HIGH); //turn ped red on
delay(500);

digitalWrite(carRed, LOW); //red off
digitalWrite(carYellow, HIGH); //yellow on
delay(1000);
digitalWrite(carYellow, LOW); //yellow off
    digitalWrite(carGreen, HIGH);

    changeTime = millis(); //record the time since last change of lights
    //then return to the main program loop
}
```

Arduino Tutorial 4: Fading Light (<https://www.dfrobot.com/blog-596.html>)

The connection diagram is the same with Blinking a LED tutorial.

```
/*
  Fading Light
  This example shows how to fade an LED on pin 10 using the analogWrite() function.
*/
int ledPin = 10;      // the pin that the LED is attached to

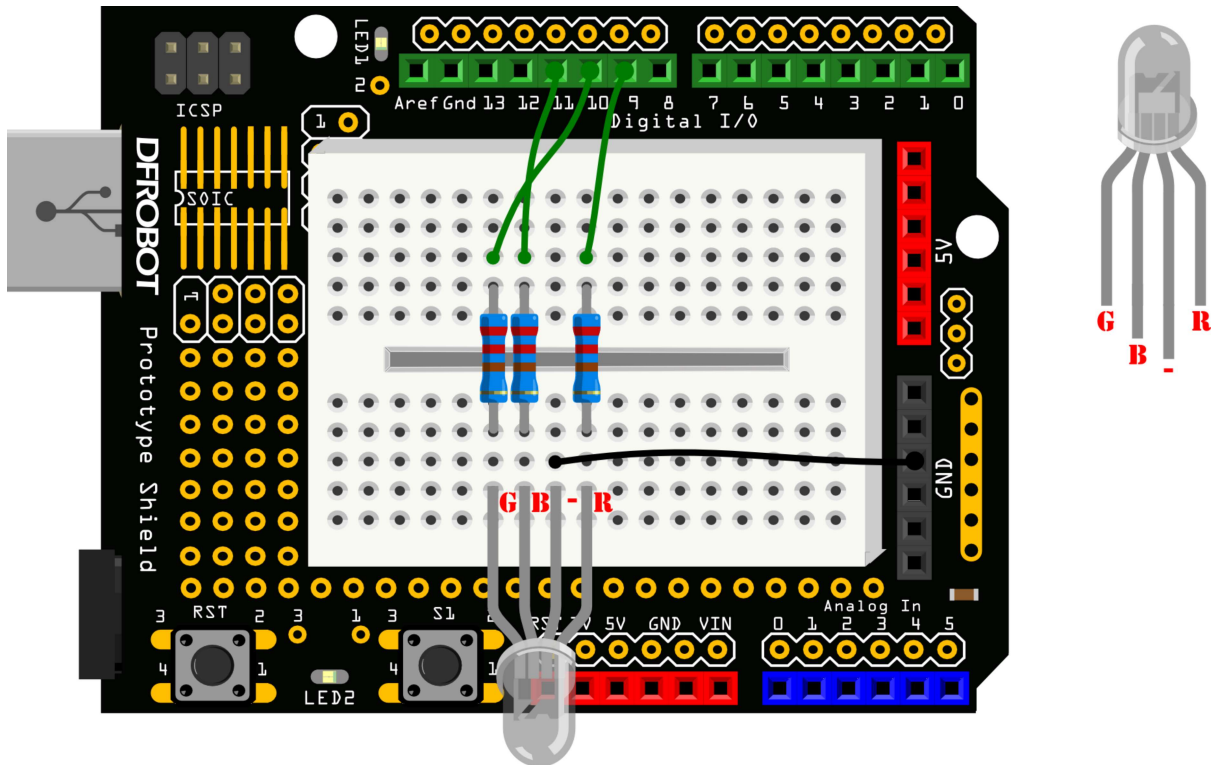
void setup() {
  // declare pin 9 to be an output:
  pinMode(ledPin,OUTPUT);
  // initialize serial communication at 9600 bits per second:
  Serial.begin(9600);
}

void loop(){
  fadeOn(1000,5);
  fadeOff(1000,5);
}

void fadeOn(unsigned int time,int increament){
  //change the brightness by FOR statement
  for (byte value = 0 ; value < 255; value +=increament){
    // print out the value:
    Serial.println(value);
    // set the brightness of pin 10:
    analogWrite(ledPin, value);
    delay(time/(255/5));
  }
}

void fadeOff(unsigned int time,int decreament){
  //change the brightness by FOR statement
  for (byte value = 255; value >0; value -=decreament){
    Serial.println(value);
    analogWrite(ledPin, value);
    delay(time/(255/5));
  }
}
```

Arduino Tutorial 5: RGB LED (<https://www.dfrobot.com/blog-597.html>)



```

/*
  RGB LED
*/
int redPin = 9;    // the pin that the red LED is attached to
int greenPin = 10; // the pin that the green LED is attached to
int bluePin = 11; // the pin that the blue LED is attached to

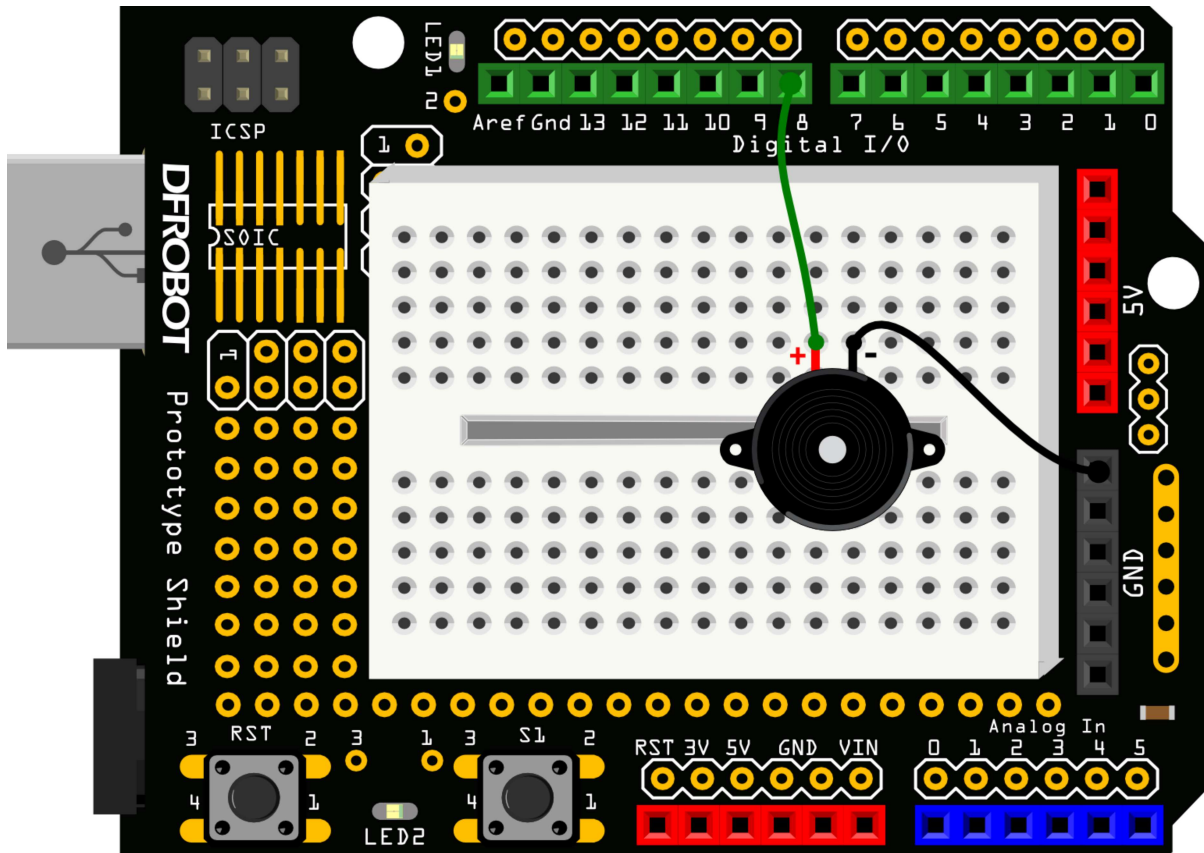
void setup(){
  pinMode(redPin, OUTPUT);
  pinMode(greenPin, OUTPUT);
  pinMode(bluePin, OUTPUT);
}

void loop(){
  // call the function to change the colors of LED randomly.
  colorRGB(random(0,255),random(0,255),random(0,255)); //R:0-255 G:0-255 B:0-255
  delay(1000);
}

void colorRGB(int red, int green, int blue){
  analogWrite(redPin,constrain(red,0,255));
  analogWrite(greenPin,constrain(green,0,255));
  analogWrite(bluePin,constrain(blue,0,255));
}

```

Arduino Tutorial 6: Alarm (<https://www.dfrobot.com/blog-599.html>)



```

/*
 Alarm
*/
float sinVal;
int toneVal;

void setup(){
  pinMode(8, OUTPUT);
}

void loop(){
  for(int x=0; x<180; x++){
    // convert degrees to radians then obtain value
    sinVal = (sin(x*(3.1412/180)));
    // generate a frequency from the sin value
    toneVal = 2000+(int(sinVal*1000));
    tone(8, toneVal);
    delay(2);
  }
}

```

Arduino Tutorial 7: Temperature Alarm (<https://www.dfrobot.com/blog-600.html>)


```
/*
  Temperature Alarm
*/
float sinVal;
int toneVal;
unsigned long tepTimer ;

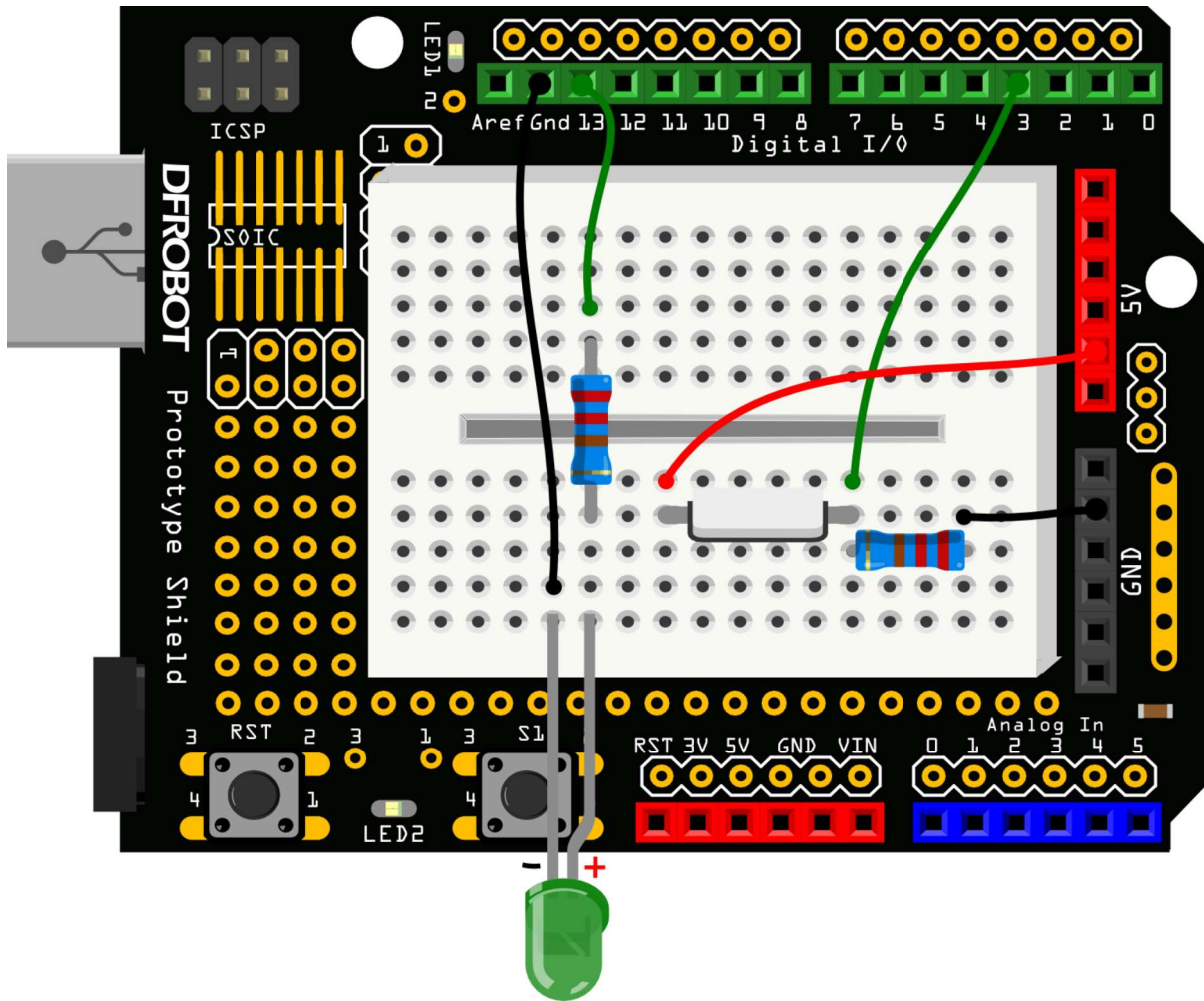
void setup(){
  pinMode(8, OUTPUT);
  Serial.begin(9600);
}

void loop(){
  int val;
  double data;
  val=analogRead(0);
  data = (double) val * (5/10.24); // convert the voltage to temperature

  if(data>27){          // If the temperture is over 27 degree, buzzer will alarm.
    for(int x=0; x<180; x++){
      sinVal = (sin(x*(3.1412/180)));
      toneVal = 2000+(int(sinVal*1000));
      tone(8, toneVal);
      delay(2);
    }
  } else { // If the temperturn is below 27 degree, buzzer will not alarm
    noTone(8);
  }

  if(millis() - tepTimer > 500){ // output the temperature value per 500ms
    tepTimer = millis();
    Serial.print("temperature: ");
    Serial.print(data);
    Serial.println("C");
  }
}
```

Arduino Tutorial 8: Detecting vibration (<https://www.dfrobot.com/blog-601.html>)



```
/*
  Detecting vibration
*/

int SensorLED = 13;      //LED PIN
int SensorINPUT = 3;    //Connect the sensor to digital Pin 3 which is Interrupts 1
unsigned char state = 0;

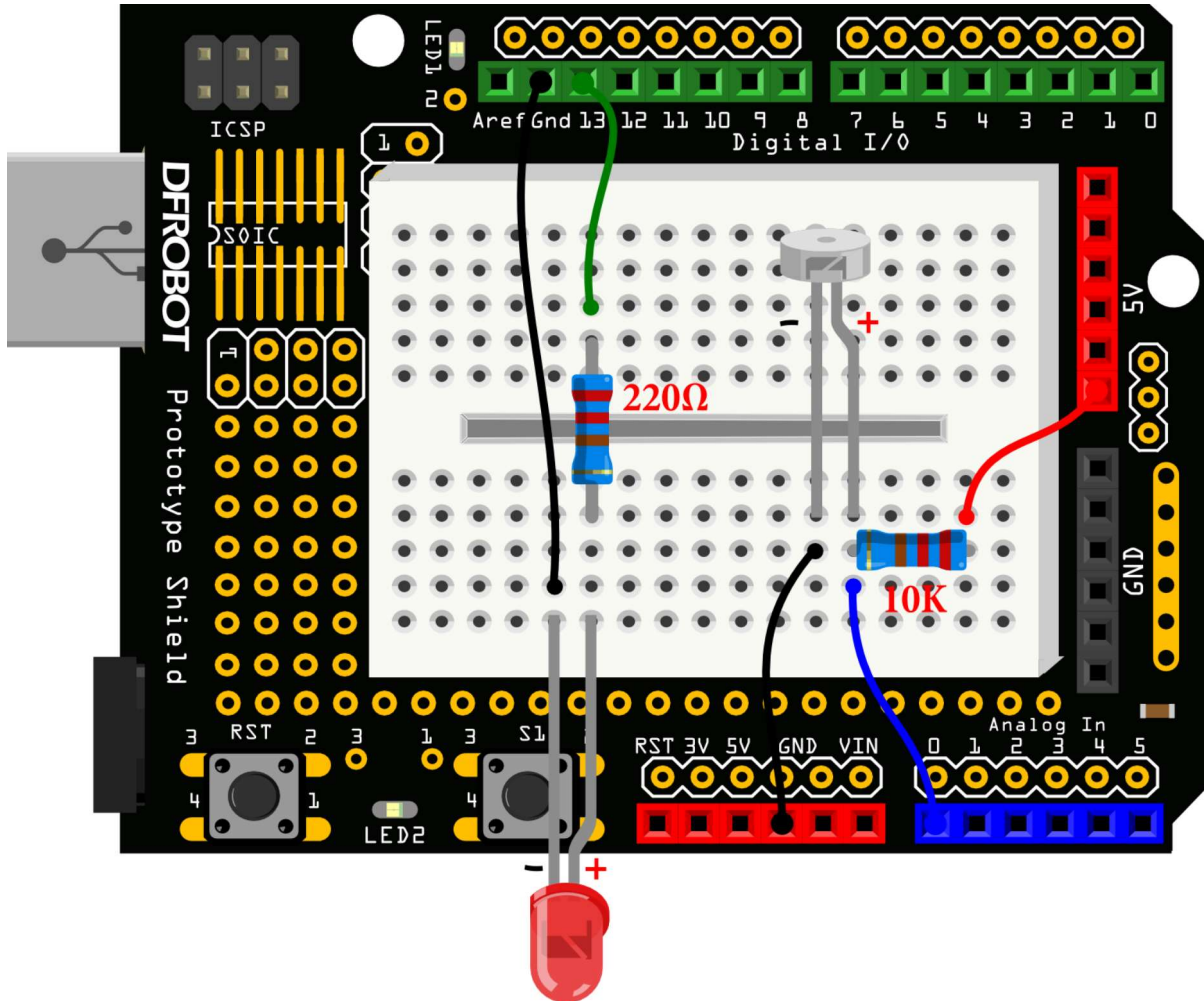
void setup() {
  pinMode(SensorLED, OUTPUT);
  pinMode(SensorINPUT, INPUT);

  // Trigger the blink function when the falling edge is detected
  attachInterrupt(1, blink, RISING);
}

void loop(){
  if(state!=0){
    state = 0;
    digitalWrite(SensorLED,HIGH);
    delay(500);
  }
  else
    digitalWrite(SensorLED,LOW);
}

void blink(){           //Interrupts function
  state++;
}
```

Arduino Tutorial 9: Ambient Light controlled LED (<https://www.dfrobot.com/blog-611.html>)



```

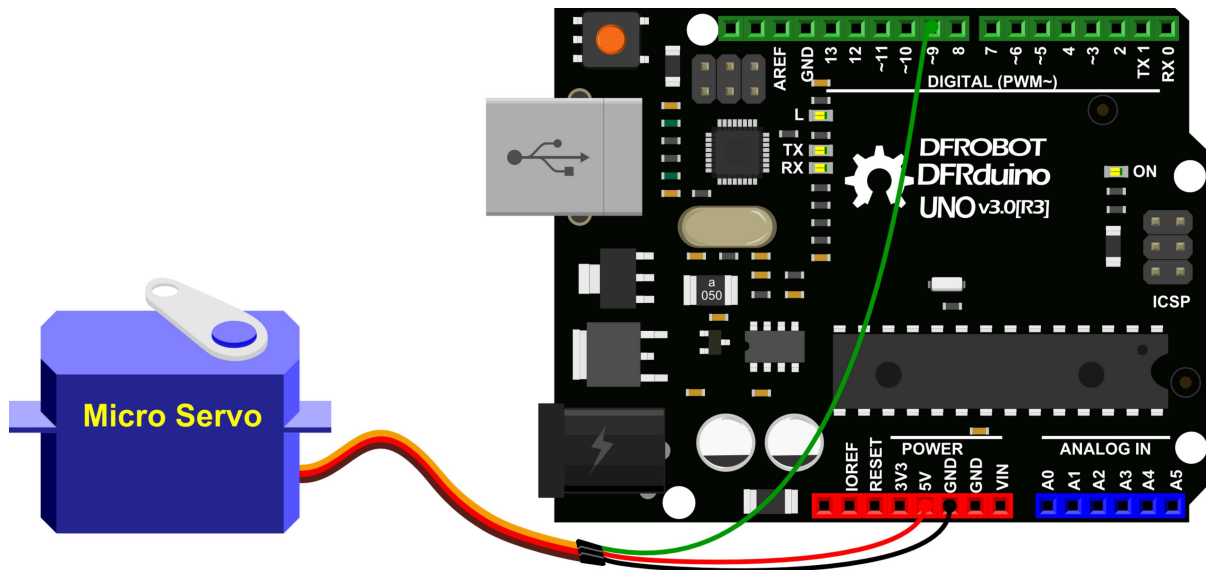
/*
  Ambient Light controlled LED
*/
int LED = 13;           //Led pin
int val = 0;

void setup(){
  pinMode(LED,OUTPUT);
  Serial.begin(9600);
}

void loop(){
  val = analogRead(0); // read voltage value
  Serial.println(val);
  if(val<1000){        // if the value is less than 1000, LED turns off
    digitalWrite(LED,LOW);
  }else{               // if the value is more than 1000, LED turns on
    digitalWrite(LED,HIGH);
  }
  delay(10);
}

```

Arduino Tutorial 10: Moving a Servo (<https://www.dfrobot.com/blog-612.html>)



```
// Moving a Servo
// by BARRAGAN <http://barraganstudio.com>
// This example code is in the public domain.

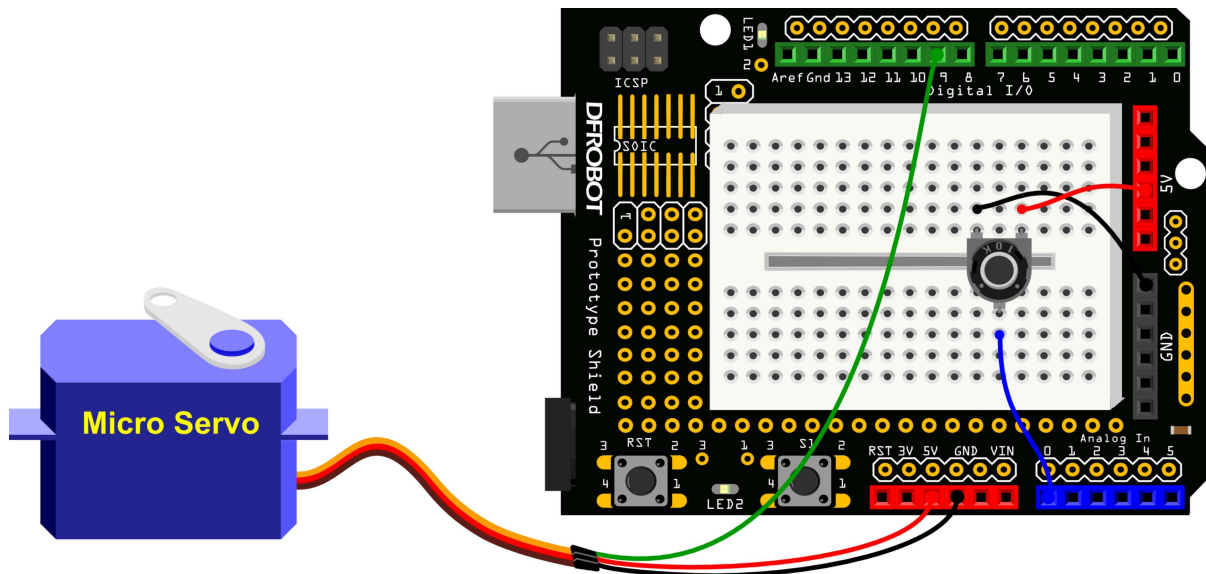
#include <Servo.h>
Servo myservo;          // create servo object to control a servo
                        // a maximum of eight servo objects can be created
int pos = 0;           // variable to store the servo position

void setup() {
  myservo.attach(9);  // attaches the servo on pin 9 to the servo object
}

void loop() {
  for(pos = 0; pos < 180; pos += 1){ // goes from 0 degrees to 180 degrees
    // in steps of 1 degree
    myservo.write(pos);              // tell servo to go to position in variable 'pos'
    delay(15);                       // waits 15ms for the servo to reach the position
  }

  for(pos = 180; pos>=1; pos--=1) { // goes from 180 degrees to 0 degrees
    // tell servo to go to position in variable 'pos'
    myservo.write(pos);
    delay(15);                       // waits 15ms for the servo to reach the position
  }
}
```

Arduino Tutorial 11: Interact with Servo



```

/*
  Interact with Servo
  Controlling a servo position using a potentiometer (variable resistor)
  by Michal Rinott <http://people.interaction-ivrea.it/m.rinott>
  */

#include <Servo.h>
Servo myservo;           // create servo object to control a servo

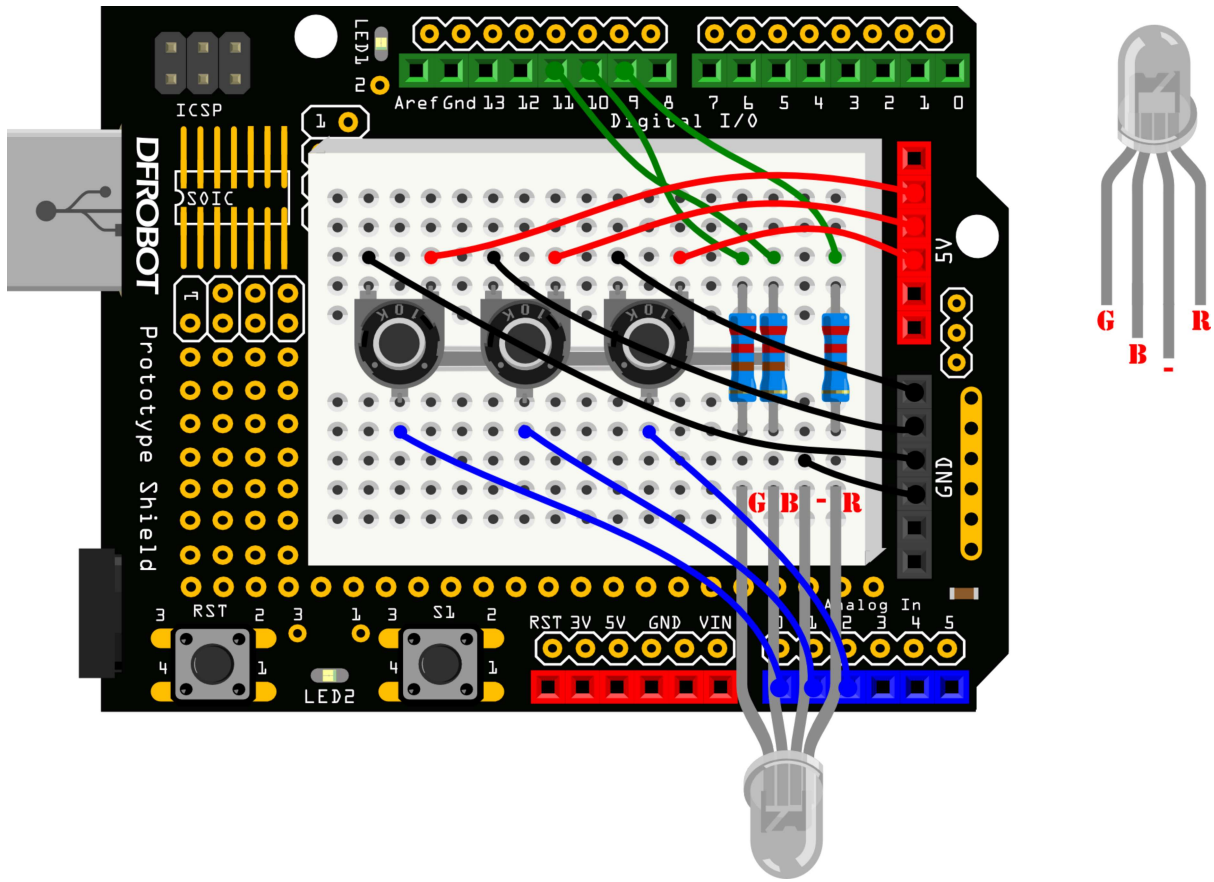
int potpin = 0;         // analog pin used to connect the potentiometer
int val;                // variable to read the value from the analog pin

void setup() {
  myservo.attach(9);    // attaches the servo on pin 9 to the servo object
}

void loop() {
  val = analogRead(potpin); // reads the value of the potentiometer (value between
  val = map(val, 0, 1023, 0, 179); // scale it to use it with the servo (value between 0
  myservo.write(val); // sets the servo position according to the scaled val
  delay(15); // waits for the servo to get there
}

```

Arduino Tutorial 12: RGB Light Dimmer



```
/*
  RGB Light Dimmer
*/
int redPin = 9;           // R - digital 9
int greenPin = 10;       // G - digital 10
int bluePin = 11;        // B - digital 11
int potRedPin = 0;       // potentiometer 1 - analog 0
int potGreenPin = 1;     // potentiometer 2 - analog 1
int potBluePin = 2;      // potentiometer 3 - analog 2

void setup(){
  pinMode(redPin,OUTPUT);
  pinMode(greenPin,OUTPUT);
  pinMode(bluePin,OUTPUT);
  Serial.begin(9600);
}

void loop(){
  int potRed = analogRead(potRedPin);
  int potGreen = analogRead(potGreenPin);
  int potBlue = analogRead(potBluePin);

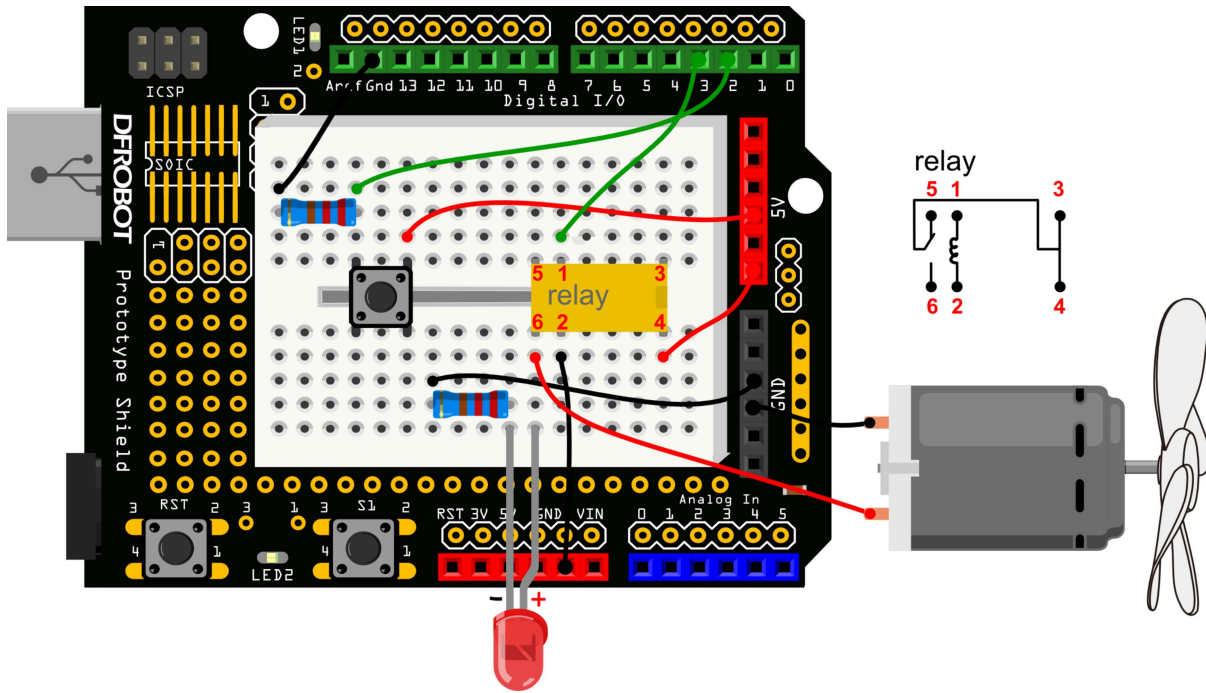
  int val1 = map(potRed,0,1023,0,255);
  int val2 = map(potGreen,0,1023,0,255);
  int val3 = map(potBlue,0,1023,0,255);

  Serial.print("Red:");
  Serial.print(val1);
  Serial.print("Green:");
  Serial.print(val2);
  Serial.print("Blue:");
  Serial.println(val3);

  colorRGB(val1,val2,val3);
}

void colorRGB(int red, int green, int blue){
  analogWrite(redPin,constrain(red,0,255));
  analogWrite(greenPin,constrain(green,0,255));
  analogWrite(bluePin,constrain(blue,0,255));
}
```

Arduino Tutorial 13: Motor Fan



```
/*
  Motor Fan
*/

int buttonPin = 2;           // button pin -- Digital 2
int relayPin = 3;           // relay pin -- Digital 3
int relayState = HIGH;
int buttonState;
int lastButtonState = LOW;
long lastDebounceTime = 0;
long debounceDelay = 50;

void setup() {
  pinMode(buttonPin, INPUT);
  pinMode(relayPin, OUTPUT);

  digitalWrite(relayPin, relayState);
}

void loop() {
  // read the state of the switch into a local variable:
  int reading = digitalRead(buttonPin);

  // check to see if you just pressed the button
  // (i.e. the input went from LOW to HIGH), and you've waited
  // long enough since the last press to ignore any noise:

  // If the switch changed, due to noise or pressing:
  if (reading != lastButtonState) {
    lastDebounceTime = millis();
  }

  if ((millis() - lastDebounceTime) > debounceDelay) {
    // whatever the reading is at, it's been there for longer
    // than the debounce delay, so take it as the actual current state:

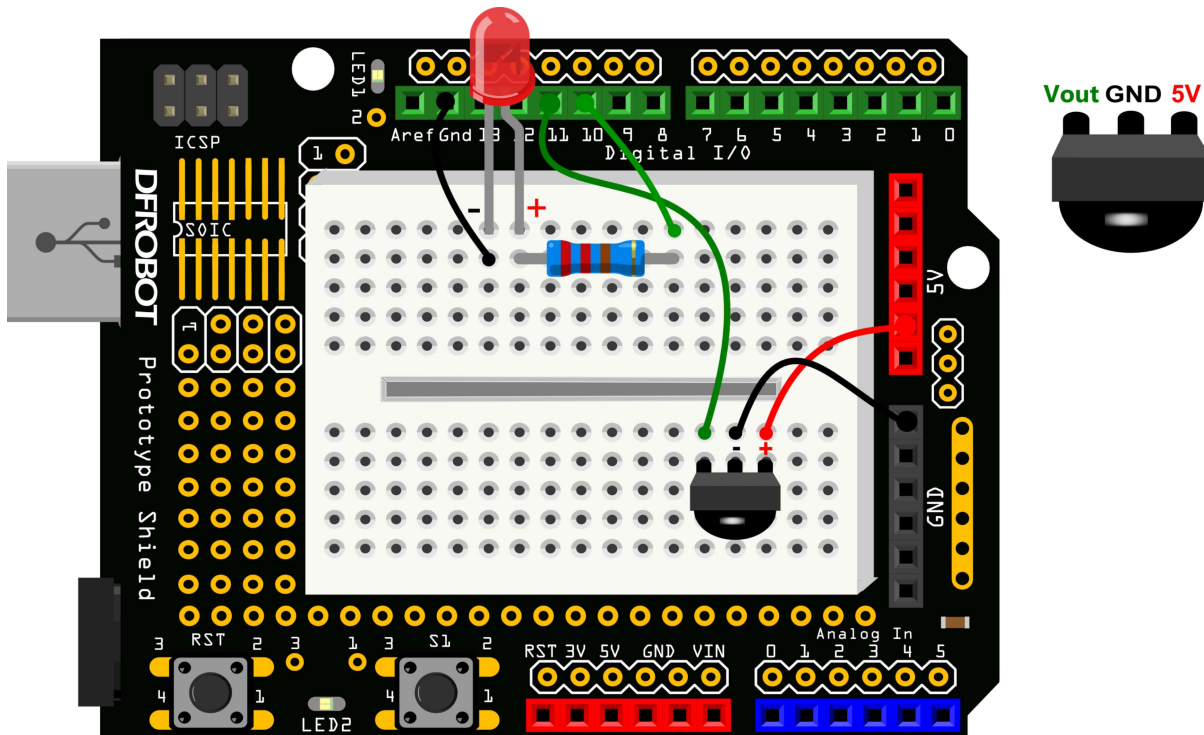
    // if the button state has changed:
    if (reading != buttonState) {
      buttonState = reading;

      // only toggle the Relay if the new button state is HIGH
      if (buttonState == HIGH) {
        relayState = !relayState;
      }
    }
  }

  // set the relay:
  digitalWrite(relayPin, relayState);
}
```

```
// save the reading. Next time through the loop,
// it'll be the lastButtonState:
lastButtonState = reading;
}
```

Arduino Tutorial 14: Infrared controlled Light



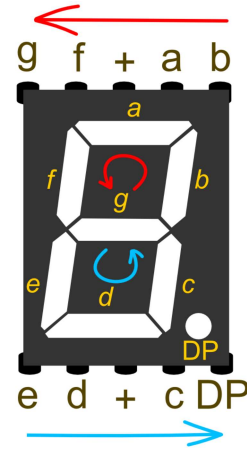
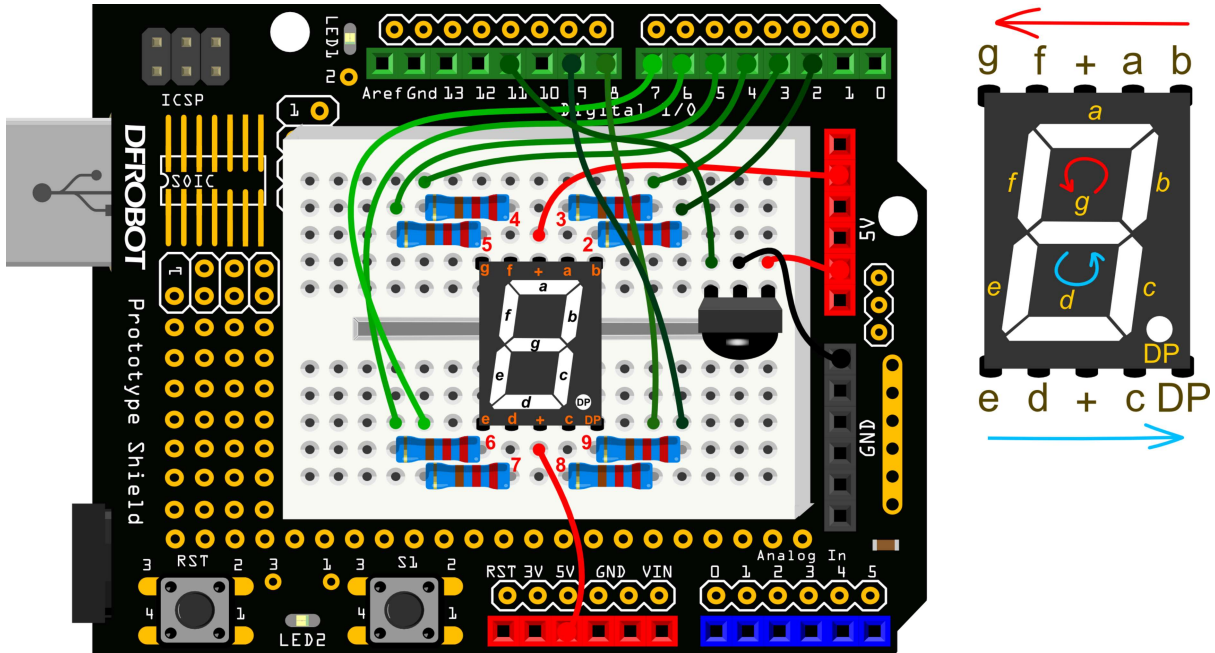
```
/*
   Infrared controlled Light
*/
#include <IRremote.h>
int RECV_PIN = 11;
int ledPin = 10;
boolean ledState = LOW;
IRrecv irrecv(RECV_PIN);
decode_results results;

void setup(){
  Serial.begin(9600);
  irrecv.enableIRIn();
  pinMode(ledPin,OUTPUT);
}

void loop() {
  if (irrecv.decode(&results)) {
    Serial.println(results.value, HEX);

    if(results.value == 0xFD00FF){
      ledState = !ledState;
      digitalWrite(ledPin,ledState);
    }
    irrecv.resume();
  }
}
```

Arduino Tutorial 15: Infrared controlled LED Matrix



```

#include <IRremote.h>
int RECV_PIN = 11;
IRrecv irrecv(RECV_PIN);
decode_results results;
int currentNumber = 0;

long codes[12]=          // this array is used to store infrared codes
{
    0xFD30CF,0xFD08F7,          // 0 ,1
    0xFD8877,0xFD48B7,          // 2 ,3
    0xFD28D7,0xFDA857,          // 4 ,5
    0xFD6897,0xFD18E7,          // 6 ,7
    0xFD9867,0xFD58A7,          // 8 ,9
    0xFD20DF,0xFD609F,          // advance, move back
};

int number[10][8] =          //the array is used to store the number 0~9
{
    {0,0,0,1,0,0,0,1},//0
    {0,1,1,1,1,1,0,1},//1
    {0,0,1,0,0,0,1,1},//2
    {0,0,1,0,1,0,0,1},//3
    {0,1,0,0,1,1,0,1},//4
    {1,0,0,0,1,0,0,1},//5
    {1,0,0,0,0,0,0,1},//6
    {0,0,1,1,1,1,0,1},//7
    {0,0,0,0,0,0,0,1},//8
    {0,0,0,0,1,1,0,1} //9
};

void numberShow(int i) {          //this function is used to display numbers
    for(int pin = 2; pin <= 9 ; pin++){
        digitalWrite(pin, number[i][pin - 2]);
    }
}

void setup(){
    Serial.begin(9600);
    irrecv.enableIRIn();

    for(int pin = 2 ; pin <= 9 ; pin++){
        pinMode(pin, OUTPUT);
        digitalWrite(pin, HIGH);
    }
}

void loop() {
    if (irrecv.decode(&results)) {
        for(int i = 0; i <= 11; i++){

```



```

if(results.value == codes[i]&& i <= 9){
    numberShow(i); // display number 0~9 on the digital control
    currentNumber = i;
    Serial.println(i);
    break;
}

else if(results.value == codes[10]&& currentNumber != 0){
    currentNumber--;
    numberShow(currentNumber);
    Serial.println(currentNumber);
    break;
}

//
else if(results.value == codes[11]&& currentNumber != 9){
    currentNumber++;
    numberShow(currentNumber);
    Serial.println(currentNumber);
    break;
}
}

Serial.println(results.value, HEX);
irrecv.resume();
}
}

```

FAQ

Q&A	Some general Arduino Problems/FAQ/Tips
Q	I have to say that I am loving the kit. I just wanted to let you know of an issue that I have encountered. In projects 11 and 12 of the kit, it requires the use of the 3 potentiometers. The problem is that the terminals of the potentiometers do not fit across into the sockets on the Prototyping Shield nor the provided breadboard. They are too wide.
A	Hello, your feedback is very precious to us. Just as you said, the potentiometer couldn't be inserted to the hole easily, but with some strength to push it downward, it could be done. I've attached a picture about it. Btw, we will consider to upgrade it.

More Documents

- Old Version
 - V2 wiki (https://www.dfrobot.com/wiki/index.php?title=DFRduino_Beginner_Kit_For_Arduino__SKU:DFR0100_)

- o V2 tutorial (<https://www.dfrobot.com/wiki/index.php?title=Tutorial>)



Get **DFRduino Beginner Kit For Arduino V3 SKU DFR0100**

(<https://www.dfrobot.com/product-345.html>) from DFRobot Store or **DFRobot Distributor**.

(<https://www.dfrobot.com/index.php?route=information/distributorslogo>)

Turn to the Top